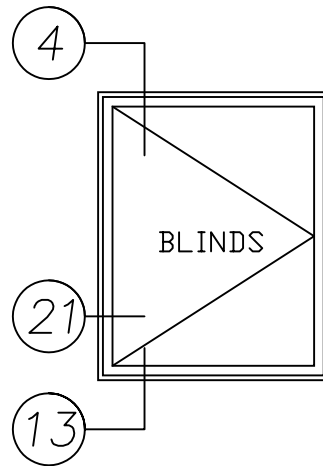
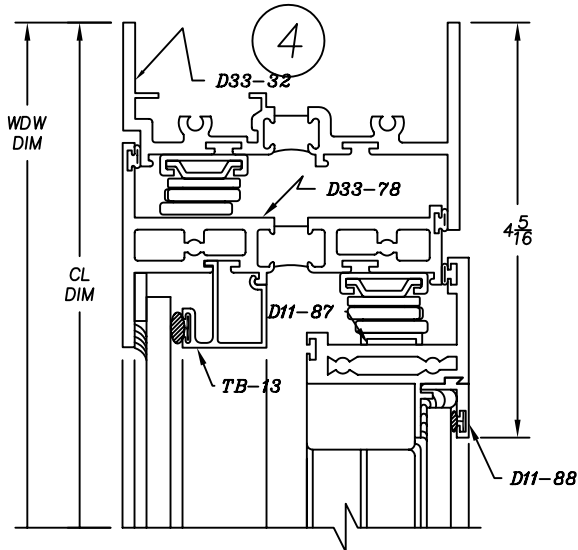


# 3375 Series

3-1/2" Heavy Commercial  
Thermally Improved Blind Window



*Right Hand Out-Swing Casement*

