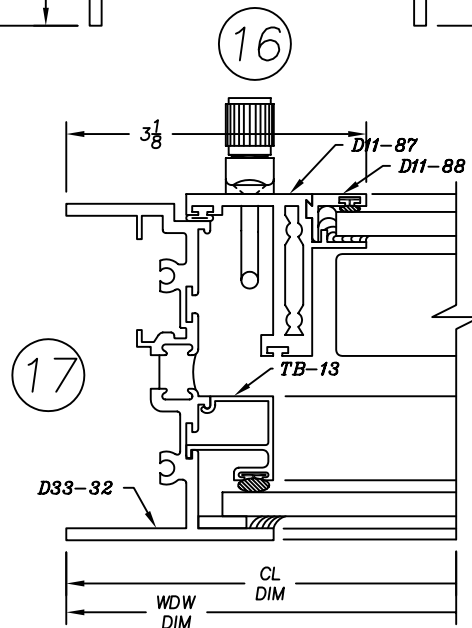
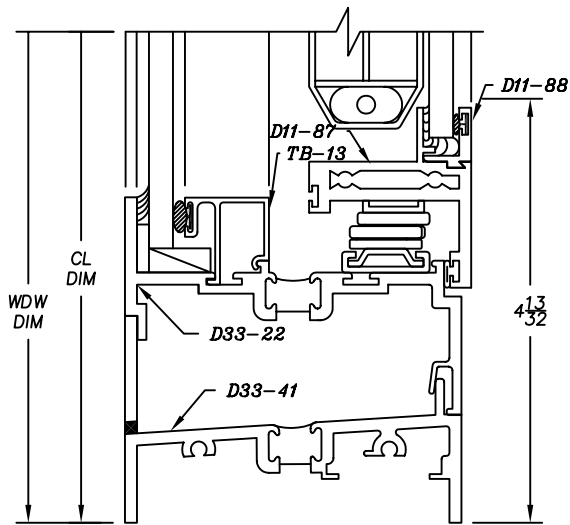
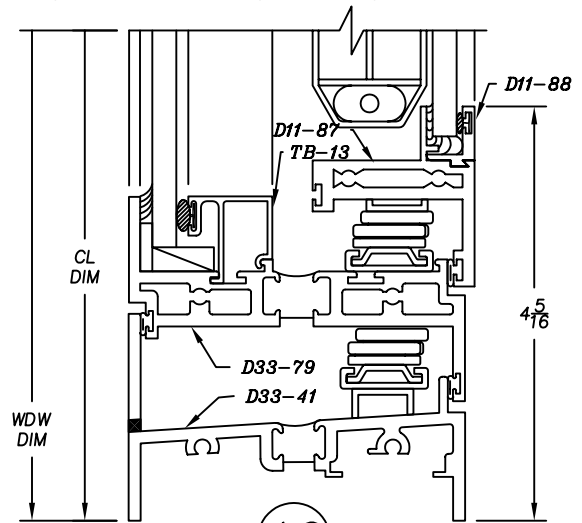
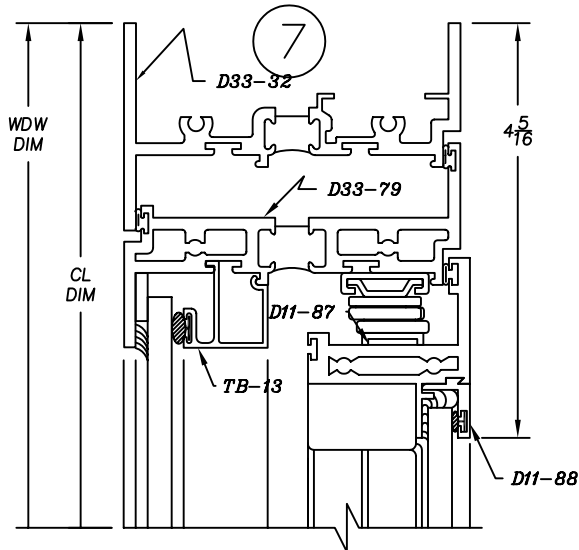
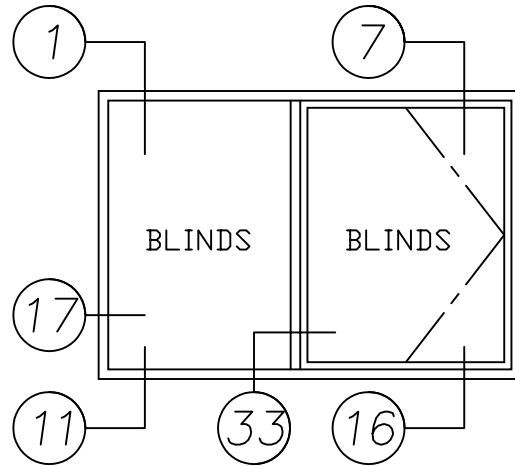
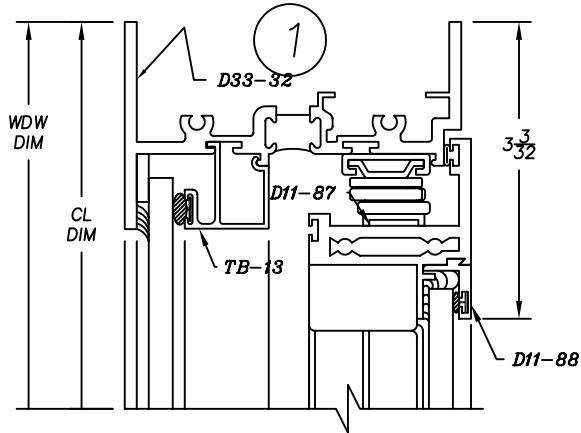
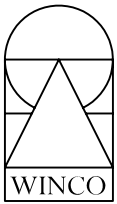


# 3375 Series

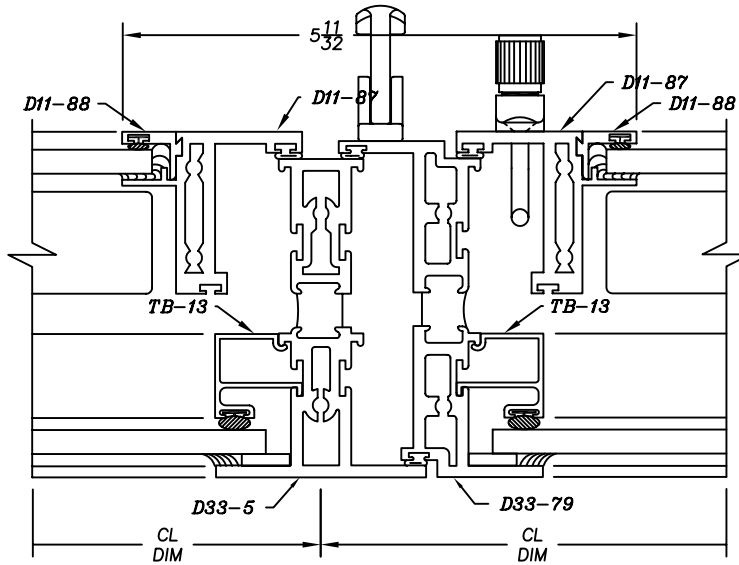
3-1/2" Heavy Commercial  
Thermally Improved Blind Window





# 3375 Series

3-1/2" Heavy Commercial  
Thermally Improved Blind Window



33