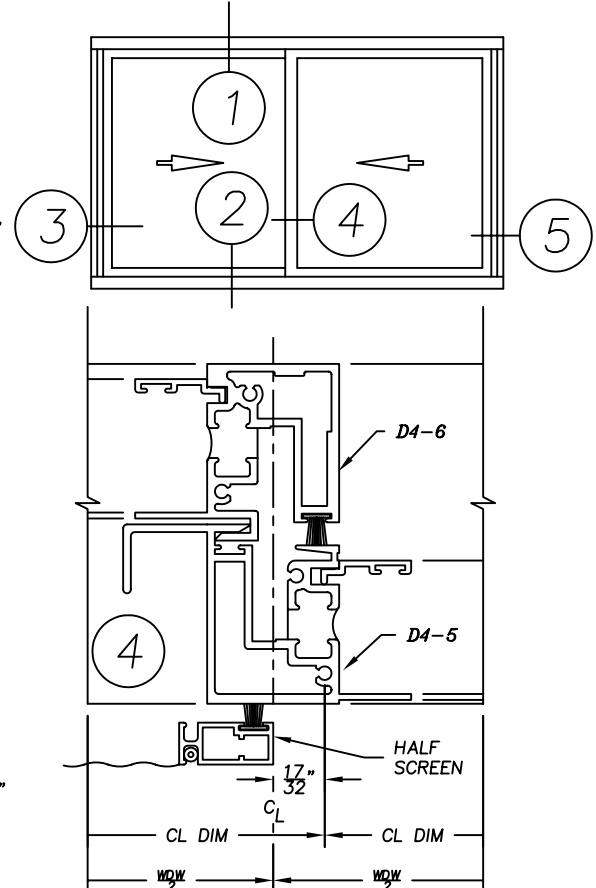
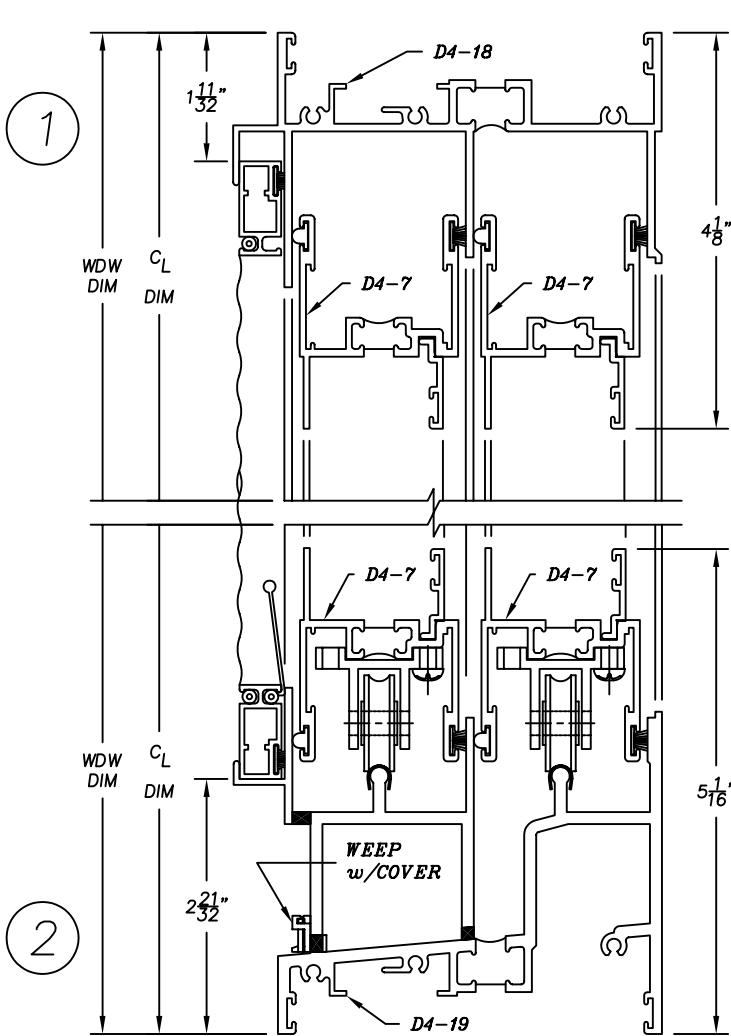
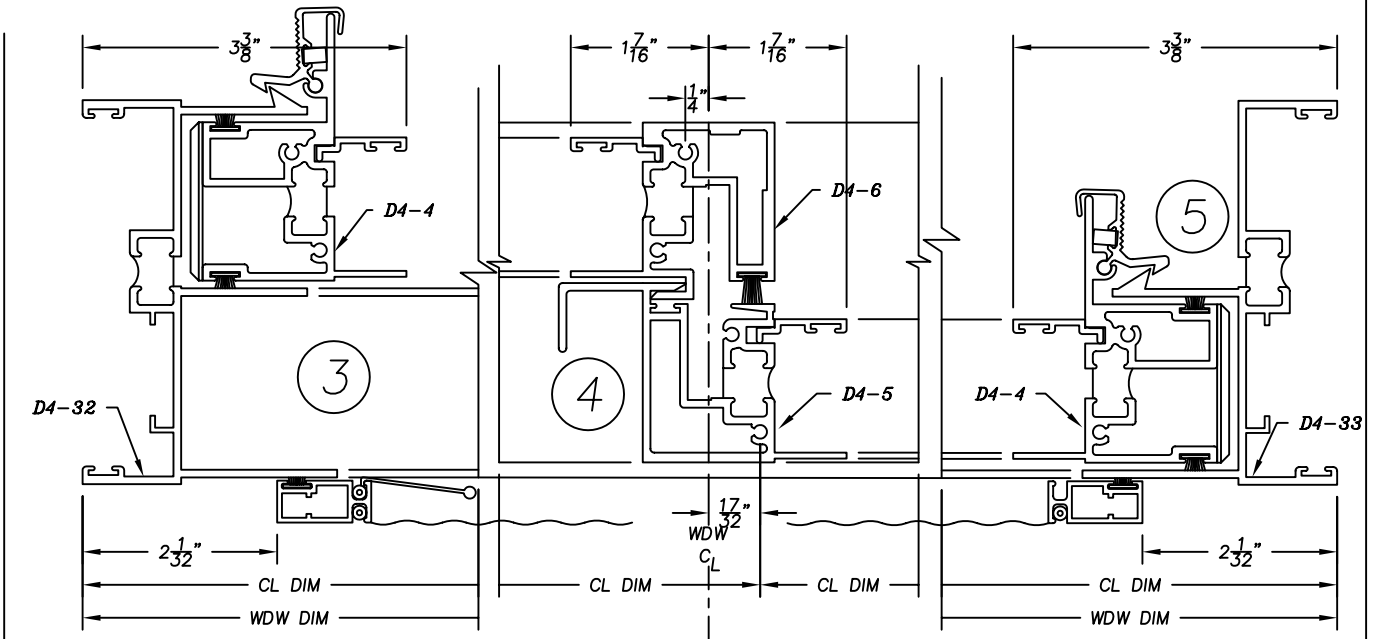


3400 Series

4" Heavy Commercial
Thermally Improved Dual Slider



3400 Series Screen Rules

- Width = Window - 4 - 1/16" (Full Screen)
- Width = $\frac{\text{Window}}{2}$ - 1 - 29/32" (Half Screen)
- Width = Sash CL - 1 - 7/8" (1/3 Screen)
- Height = Window - 4"