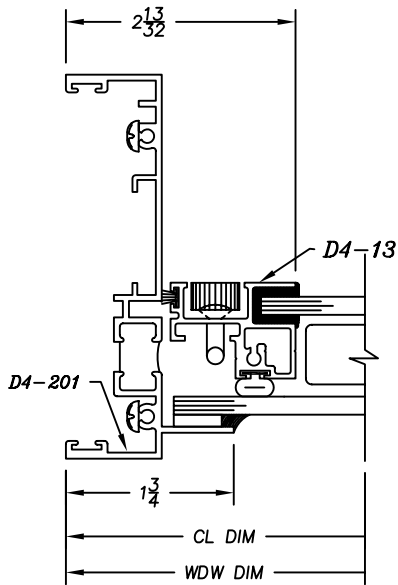
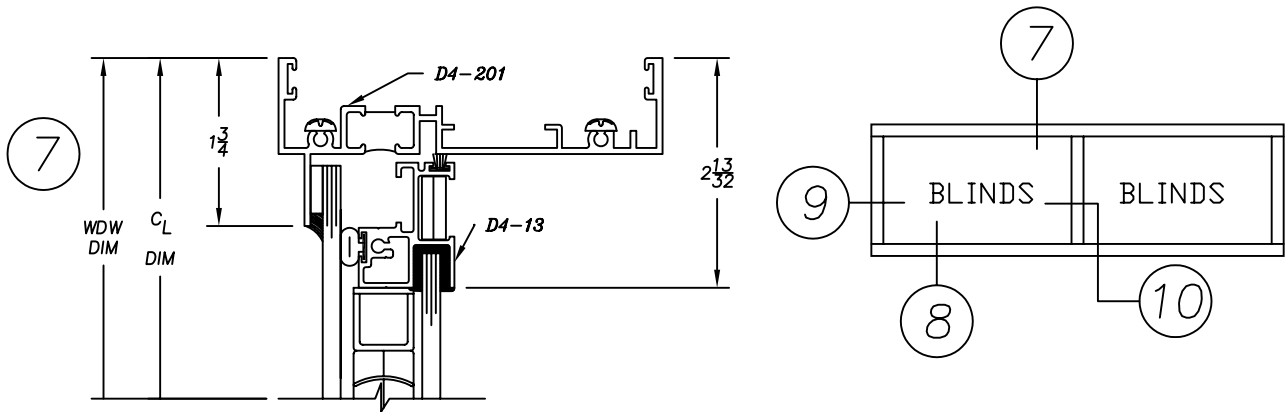


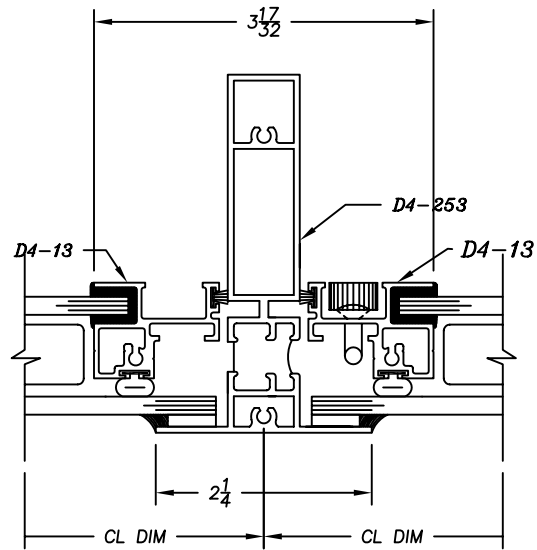
3465 Series

4" Heavy Commercial

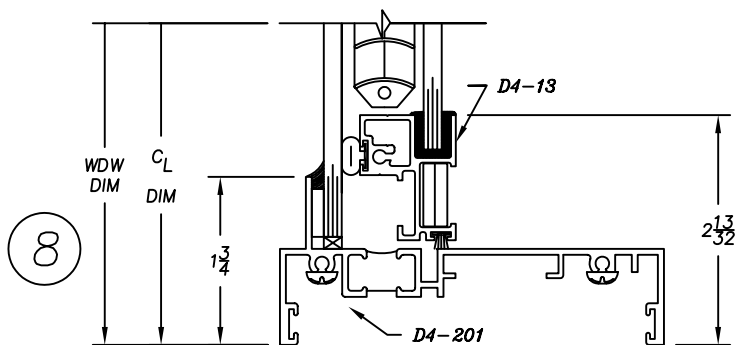
Thermally Improved Dual Slider w/Blinds



9



10



8