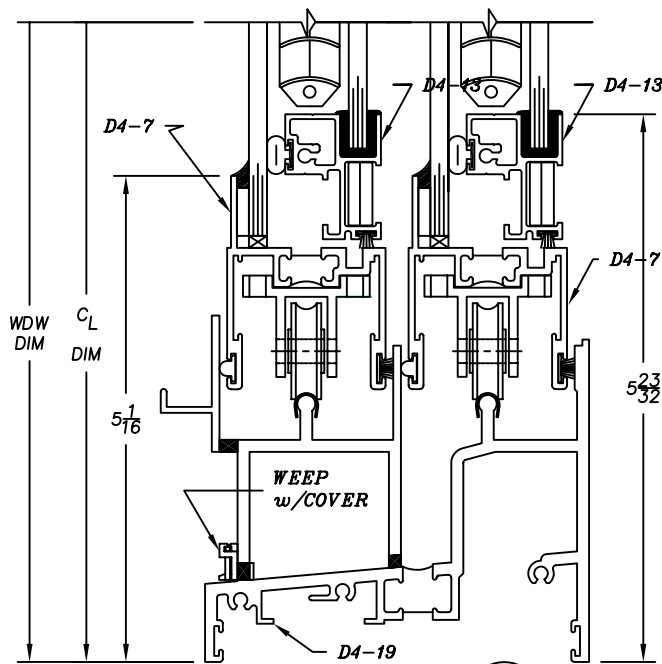
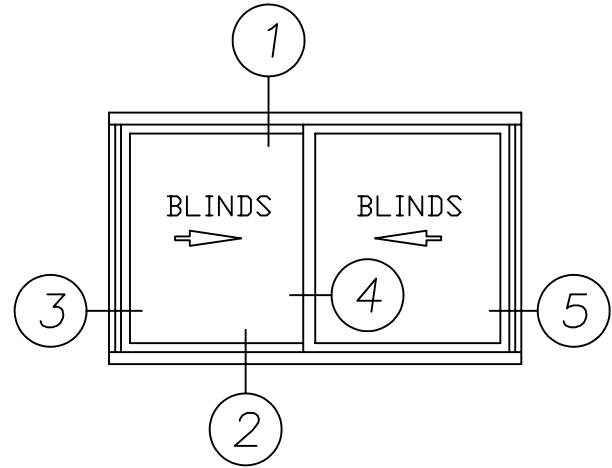
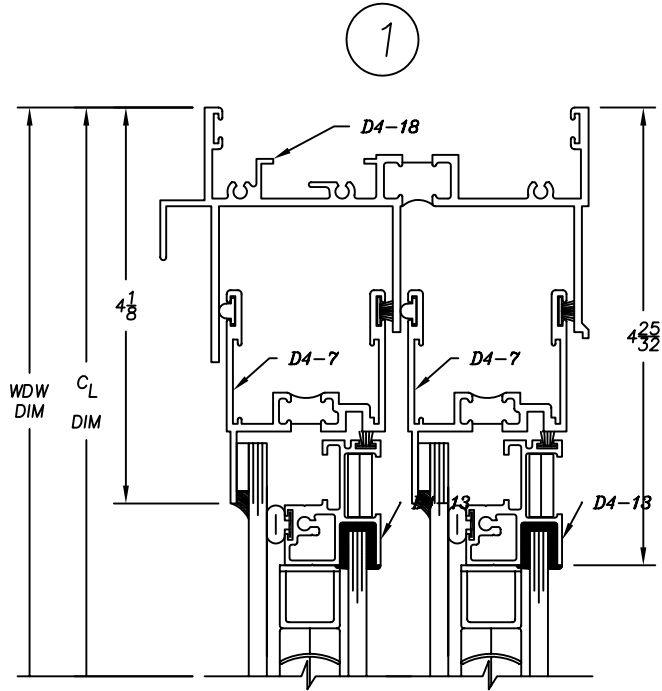


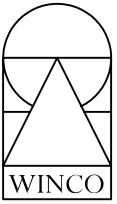
# 3465 Series

4" Heavy Commercial

Thermally Improved Dual Slider w/Blinds



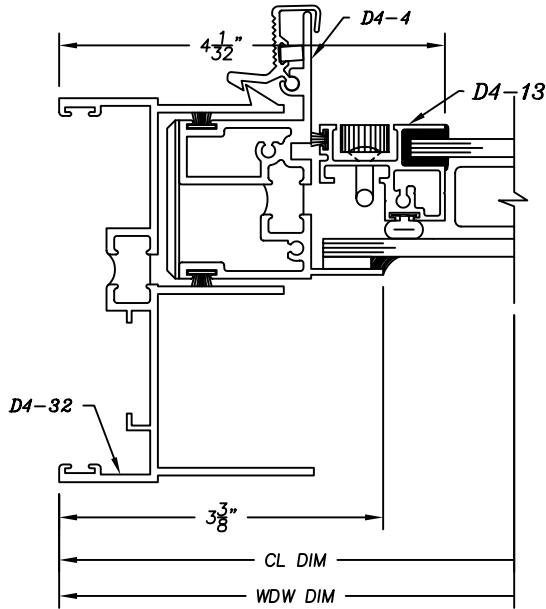
2



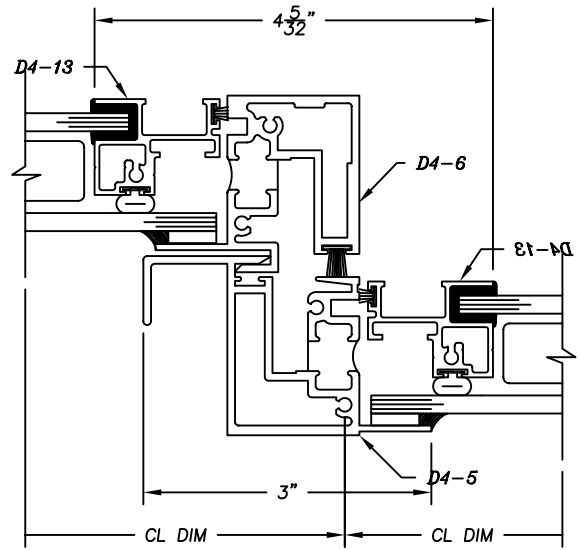
# 3465 Series

4" Heavy Commercial

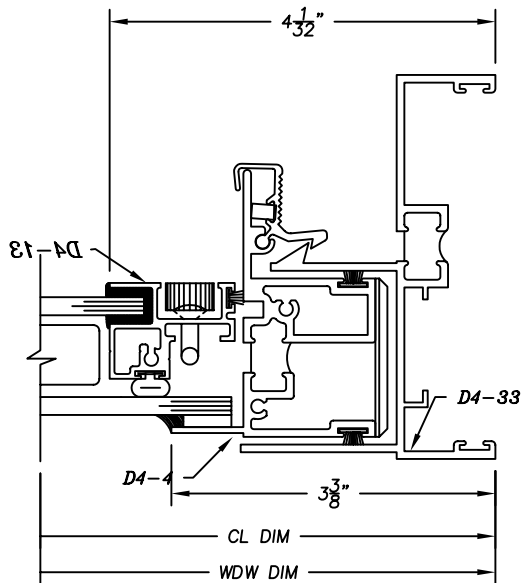
Thermally Improved Dual Slider w/Blinds



3



4



5