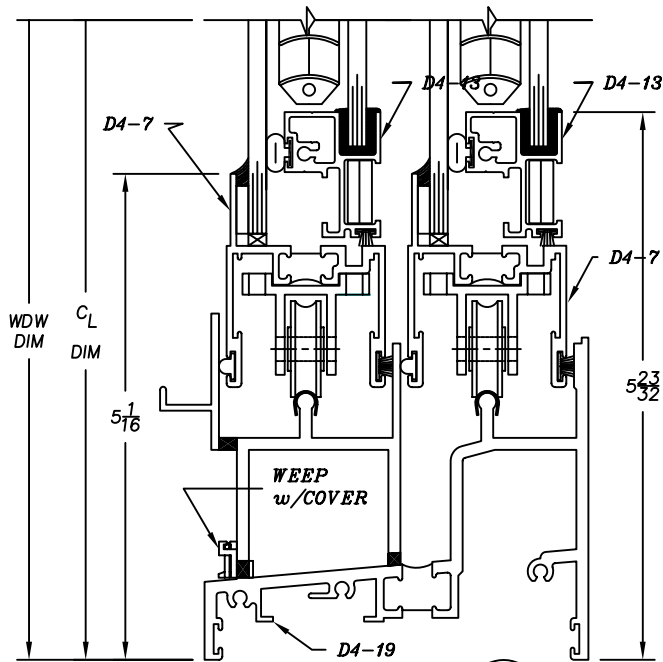
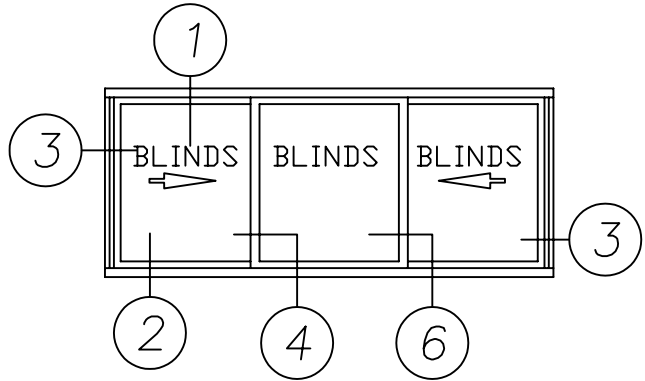
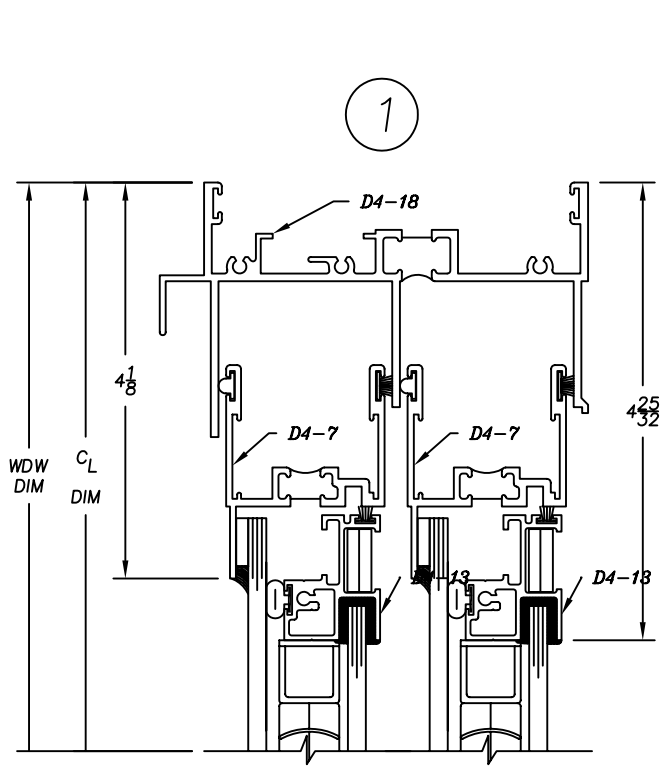
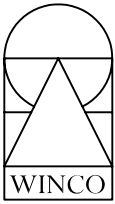


3465 Series

4" Heavy Commercial

Thermally Improved Dual Slider w/Blinds

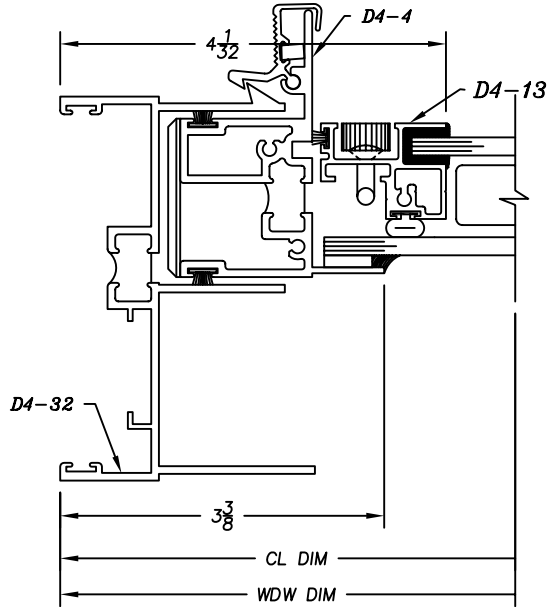




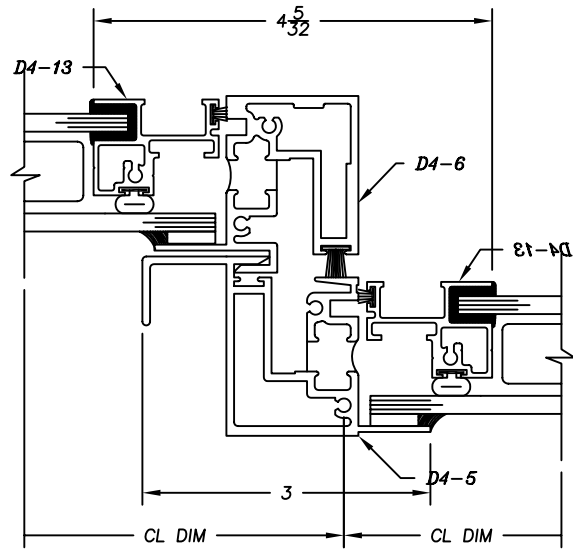
3465 Series

4" Heavy Commercial

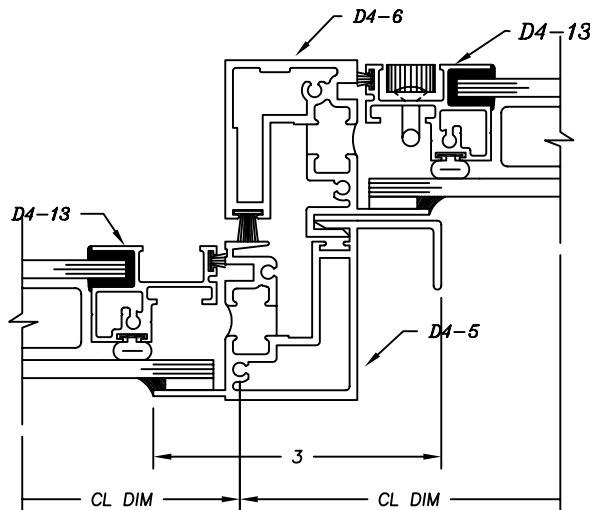
Thermally Improved Dual Slider w/Blinds



3



4



6