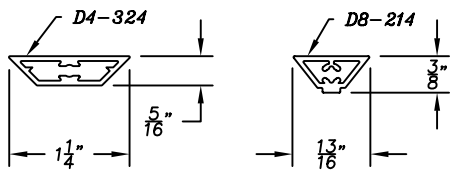
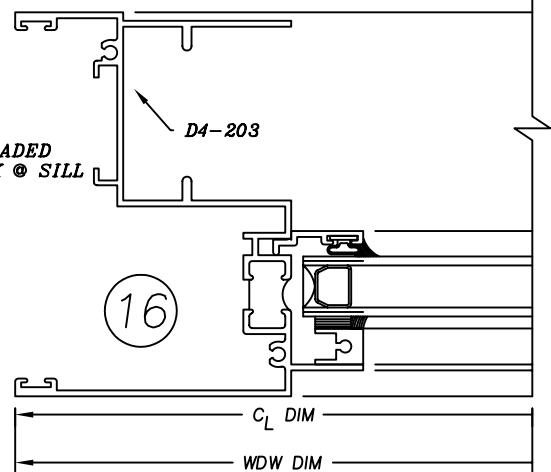
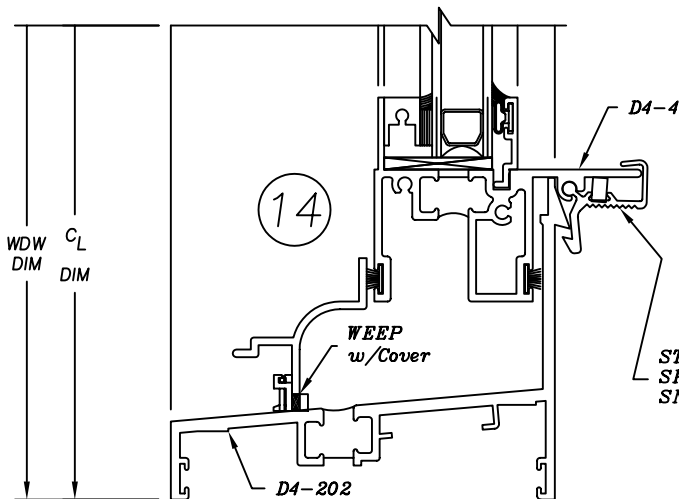
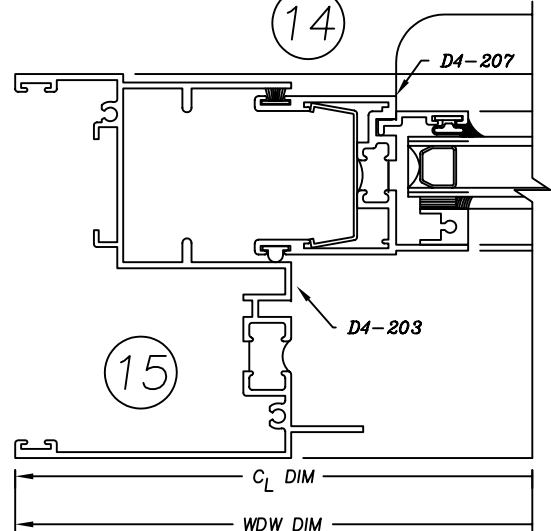
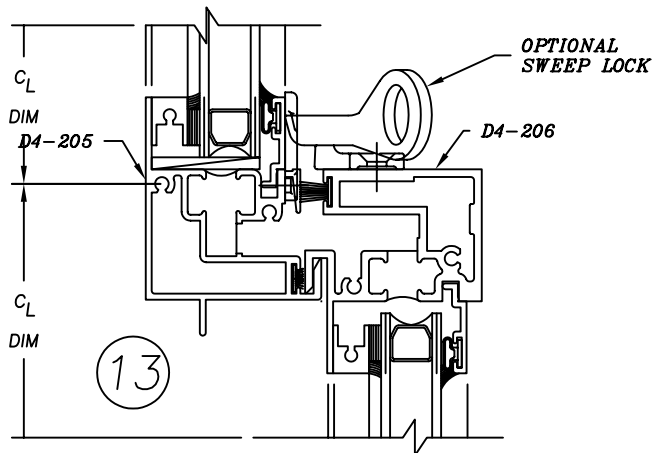
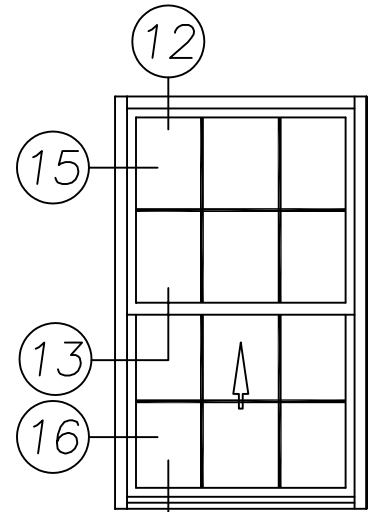
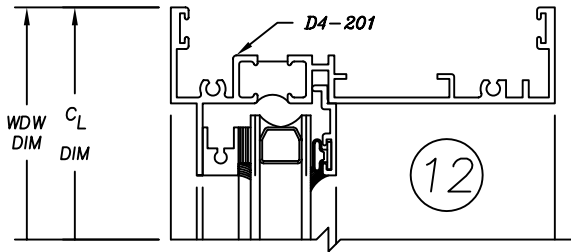


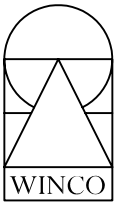
# 4410 Series

4" Heavy Commercial

Thermally Improved Single Hung Window

## 4410 Single Hung w/ Non-Removable Grid



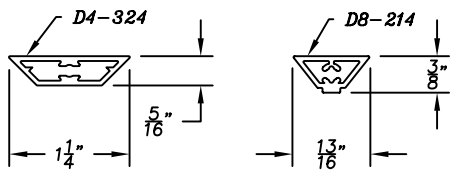
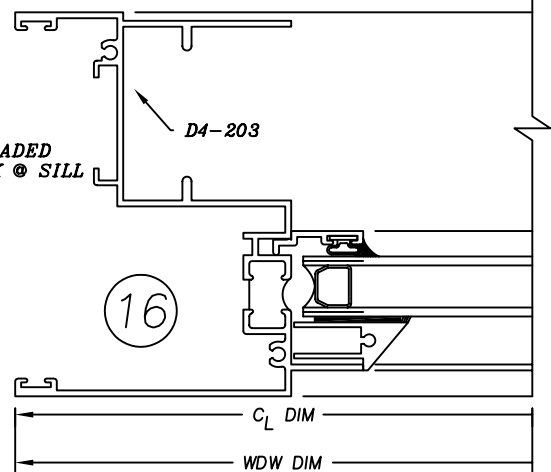
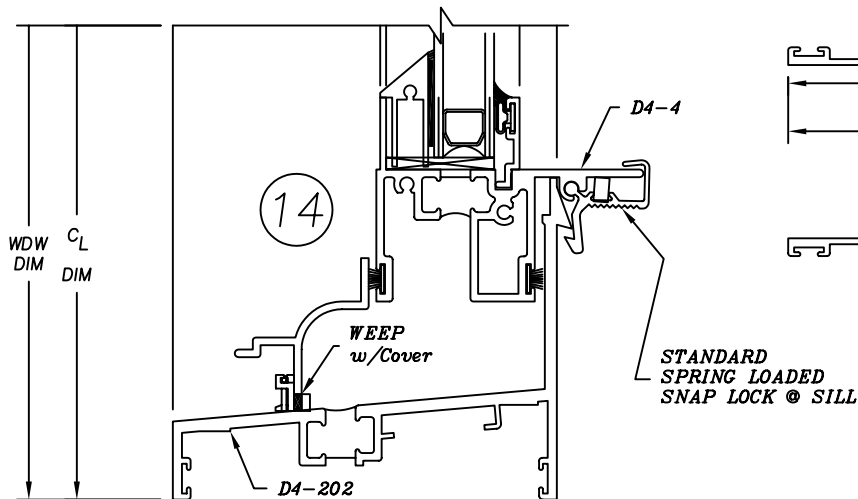
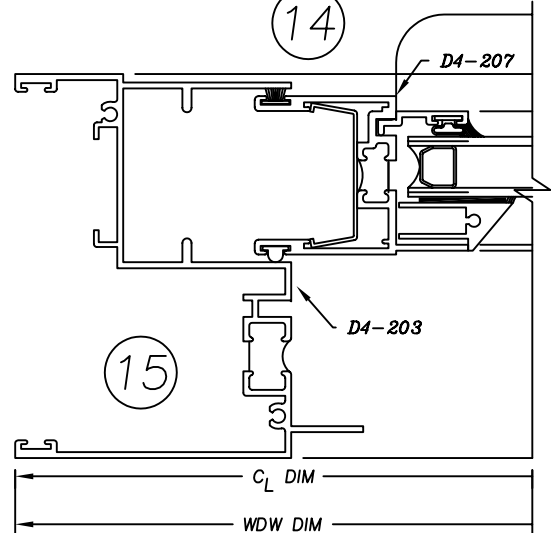
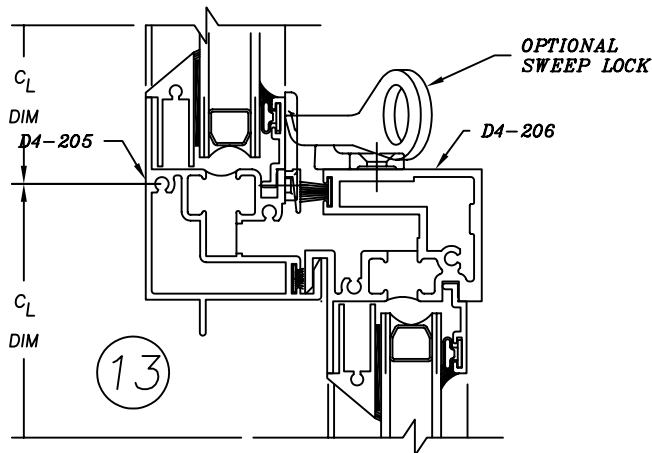
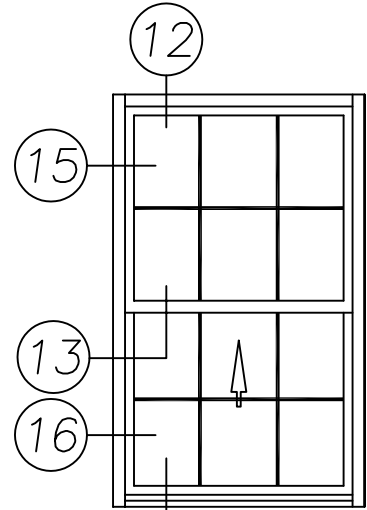
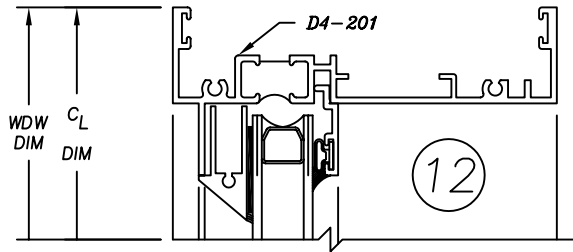


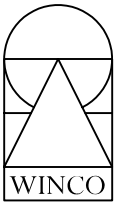
# 4410 Series

4" Heavy Commercial

Thermally Improved Single Hung Window

## 4410 Single Hung w/ Sloped Grid



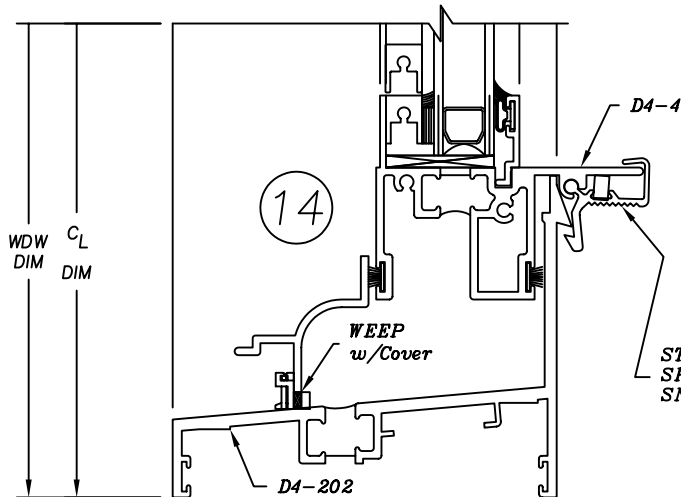
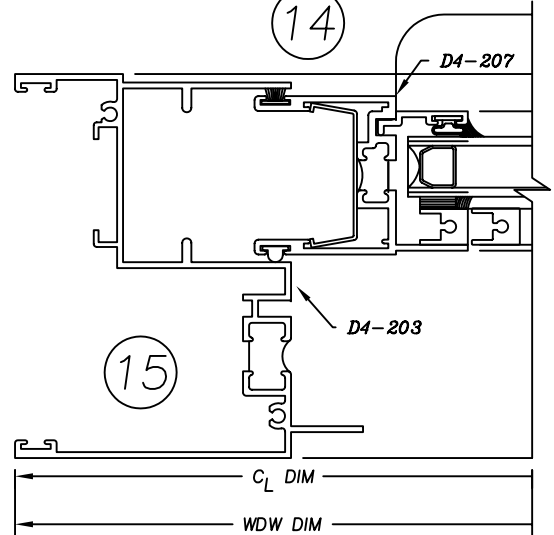
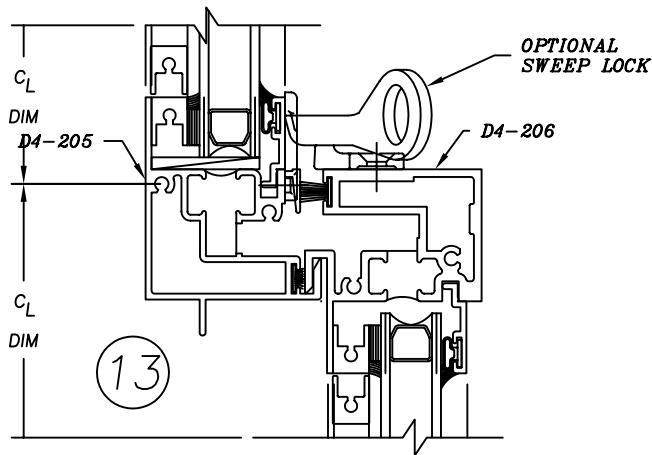
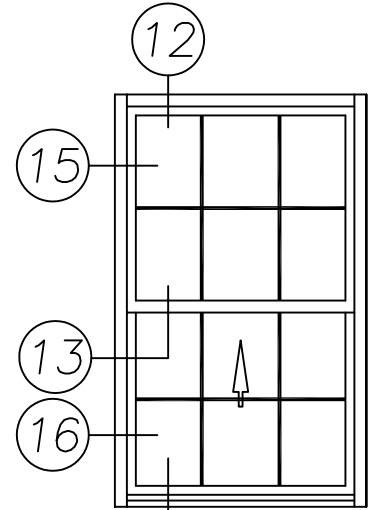
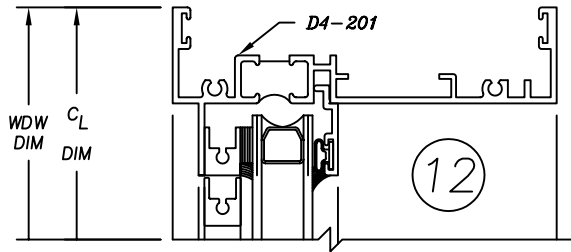


# 4410 Series

4" Heavy Commercial

Thermally Improved Single Hung Window

## 4410 Single Hung w/ Non-Removable Grid



STANDARD  
SPRING LOADED  
SNAP LOCK @ SILL

