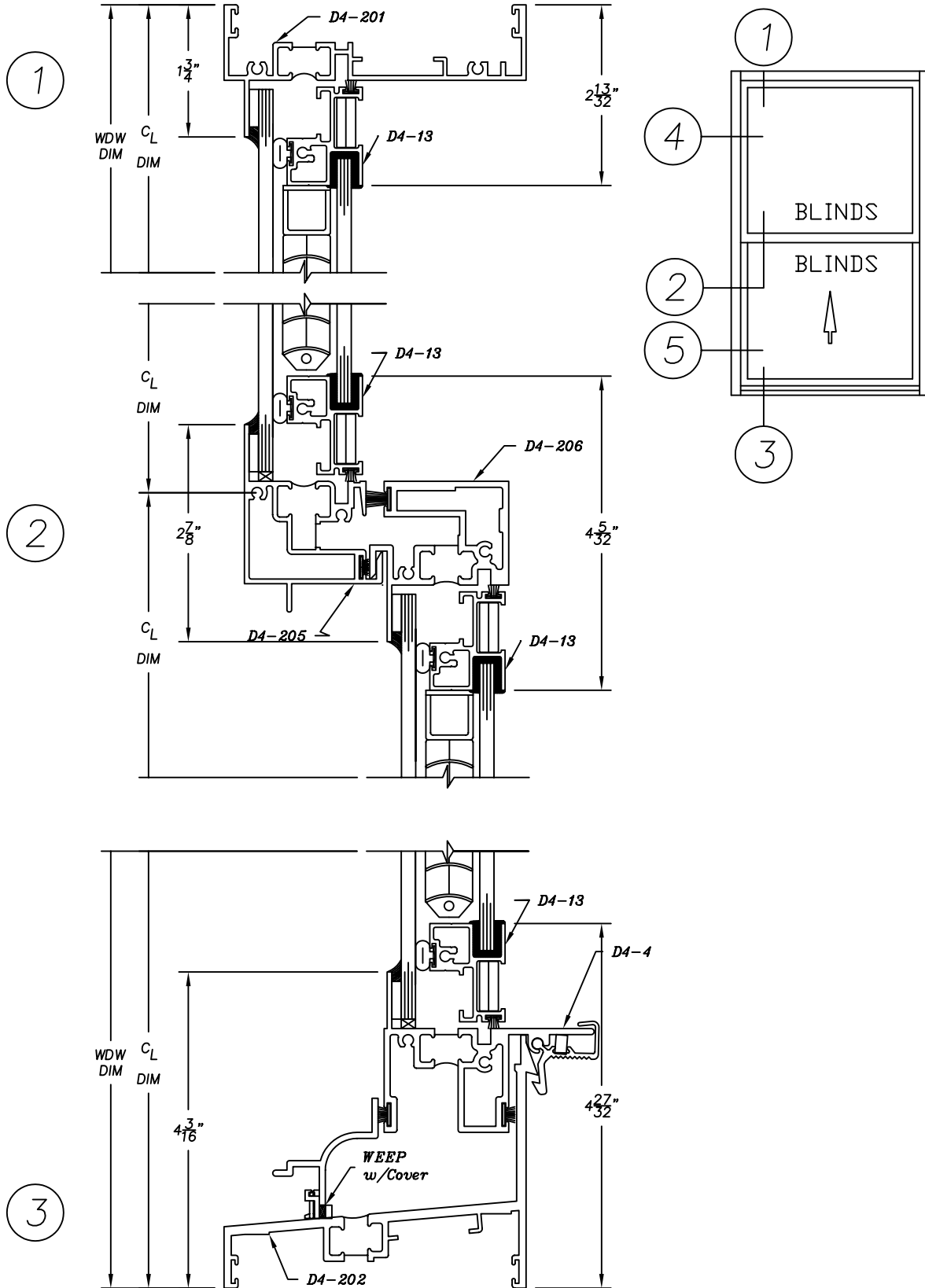
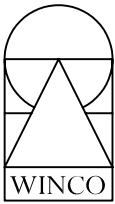


# 4415 Series

4" Heavy Commercial

Thermally Improved Single Hung Window w/Blinds

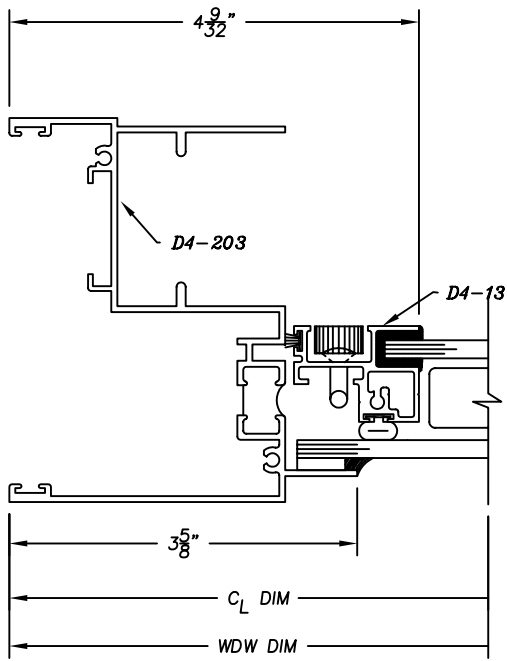




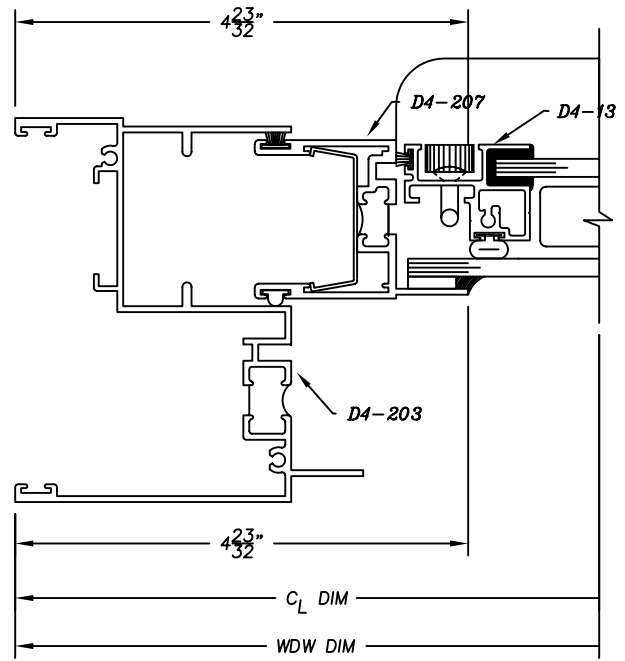
# 4415 Series

4" Heavy Commercial

Thermally Improved Single Hung Window w/Blinds



4



5