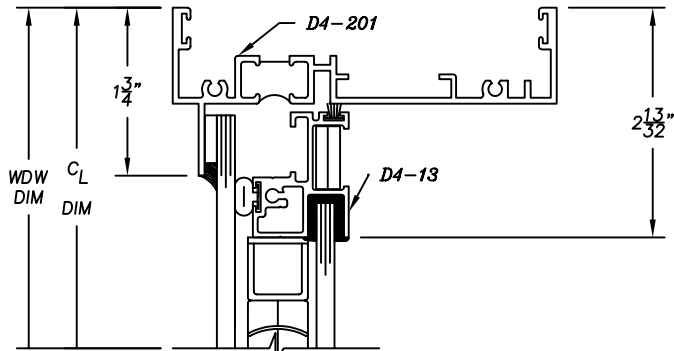


# 4415 Series

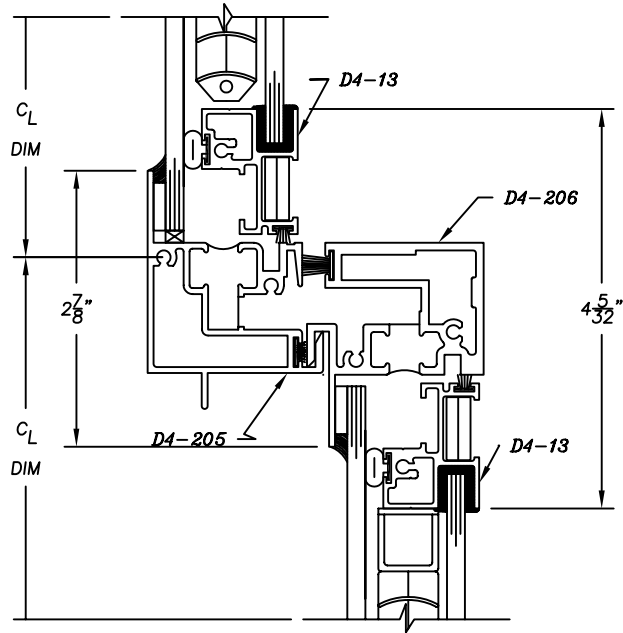
4" Heavy Commercial

Thermally Improved Single Hung Window w/Blinds

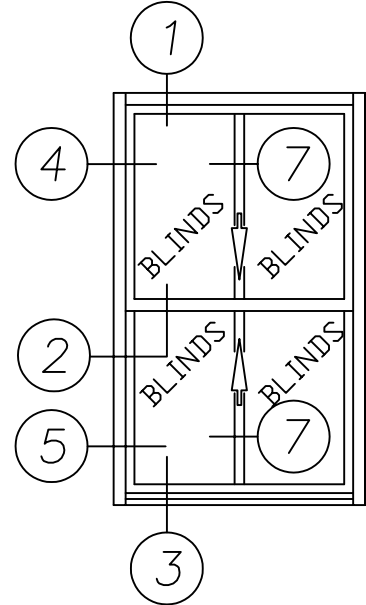
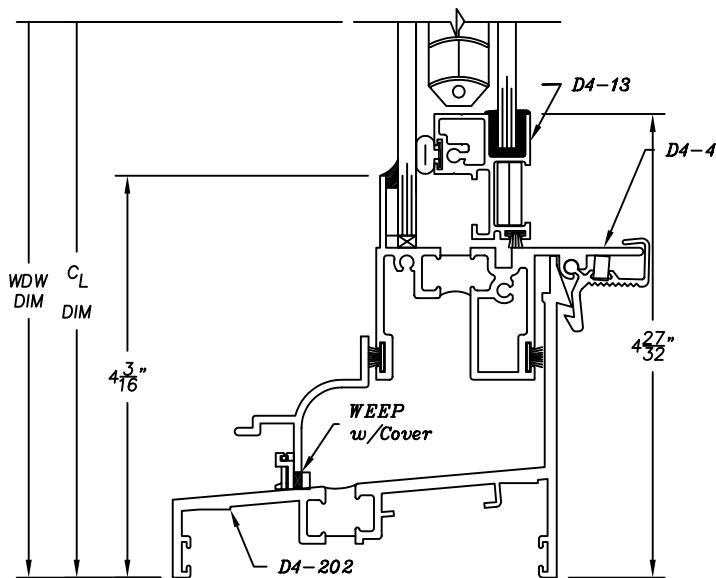
1

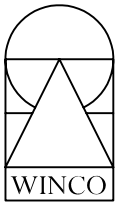


2



3

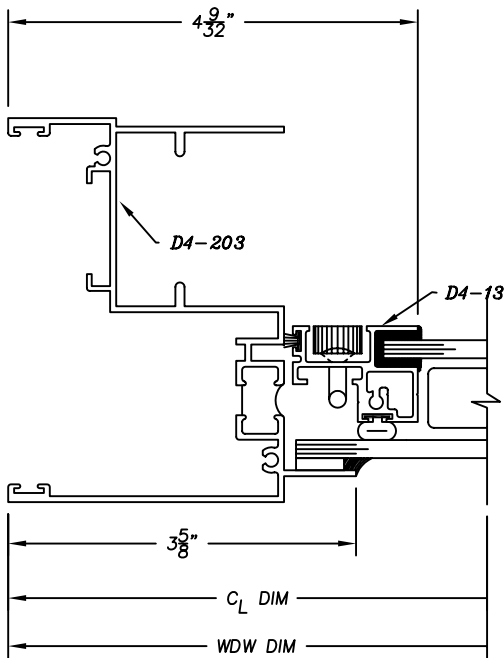




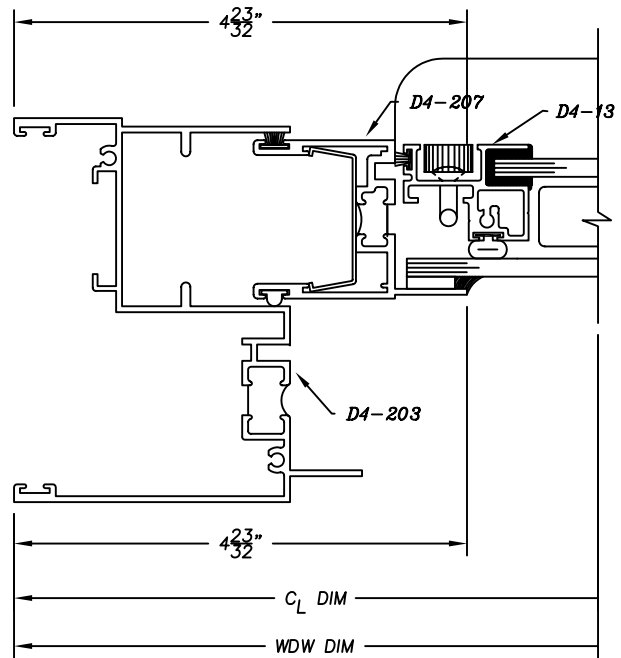
# 4415 Series

4" Heavy Commercial

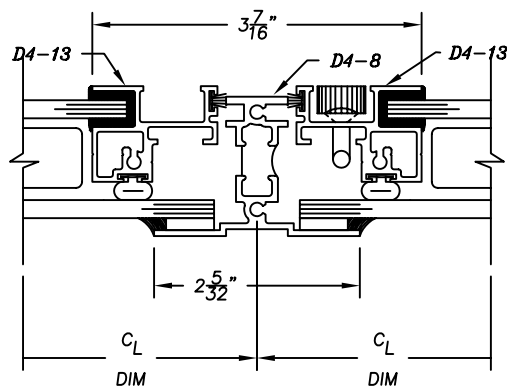
Thermally Improved Single Hung Window w/Blinds



4



5



7