



Series 3325CW Zero Sightline Curtain Wall

3-1/4" Architectural Grade Window System
Projected - Casement



Product Overview

The 3325CW Zero Sightline Window Vent is engineered to elevate your curtain wall system with its near-invisible profile. This operable window vent system blends seamlessly into the building's facade, preserving the clean, uninterrupted window sightlines while improving occupant comfort through natural airflow.

Available prefabricated and pre-glazed, the 3325CW series is available as a project-out or outswing casement window, either with or without roto operator. It also includes a convenient 1" glazing pocket insert for installation into the curtain wall framing.

Whether you're constructing a new state-of-the-art facility or retrofitting an existing structure, the 3325CW Zero Sightline Window Vent is the ideal solution for maximizing the building aesthetics and occupant satisfaction.

Green Commitment

Energy Savings

Noise Control

Historic Replication

Features & Custom Options

- Azon "Azo-Brader" thermally broken frame backed by a 10 year warranty against thermal break shrinkage
- 1" glazing pocket insert for installation into the curtain wall
- A fully mitered overlap sash configuration has 1/8" wall thickness with fully sealed corners and dual weather-stripping
- Factory glazed with 1" glass and 3M VHB structural glazing tape
- 2" frame depth with a 1-1/4" proud vent for zero sightline glazing and 1/8" main frame wall thickness
- Wide variety of locking and operating hardware available
- Optional blast glazed
- Optional aluminum extruded screens

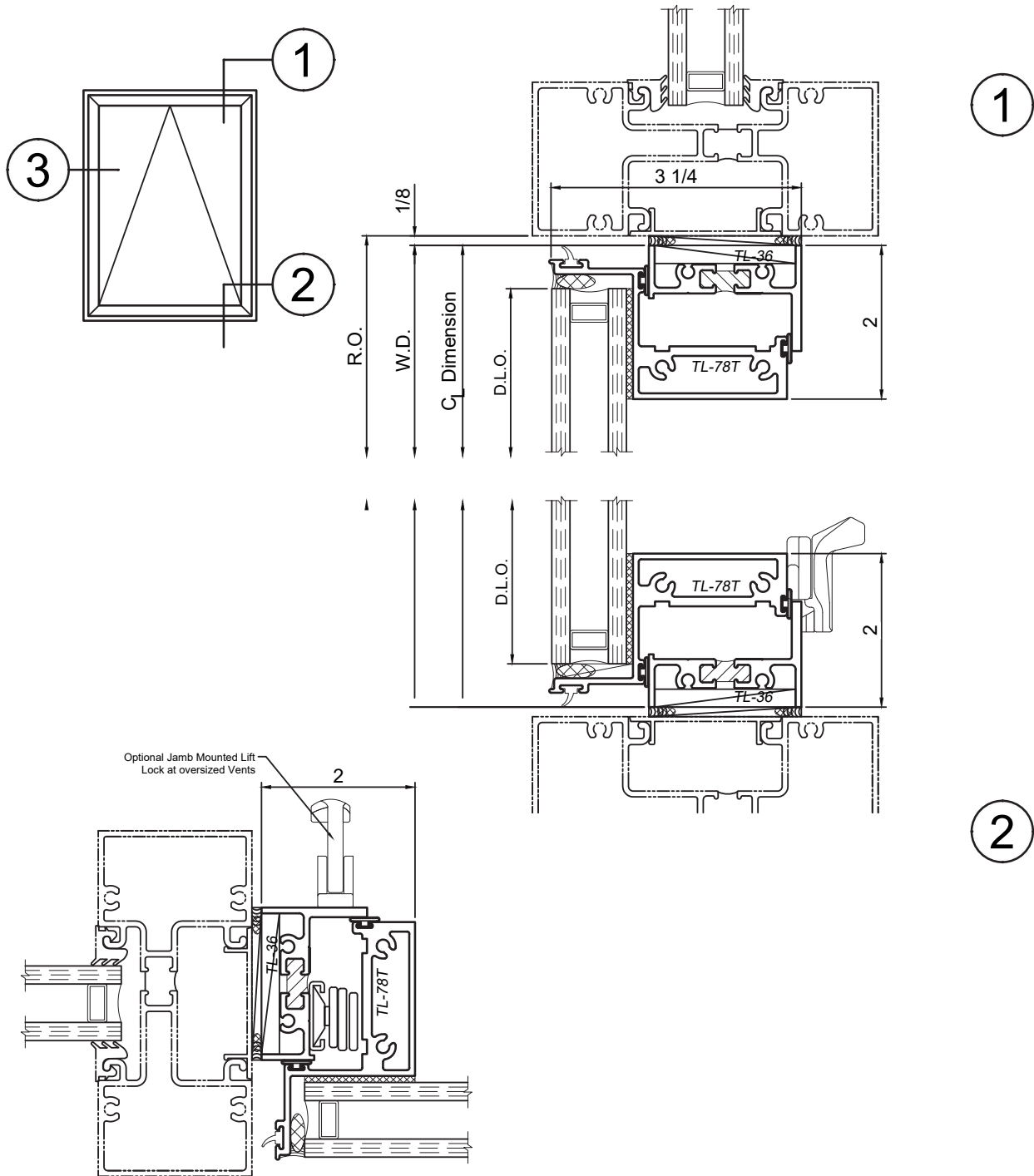
Performance Data*

| Type | Air (CFM/FT ² @ 6.24 PSF) | Water (PSF) | Structural (PSF) | CRF | U-Value (Btu/Hr-Ft ² -°F) | STC |
|----------------------------|---|---|---------------------|-----|---|------------------------|
| Projected AW Grade AP-AW80 | Less than 0.10 | 12 (Higher levels may be available upon request) | +/- 120 | 63* | 0.36* | Contact your local Rep |
| Casement AW Grade C-AW80 | Less than 0.10 | 12 (Higher levels may be available upon request) | +/- 120 | 63* | 0.36* | |

*U-Value, CRF, Water and AW ratings are based on a particular type of glazing and window configuration being used. They are provided for comparison purposes only. They are based on products of standard configuration, tested in accordance with NFRC/FGIA/AAMA specifications, in a laboratory environment under optimum conditions. Performance values will vary according to project specifications, installation, size, configuration, hardware, glass, etc. Any required field testing should be done in accordance with the project specifications and FGIA/AAMA field testing protocol, not this data.



Series 3325CW Zero Sightline Detail Drawings



Winco Window Company
6200 Maple Avenue
St. Louis, MO 63130

TESTING: Our products meet stringent testing requirements of both the American Architectural Manufacturers Association (AAMA) and the National Fenestration Rating Council (NFRC) standards and certification.

VER:11725

