



Series 8325

3-1/4" Architectural Grade Thermal Window System
Fixed - Projected - Casement



Product Overview

All framing members of the Winco Strut windows are thermally broken with two glass reinforced polyamide struts that stitch the two aluminum extrusions together. Because the strut materials have a low thermal transfer property, they can achieve high performing U-values that easily meet strict building codes and LEED requirements.

Green Commitment

Energy Savings

Noise Control

Historic Replication

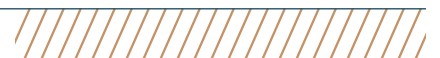
Features & Custom Options

- Integral extruded beveled glazing leg
- Vertical and horizontal stacking members
- Fully mitered overlap sash configuration with fully sealed corners and dual weather-stripping
- Various glazing thicknesses available
- Dual glazing with optional integral blinds providing dynamic light control
- Wide variety of locking and operating hardware available
- Accessory line of receptors, mullions, panning and trim for a customized look
- Optional aluminum extruded screens

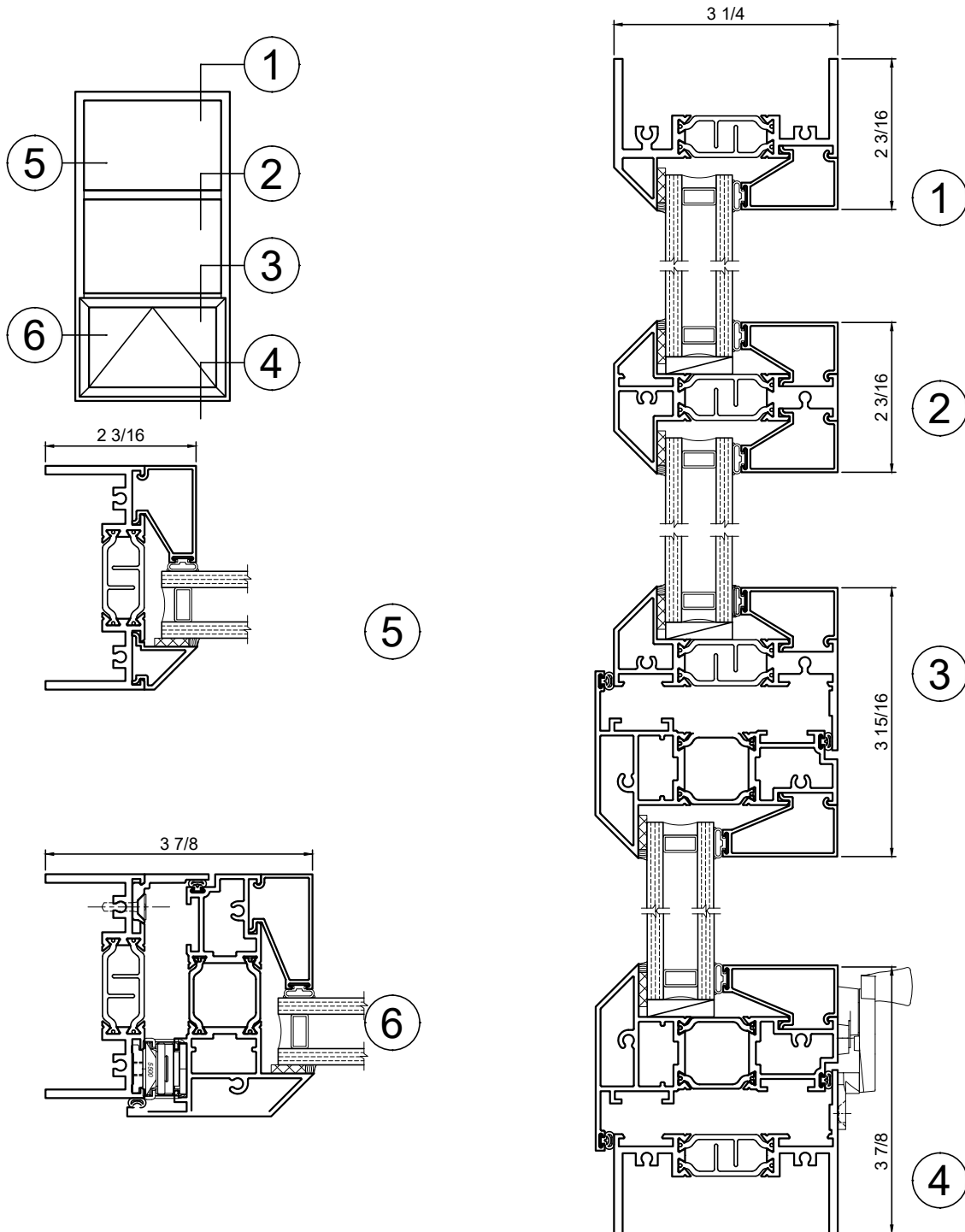
Performance Data*

Type	Air (CFM/FT2 @ 6.24 PSF)	Water (PSF)	Structural (PSF)	CRF	U-Value (Btu/Hr-Ft ² -°F)	STC
Fixed AW Grade AW-120	Less than 0.10	12 (Higher levels may be available upon request)	+/- 180	69*	0.24*	Contact your local Rep
Projected AW Grade AP-AW120	Less than 0.10	12 (Higher levels may be available upon request)	+/- 180	63*	0.34*	

*U-Value, CRF, Water and AW ratings are based on a particular type of glazing and window configuration being used. They are provided for comparison purposes only. They are based on products of standard configuration, tested in accordance with NFRC/FGIA/AAMA specifications, in a laboratory environment under optimum conditions. Performance values will vary according to project specifications, installation, size, configuration, hardware, glass, etc. Any required field testing should be done in accordance with the project specifications and FGIA/AAMA field testing protocol, not this data.



Series 8325 Detail Drawings



Winco Window Company
6200 Maple Avenue
St. Louis, MO 63130

TESTING: Our products meet stringent testing requirements of both the American Architectural Manufacturers Association (AAMA) and the National Fenestration Rating Council (NFRC) standards and certification.

