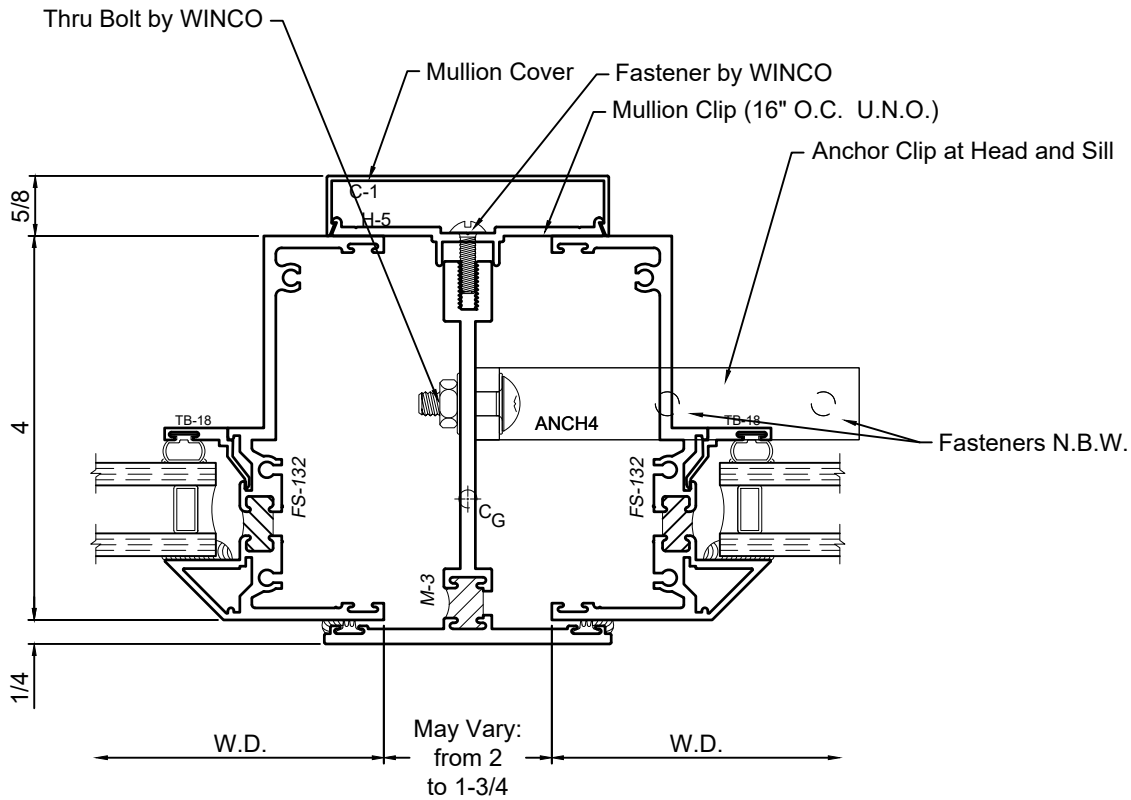
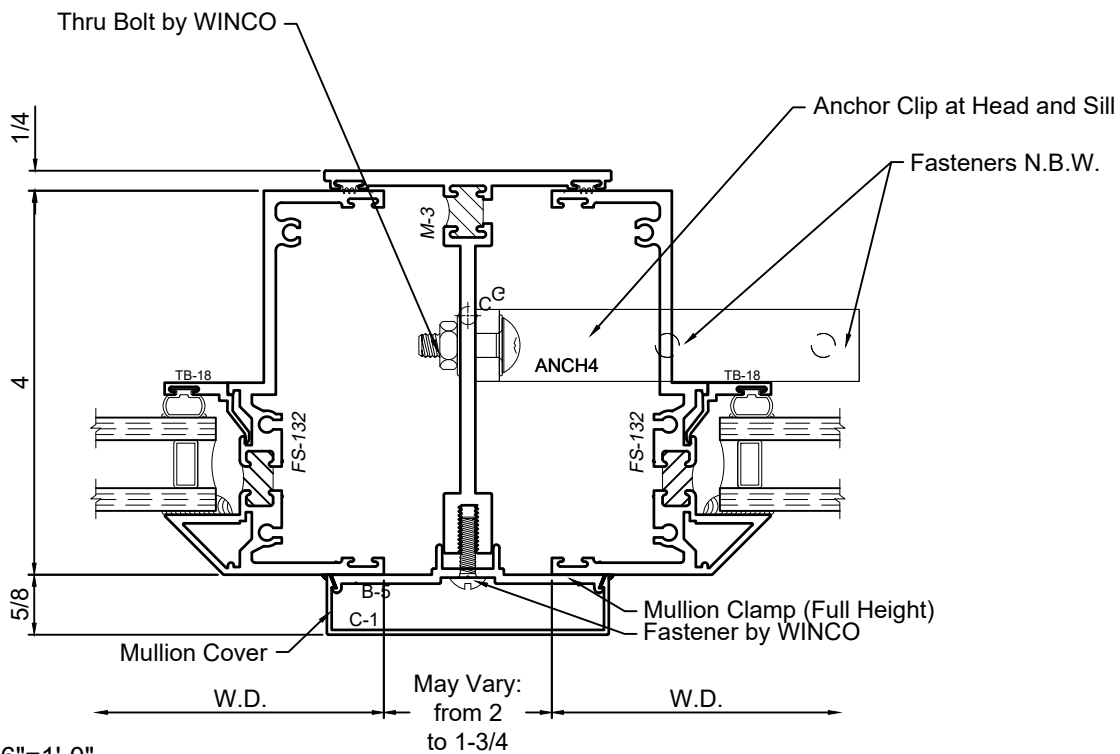


M-3 Mullion set from Building Interior



M-3 Mullion set from Building Exterior

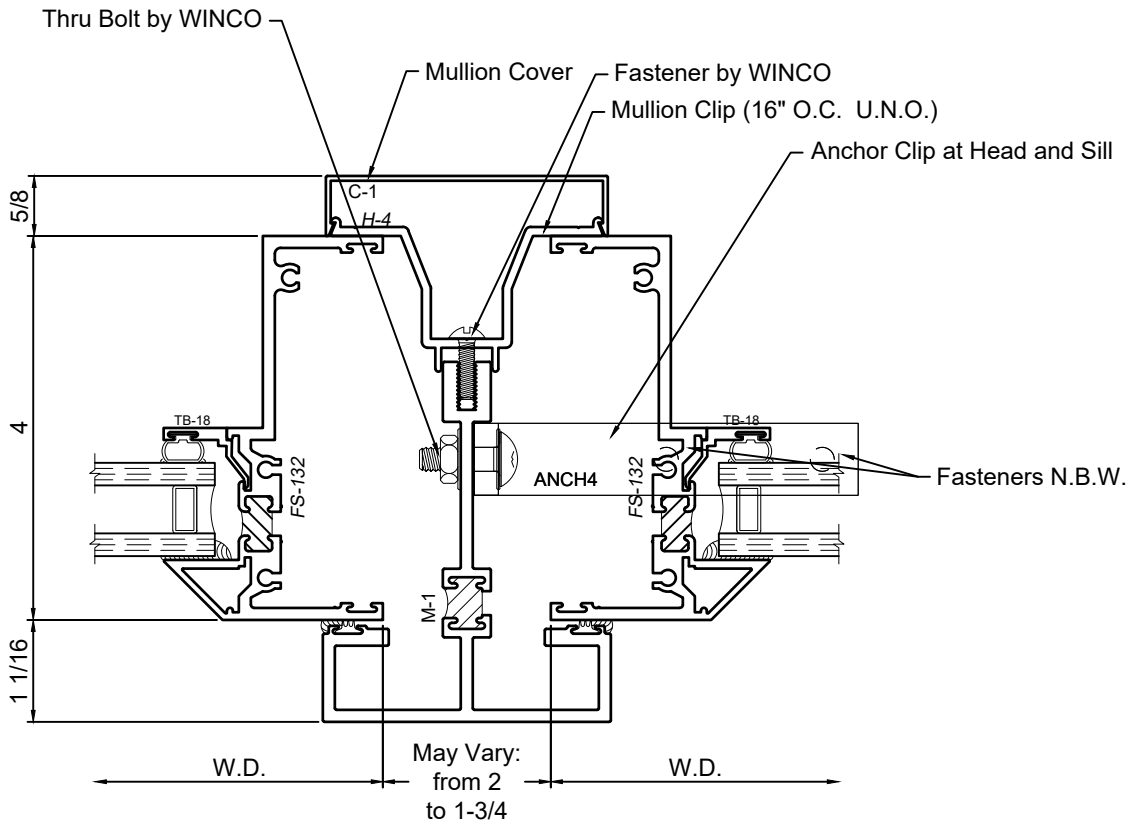


SCALE 6"=1'-0"

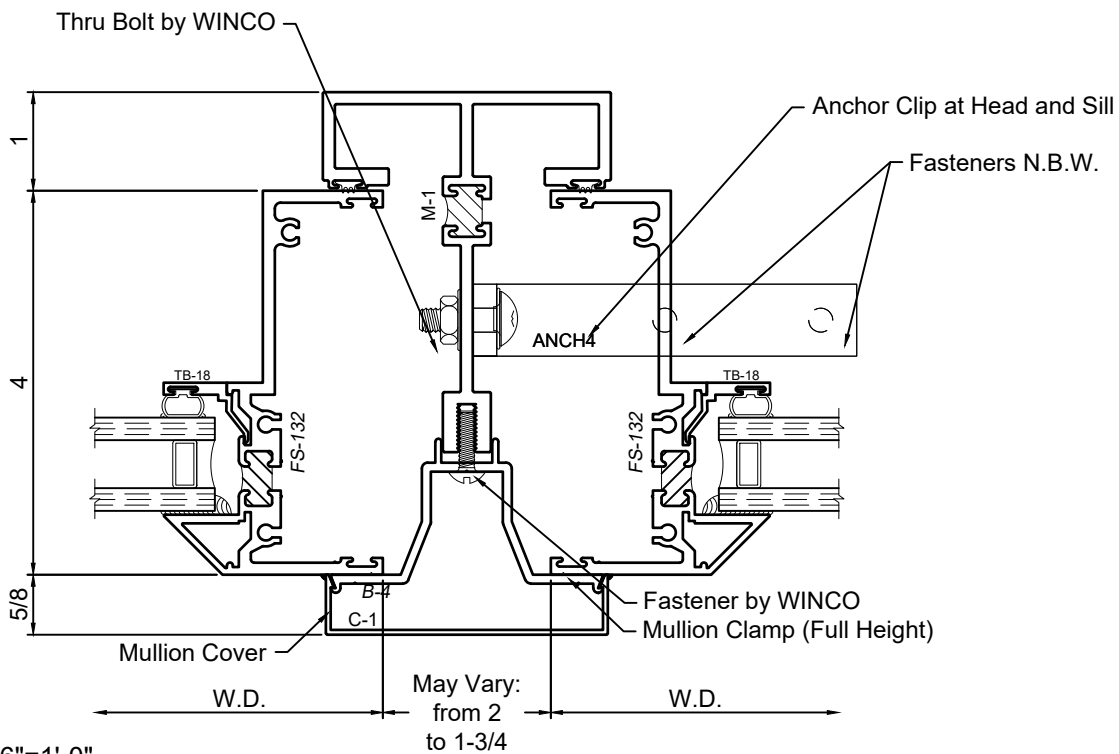
WINCO RESERVES THE RIGHT TO MODIFY OR CHANGE INFORMATION WITHIN THIS BOOK WHEN DEEMED NECESSARY FOR PRODUCT IMPROVEMENT

© WINCO WINDOW COMPANY, INC. 2026

M-1 Mullion set from Building Interior



M-1 Mullion set from Building Exterior

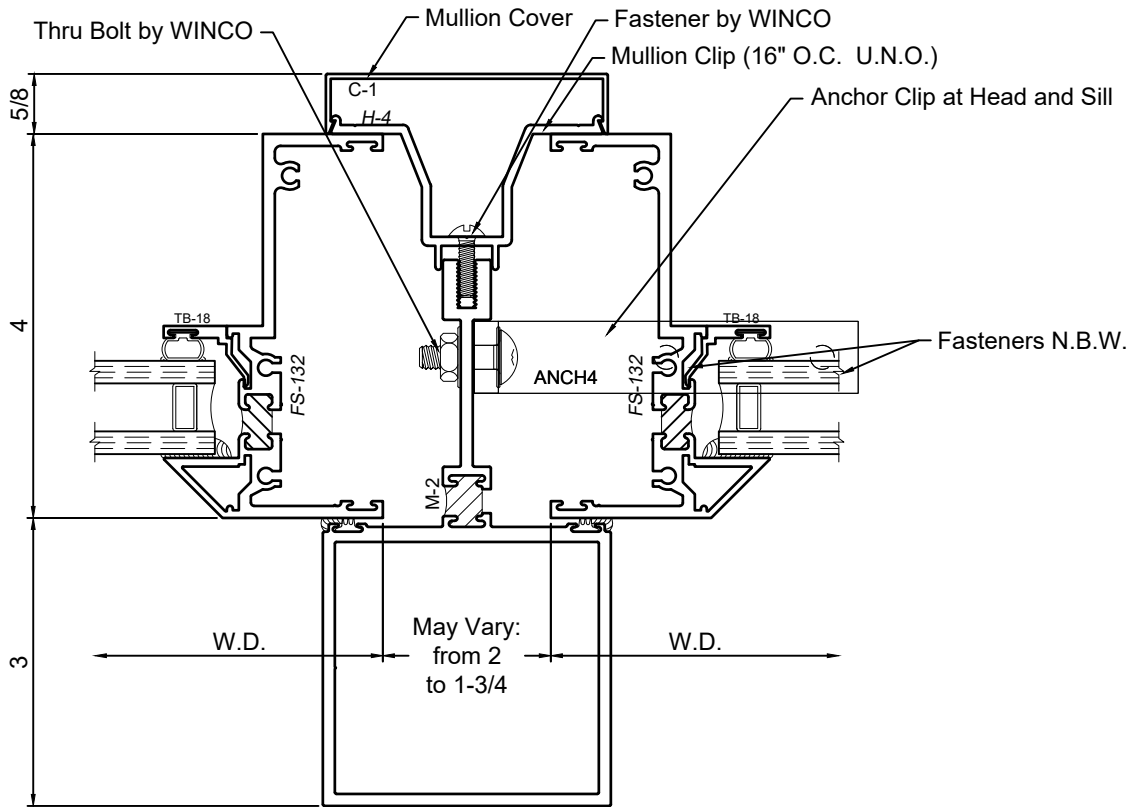


SCALE 6"=1'-0"

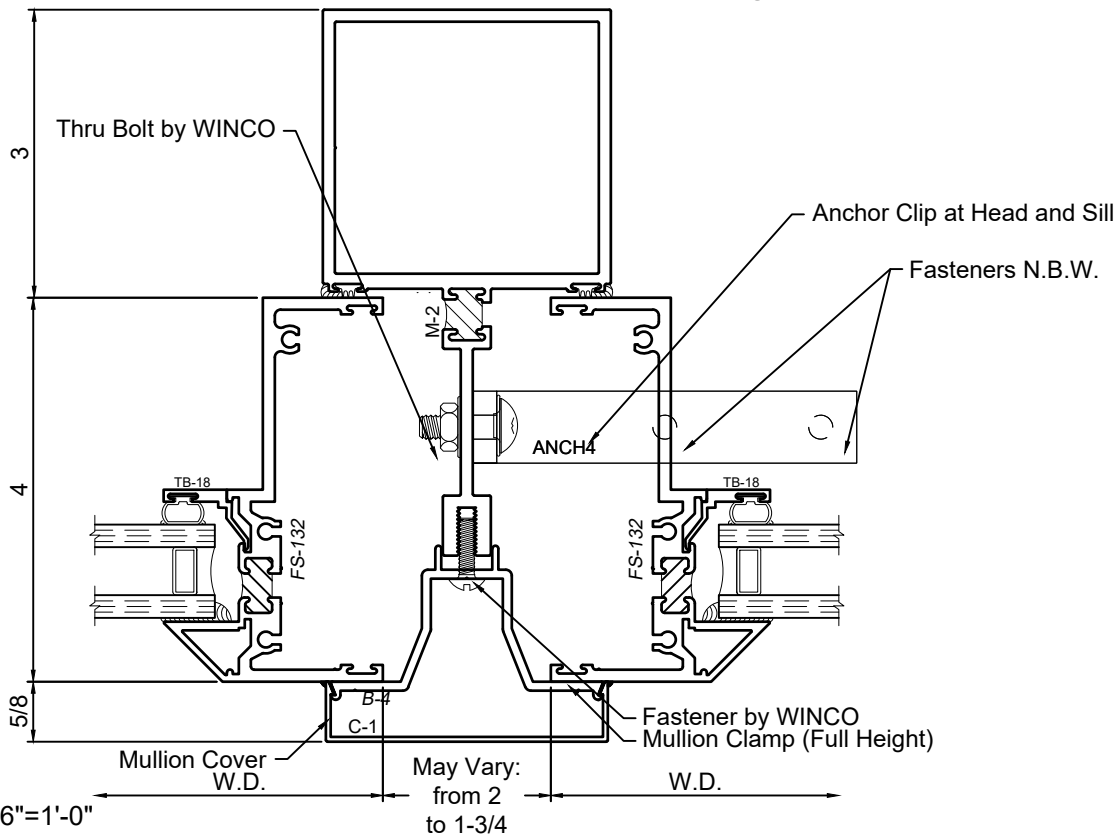
WINCO RESERVES THE RIGHT TO MODIFY OR CHANGE INFORMATION WITHIN THIS BOOK WHEN DEEMED NECESSARY FOR PRODUCT IMPROVEMENT

© WINCO WINDOW COMPANY, INC. 2026

M-2 Mullion set from Building Interior



M-2 Mullion set from Building Exterior



SCALE 6"=1'-0"

WINCO RESERVES THE RIGHT TO MODIFY OR CHANGE INFORMATION WITHIN THIS BOOK WHEN DEEMED NECESSARY FOR PRODUCT IMPROVEMENT

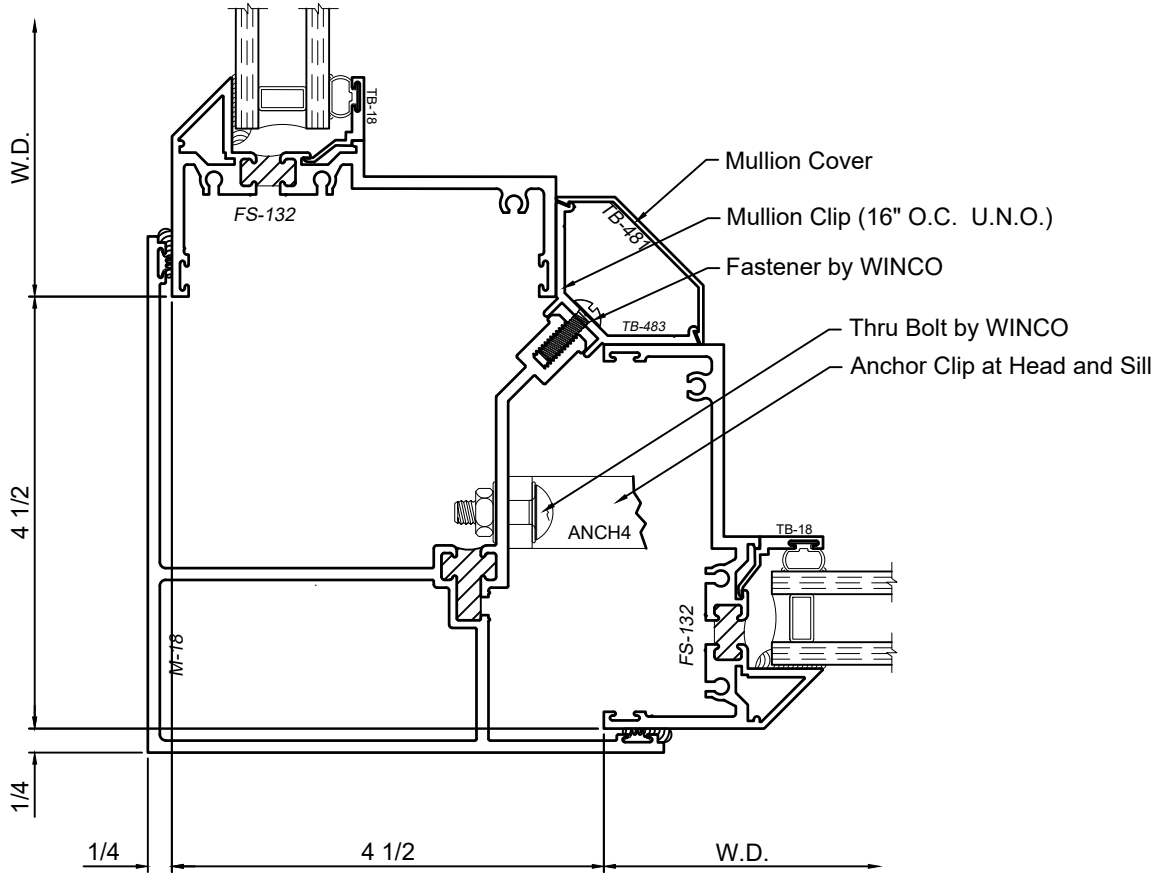
© WINCO WINDOW COMPANY, INC. 2026

1450S Series 4" Thermal Fixed, Casement & Projected Windows

Product Details - Trim - 90° Corner Mullion



WINCO RESERVES THE RIGHT TO MODIFY OR CHANGE INFORMATION WITHIN THIS BOOK WHEN DEEMED NECESSARY FOR PRODUCT IMPROVEMENT



© WINCO WINDOW COMPANY, INC. 2026

SCALE 6"=1'-0"

1450S Series 4" Thermal Fixed, Casement & Projected Windows

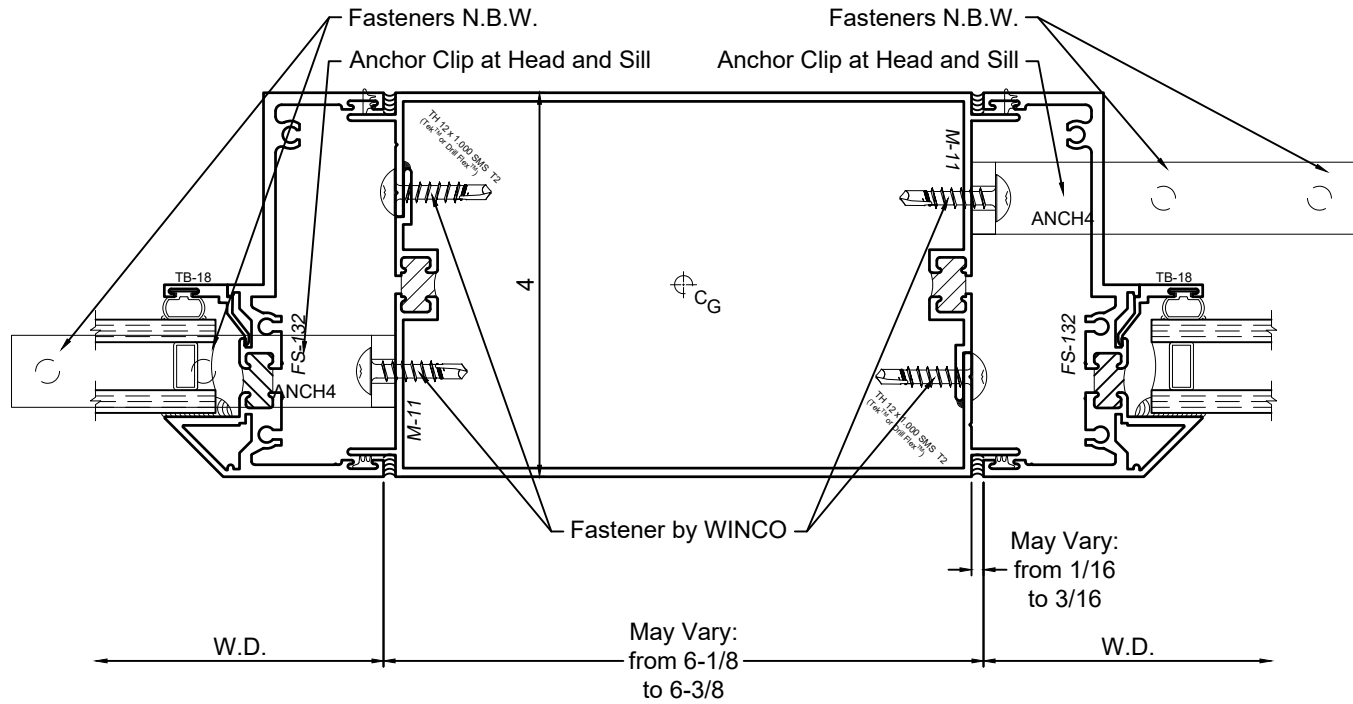
Product Details - Trim - Mullion (Special Application)



M-11 Mullion

Recommended usage only with Jamb Receptor for installation clearances

WINCO RESERVES THE RIGHT TO MODIFY OR CHANGE INFORMATION WITHIN THIS BOOK WHEN DEEMED NECESSARY FOR PRODUCT IMPROVEMENT



© WINCO WINDOW COMPANY, INC. 2026

SCALE 6"=1'-0"