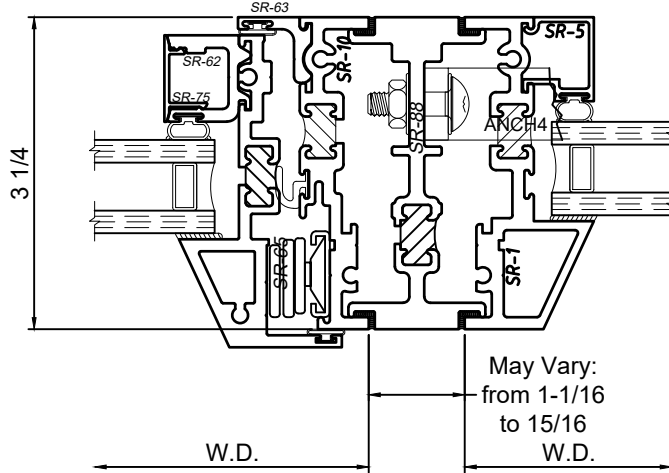
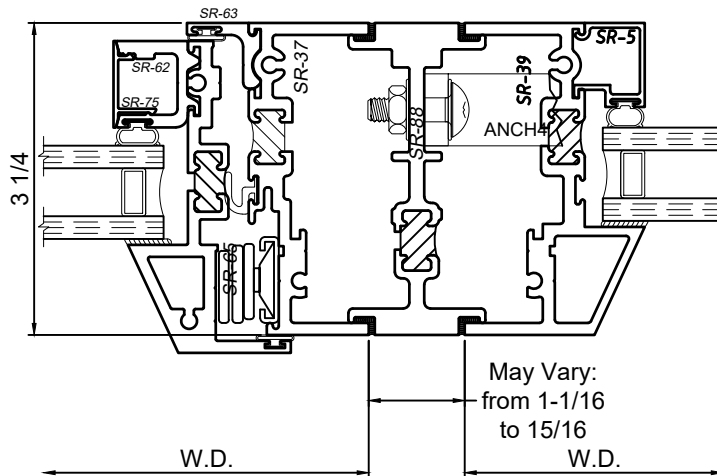


Heavy Duty SR-88 Side Stack Framing at SR-1 / SR-10



WINCO RESERVES THE RIGHT TO MODIFY OR CHANGE INFORMATION WITHIN THIS BOOK WHEN DEEMED NECESSARY FOR PRODUCT IMPROVEMENT

Heavy Duty SR-88 Side Stack Framing at SR-37 / SR-39

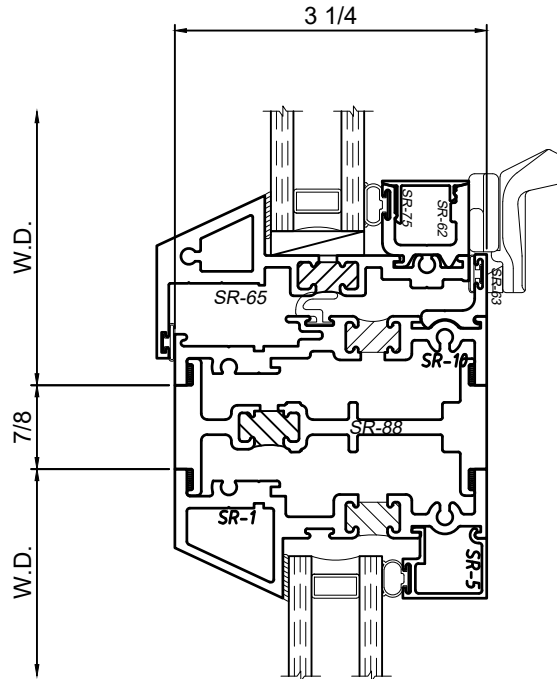


© WINCO WINDOW COMPANY, INC. 2026

SCALE 6"=1'-0"

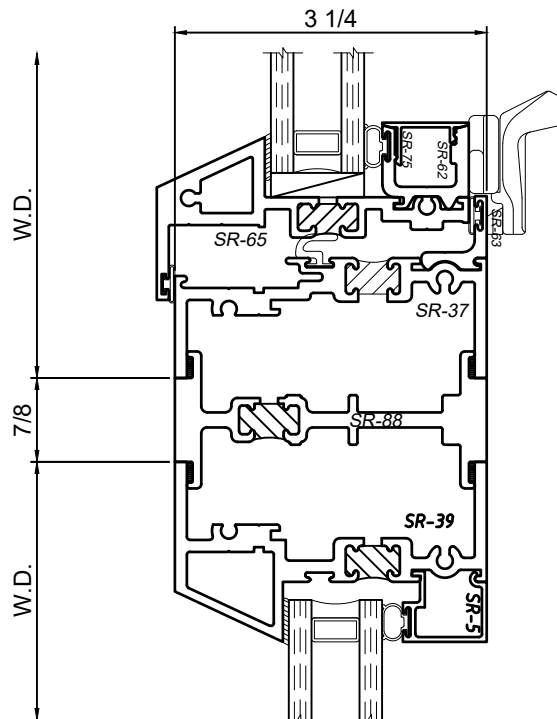
Heavy Duty SR-88 Horizontal Stack Framing at SR-1 / SR-10

WINCO RESERVES THE RIGHT TO MODIFY OR CHANGE INFORMATION WITHIN THIS BOOK WHEN DEEMED NECESSARY FOR PRODUCT IMPROVEMENT



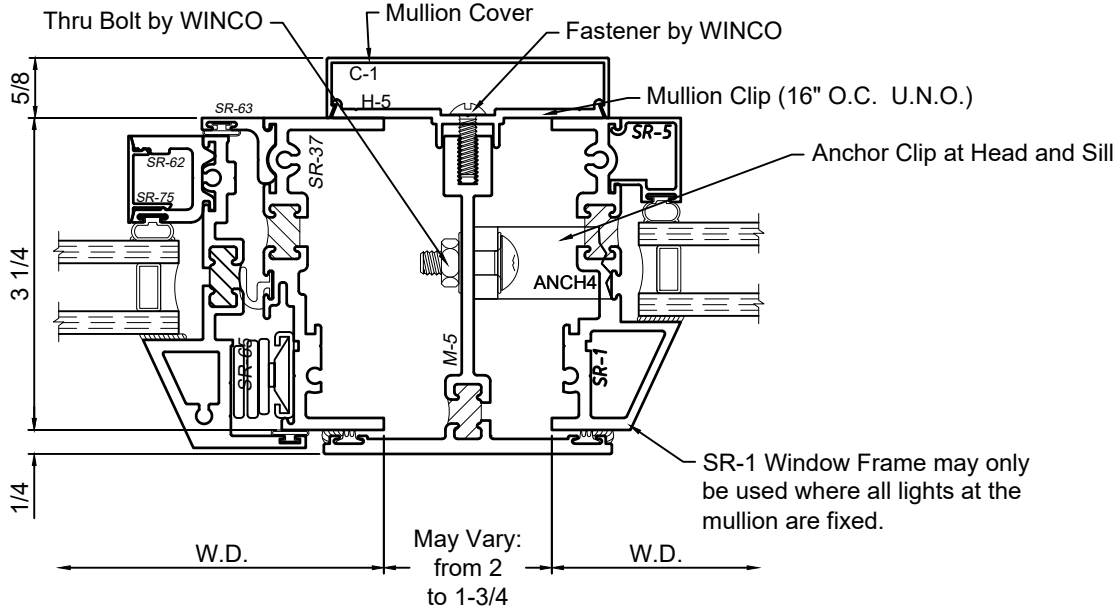
Heavy Duty SR-88 Horizontal Stack Framing at SR-37 / SR-39

© WINCO WINDOW COMPANY, INC. 2026



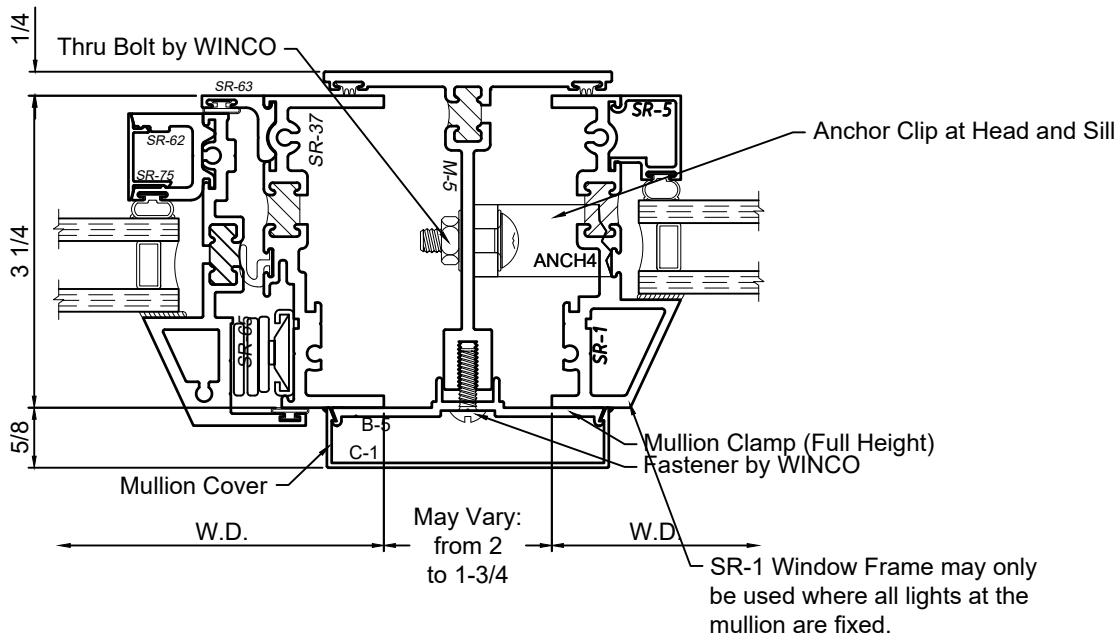
SCALE 6"=1'-0"

M-5 Mullion set from Building Interior



WINCO RESERVES THE RIGHT TO MODIFY OR CHANGE INFORMATION WITHIN THIS BOOK WHEN DEEMED NECESSARY FOR PRODUCT IMPROVEMENT

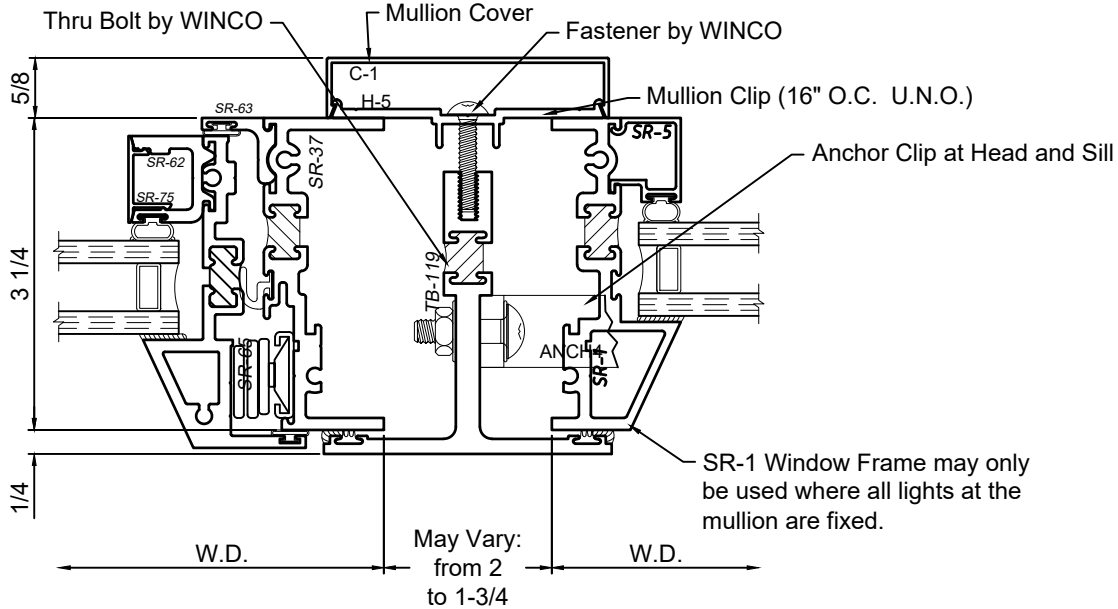
M-5 Mullion set from Building Exterior



© WINCO WINDOW COMPANY, INC. 2026

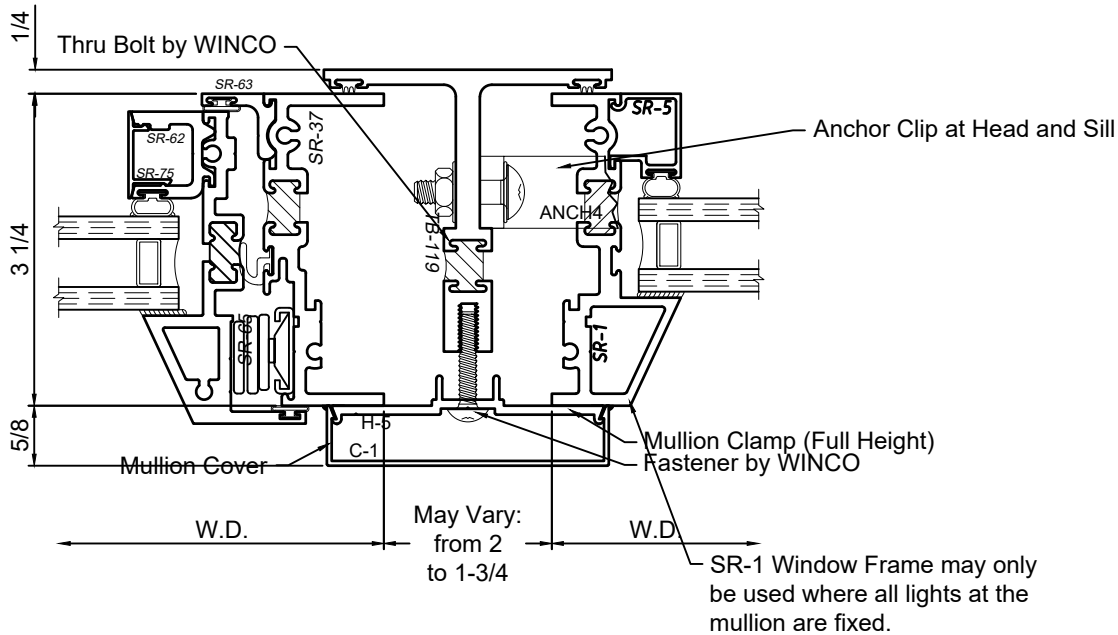
SCALE 6"=1'-0"

TB-119 Mullion set from Building Interior



WINCO RESERVES THE RIGHT TO MODIFY OR CHANGE INFORMATION WITHIN THIS BOOK WHEN DEEMED NECESSARY FOR PRODUCT IMPROVEMENT

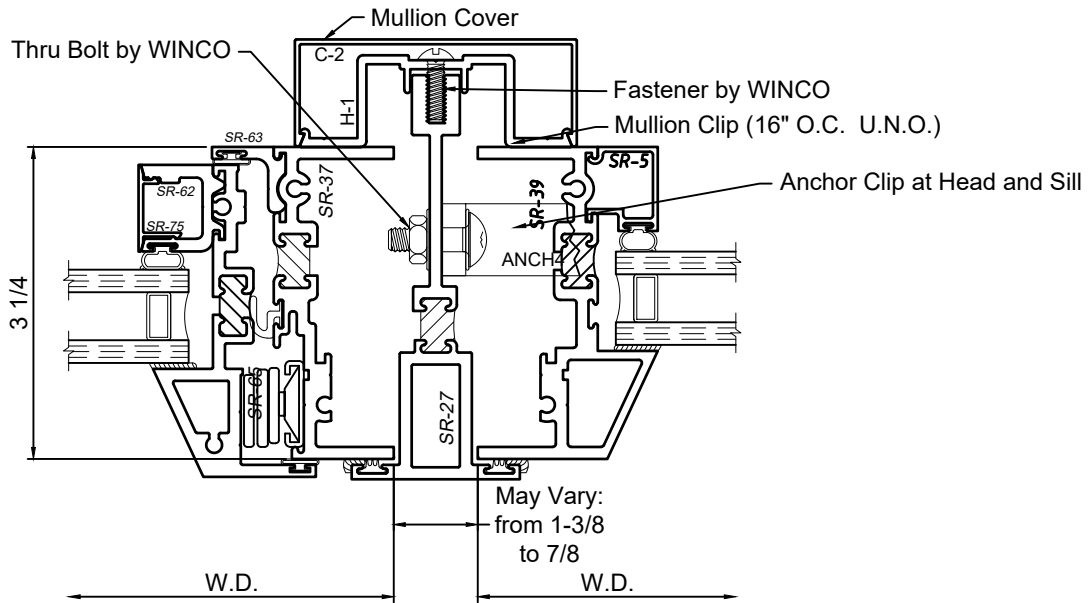
TB-119 Mullion set from Building Exterior



© WINCO WINDOW COMPANY, INC. 2026

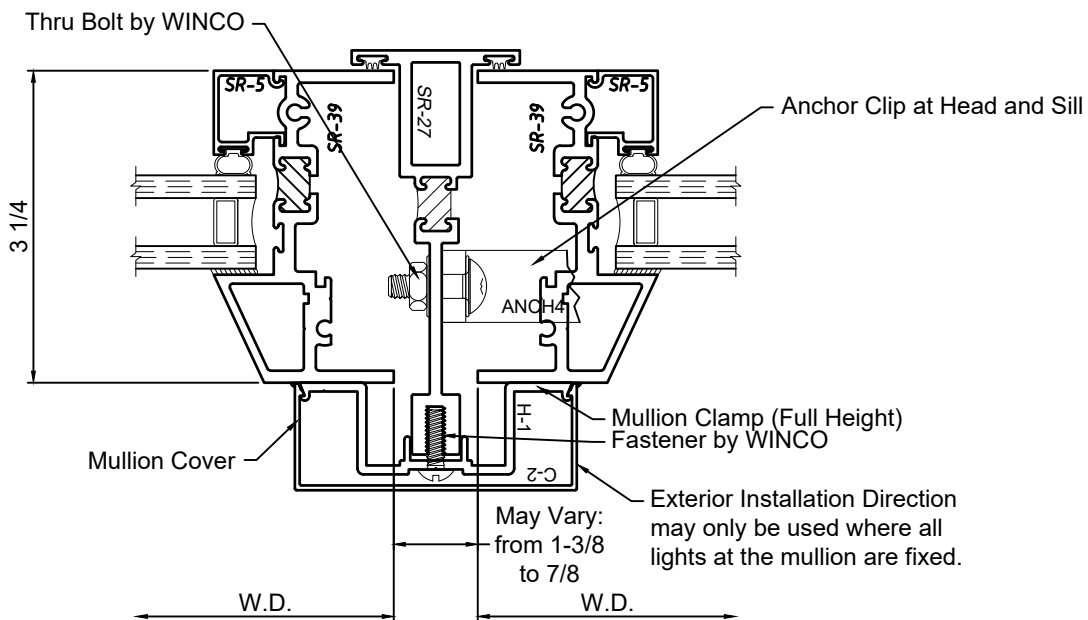
SCALE 6"=1'-0"

SR-27 Mullion set from Building Interior



WINCO RESERVES THE RIGHT TO MODIFY OR CHANGE INFORMATION WITHIN THIS BOOK WHEN DEEMED NECESSARY FOR PRODUCT IMPROVEMENT

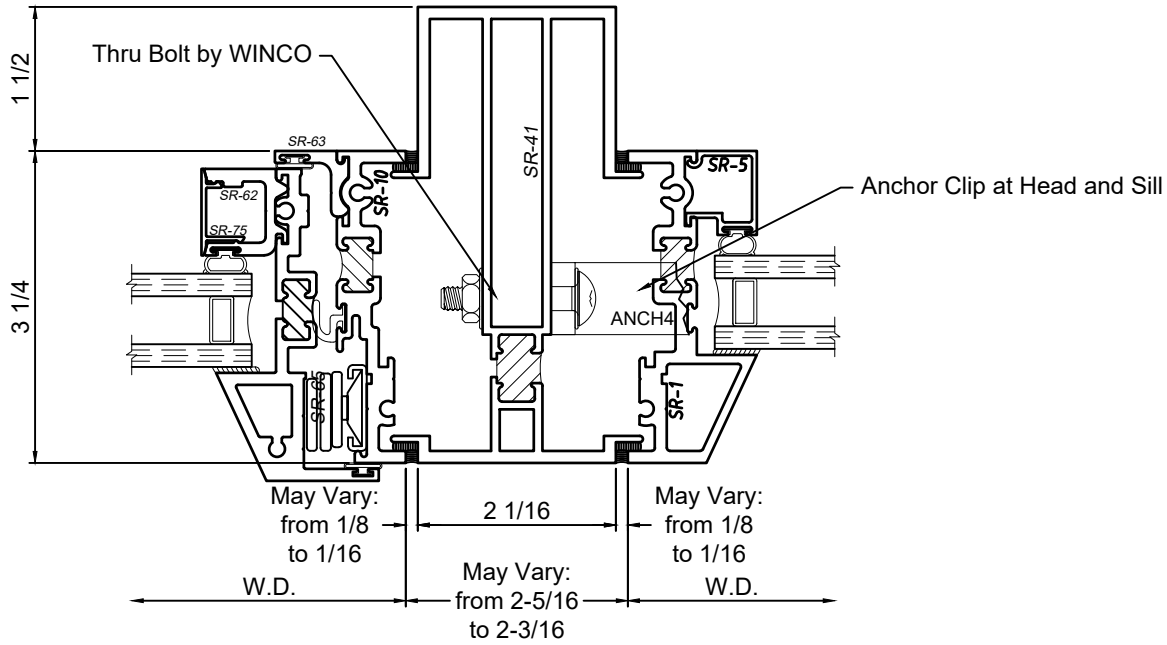
SR-27 Mullion set from Building Exterior



© WINCO WINDOW COMPANY, INC. 2026

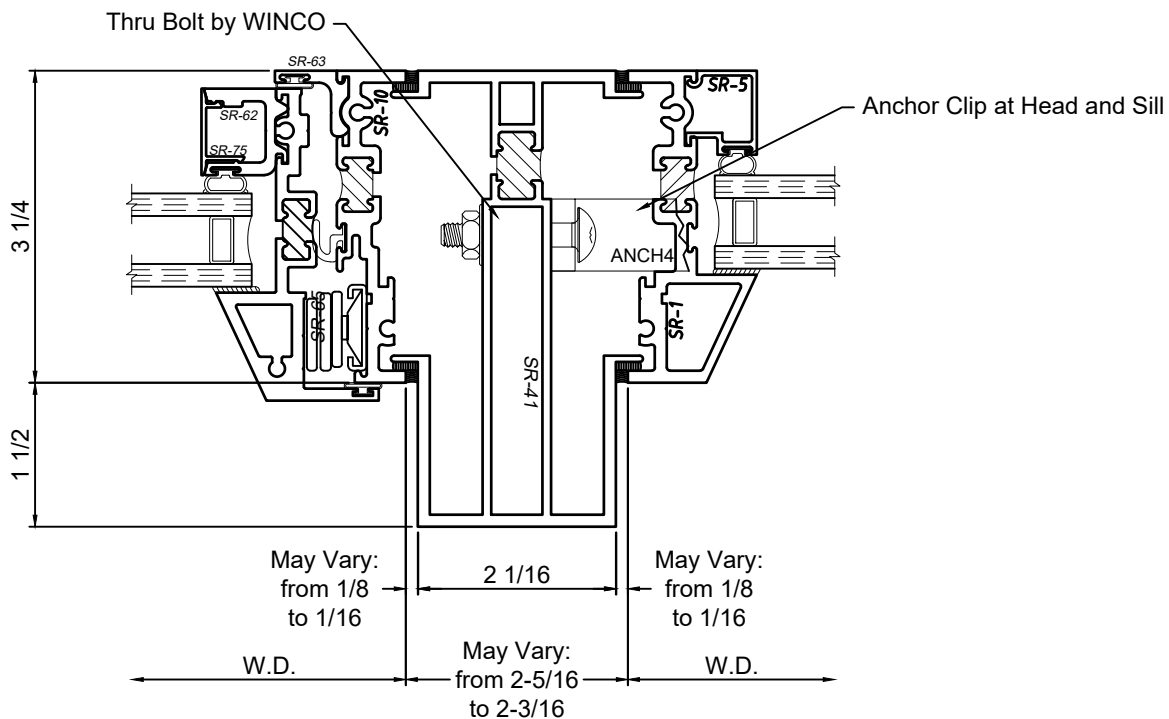
SCALE 6"=1'-0"

M-41 Mullion set from Building Interior



WINCO RESERVES THE RIGHT TO MODIFY OR CHANGE INFORMATION WITHIN THIS BOOK WHEN DEEMED NECESSARY FOR PRODUCT IMPROVEMENT

M-41 Mullion set from Building Exterior



© WINCO WINDOW COMPANY, INC. 2026

SCALE 6"=1'-0"

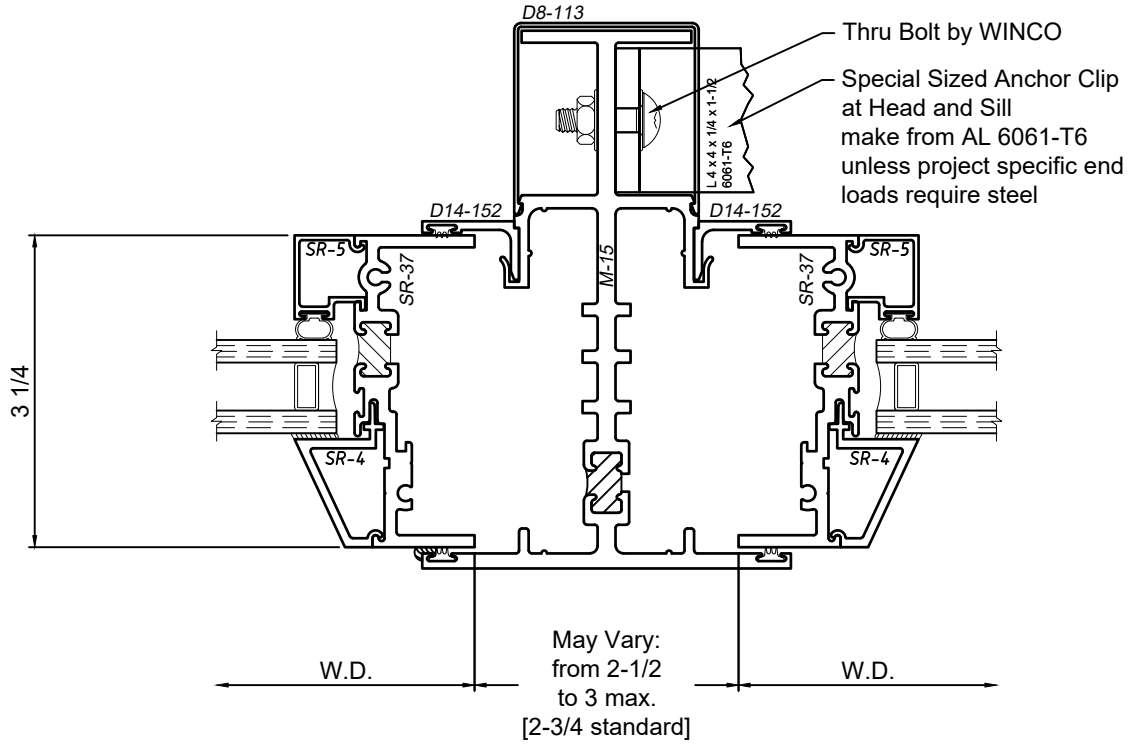
3250 Series 3-1/4" Thermal Fixed, Casement & Projected Windows

Product Details - Trim - Mullion and Stacking



M-15 Mullion set from Building Interior

WINCO RESERVES THE RIGHT TO MODIFY OR CHANGE INFORMATION WITHIN THIS BOOK WHEN DEEMED NECESSARY FOR PRODUCT IMPROVEMENT



© WINCO WINDOW COMPANY, INC. 2026

SCALE 6"=1'-0"