

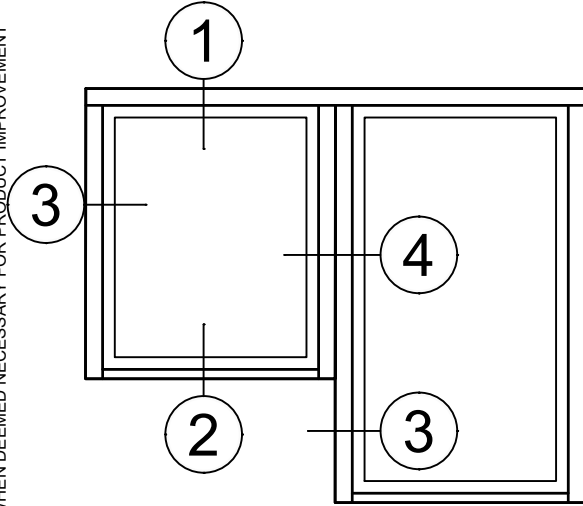
# Receptor Sections - 3250 Series

## Product Details - Head / Jamb Receptors and Sub-Sills

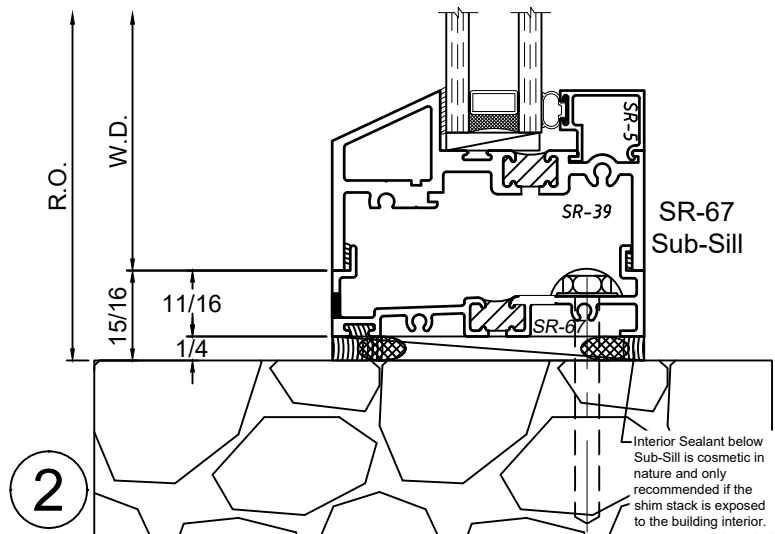
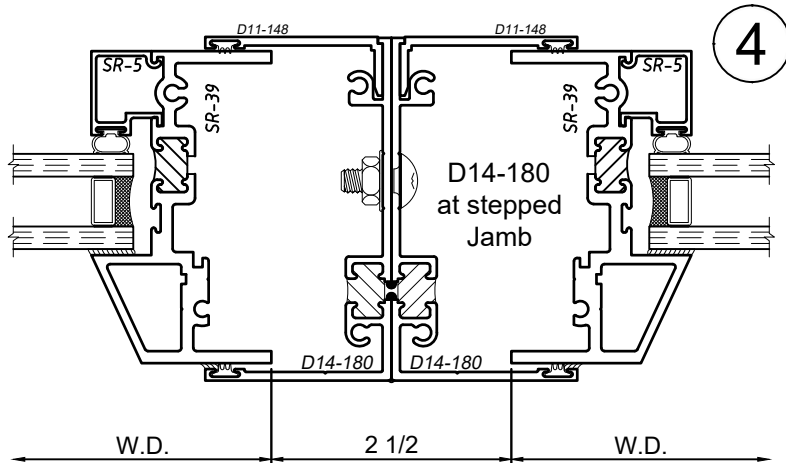
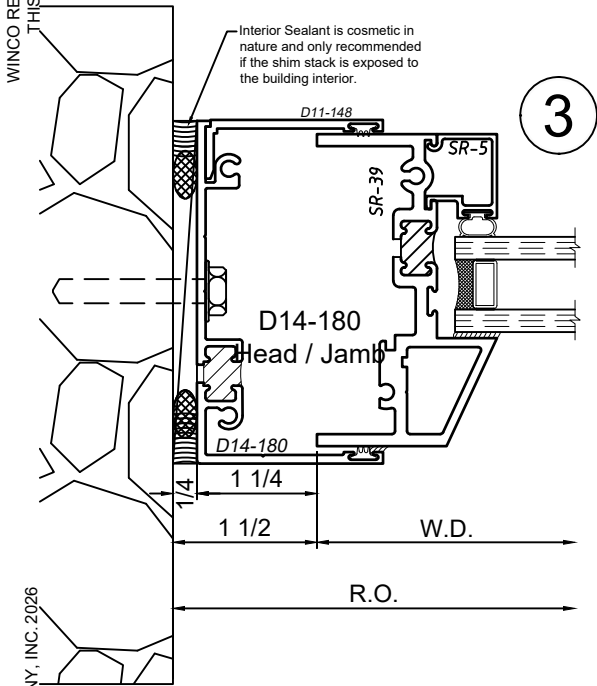
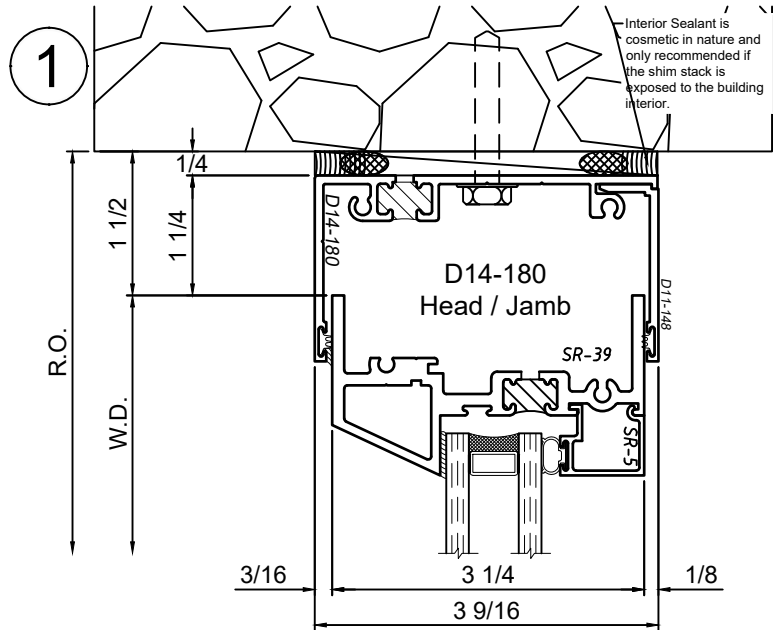


Note: Trim shown is a sampling of WINCO's offering. Not all shapes are held in stock and minimum quantity order may be required. Consult your local WINCO sales representative for other trims available. It is WINCO's recommendation to install all trim and materials per WINCO's installation instructions.

WINCO RESERVES THE RIGHT TO MODIFY OR CHANGE INFORMATION WITHIN THIS BOOK WHEN DEEMED NECESSARY FOR PRODUCT IMPROVEMENT



See 3250 Window Section(s) for possible window frame configurations.



© WINCO WINDOW COMPANY, INC. 2026

SCALE 6"=1'-0"

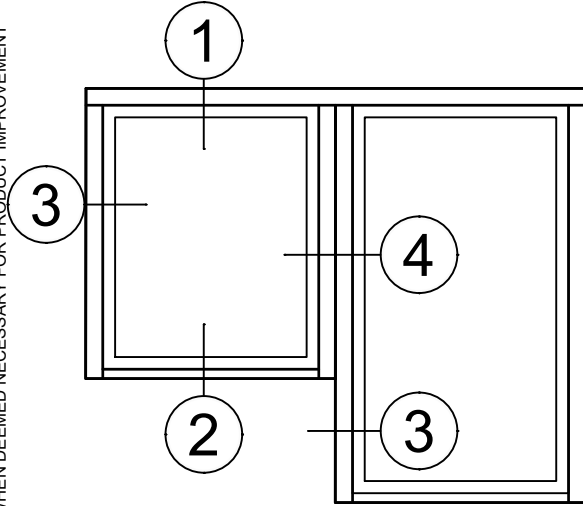
# Rapid Receptor Sections - 3250 Series

## Product Details - Rapid Receptor Head / Jamb & Sub-Sill

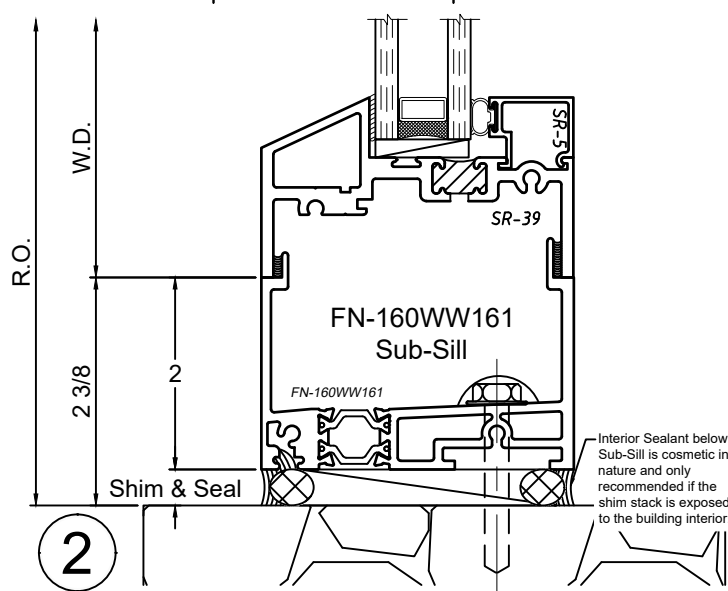
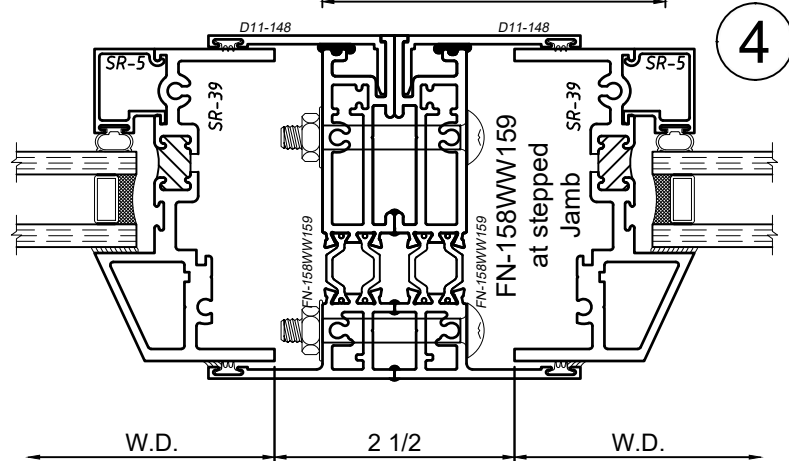
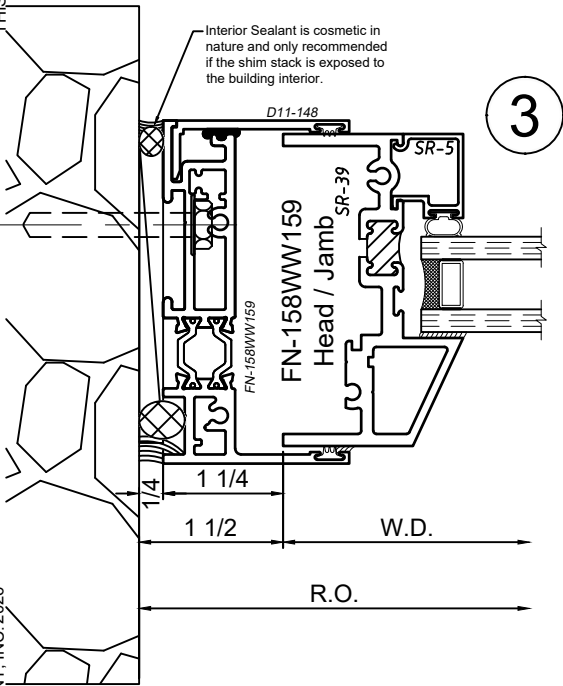
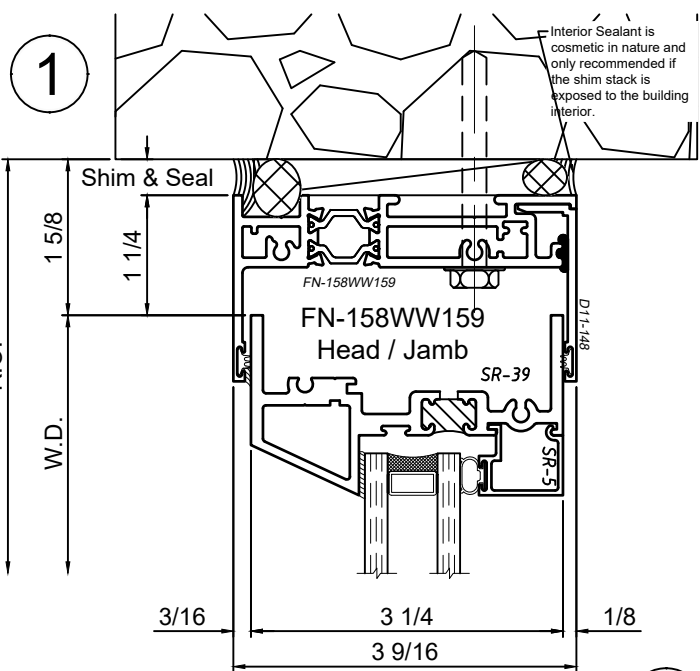


Note: Trim shown is a sampling of WINCO's offering. Not all shapes are held in stock and minimum quantity order may be required. Consult your local WINCO sales representative for other trims available. It is WINCO's recommendation to install all trim and materials per WINCO's installation instructions.

WINCO RESERVES THE RIGHT TO MODIFY OR CHANGE INFORMATION WITHIN THIS BOOK WHEN DEEMED NECESSARY FOR PRODUCT IMPROVEMENT



See 3250 or 8325 Window Section(s) for possible window frame configurations.



© WINCO WINDOW COMPANY, INC. 2026

SCALE 6"=1'-0"

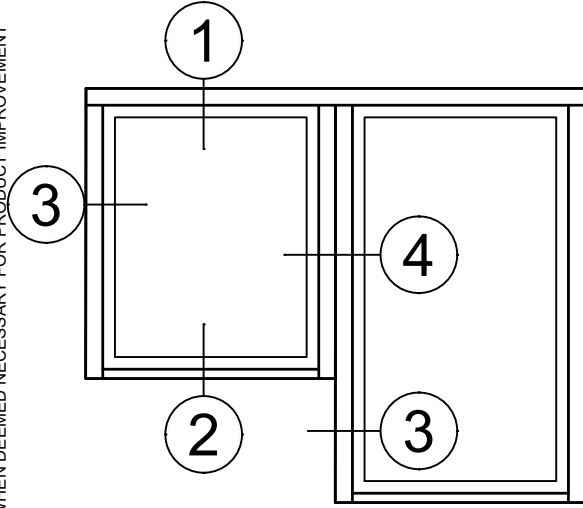
# Strut Receptor Sections - 3250 Series

## Product Details - Head / Jamb Receptors and Sub-Sills

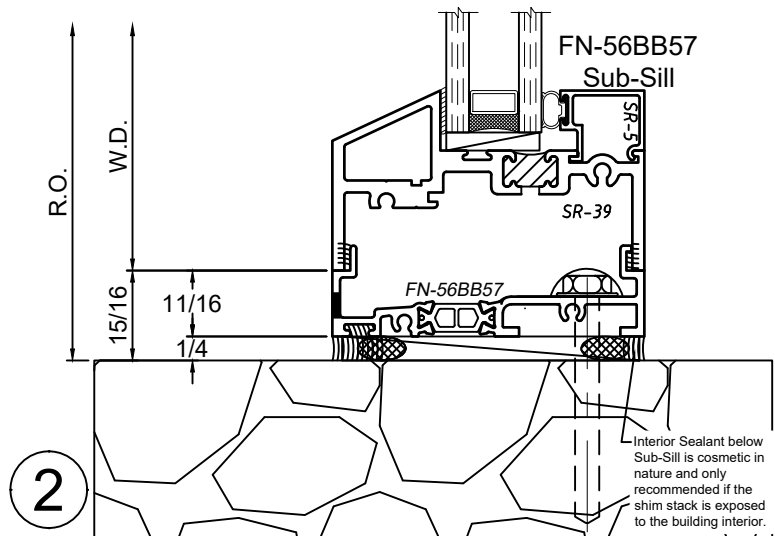
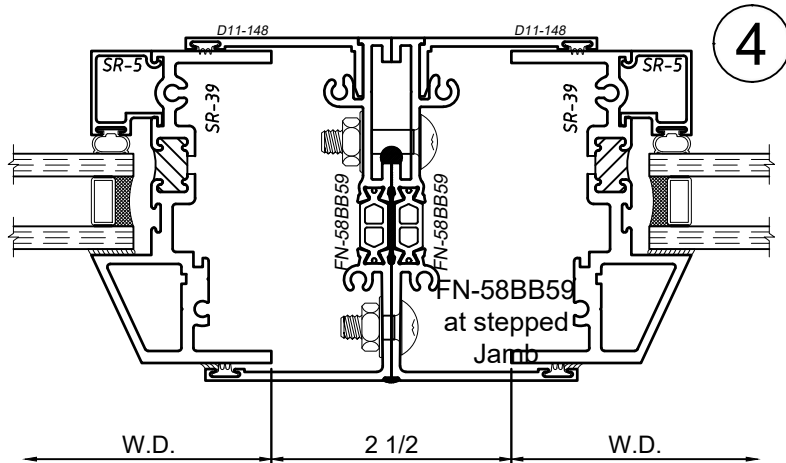
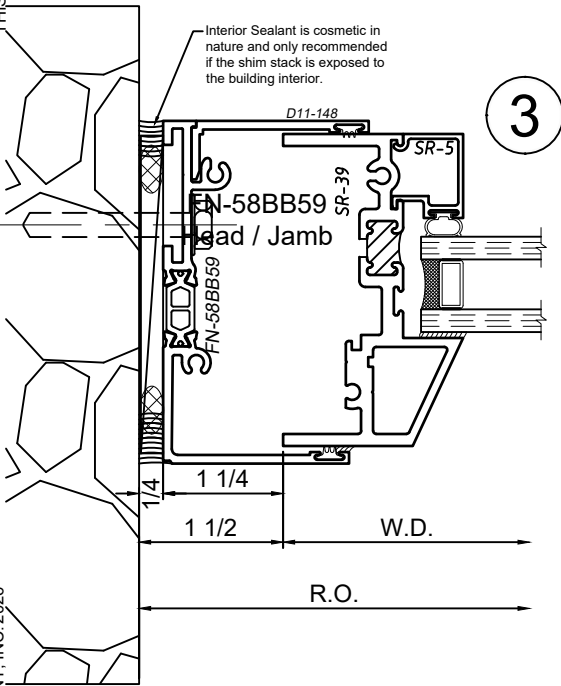
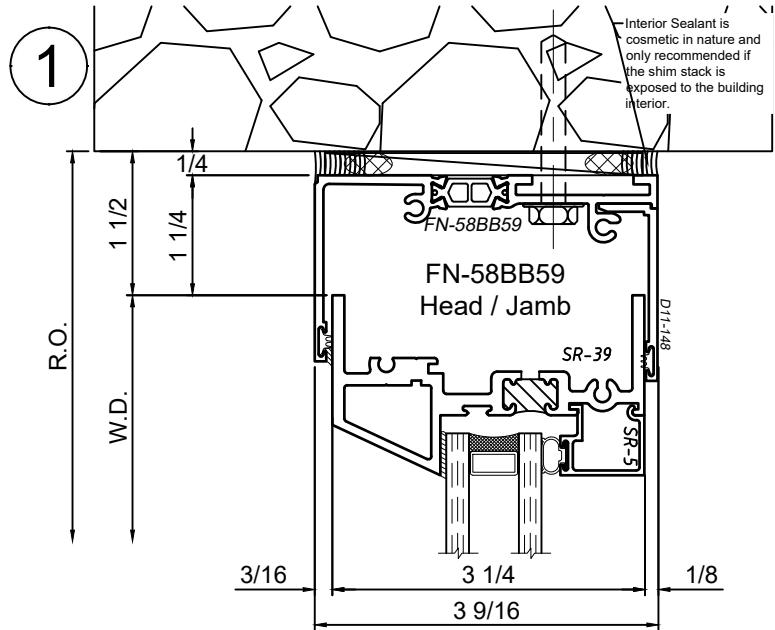


Note: Trim shown is a sampling of WINCO's offering. Not all shapes are held in stock and minimum quantity order may be required. Consult your local WINCO sales representative for other trims available. It is WINCO's recommendation to install all trim and materials per WINCO's installation instructions.

WINCO RESERVES THE RIGHT TO MODIFY OR CHANGE INFORMATION WITHIN THIS BOOK WHEN DEEMED NECESSARY FOR PRODUCT IMPROVEMENT



See 8325 Window Section(s) for possible window frame configurations.



SCALE 6"=1'-0"

© WINCO WINDOW COMPANY, INC. 2026

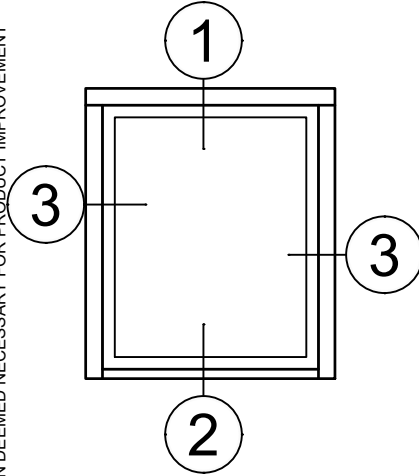
# Blast Receptor Sections - 3250 Series

## Product Details - Head / Jamb Receptors and Sub-Sills

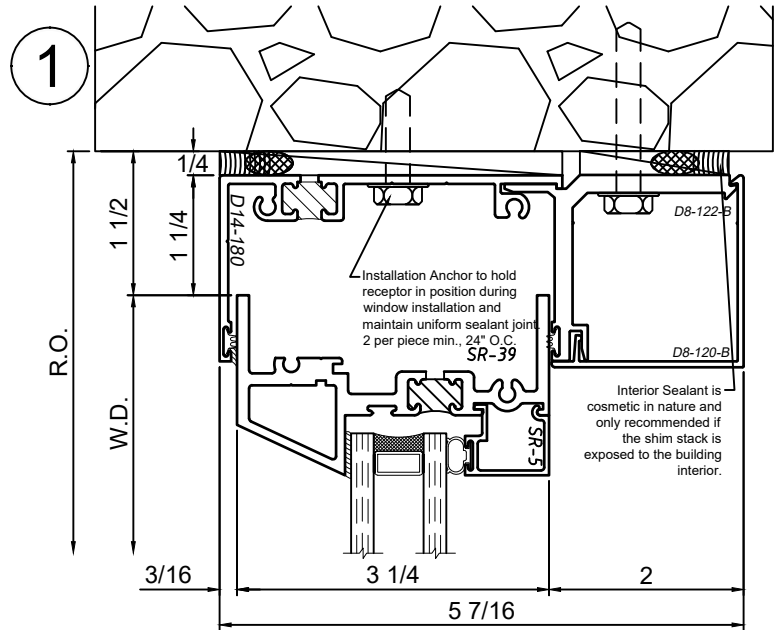


Note: Trim shown is a sampling of WINCO's offering. Not all shapes are held in stock and minimum quantity order may be required. Consult your local WINCO sales representative for other trims available. It is WINCO's recommendation to install all trim and materials per WINCO's installation instructions.

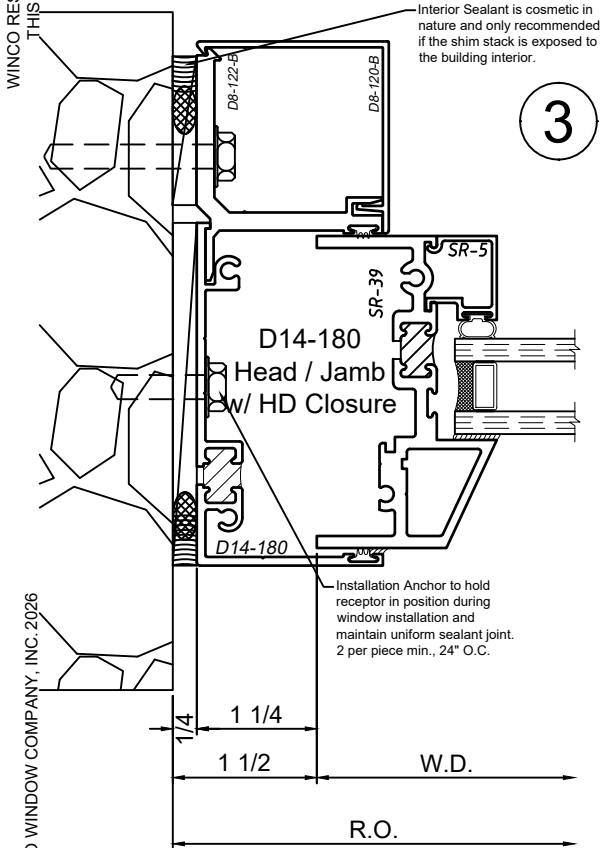
WINCO RESERVES THE RIGHT TO MODIFY OR CHANGE INFORMATION WITHIN THIS BOOK WHEN DEEMED NECESSARY FOR PRODUCT IMPROVEMENT



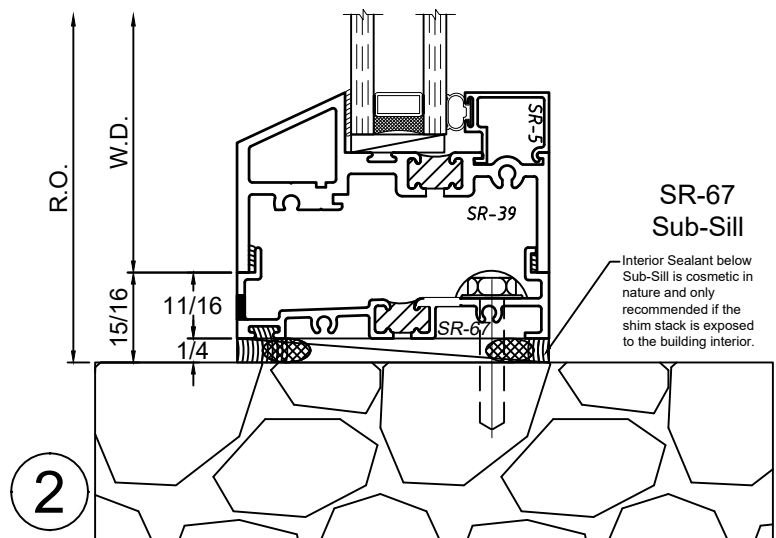
See 3250 Window Section(s) for possible window frame configurations.



**D14-180**  
Head / Jamb  
w/ HD Closure



© WINCO WINDOW COMPANY, INC. 2026



**2**

SCALE 6"=1'-0"