

# 3250 Series 3-1/4" Thermal Fixed, Casement & Projected Windows


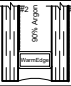
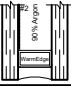
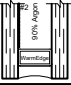
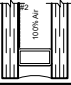
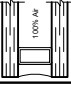
## Product Information



WINCO RESERVES THE RIGHT TO MODIFY OR CHANGE INFORMATION WITHIN THIS BOOK WHEN DEEMED NECESSARY FOR PRODUCT IMPROVEMENT

### PERFORMANCE

The Series 3250 window is a thermally broken mainframe and sash that exceeds the performance specification criteria as required by ANSI/AAMA for AW (Architectural Grade) windows.

<p>Fixed (Picture Window)</p>  <p>NAFS / AAMA 101 Test Size 36" x 60" Class: AW Performance Grade: 120 Air Infiltration: &lt;0.0 CFM Water Infiltration Resistance: &gt; 12 psf</p> <p>Can be Configured for ADA Compliance <input checked="" type="checkbox"/> Not-Applicable <input type="checkbox"/> Yes</p> <p>Can be configured to meet Windborne Debris Impact Resistance to ASTM E1886 / ASTM E1996 <input type="checkbox"/> Not Rated <input checked="" type="checkbox"/> Missile "D" <input type="checkbox"/> Missile "E"</p> <p>Product Type may be configured for Blast Resistant Installation <input type="checkbox"/> No <input checked="" type="checkbox"/> Yes<sup>6</sup></p>	 <p><math>U_{COG}=0.20</math> Btu/hr-ft<sup>2</sup>-°F Tripple Silver Low-E #2 x 90% Argon x Low-E No.4 example: SNX 62/27 or Solarban70 + IS20 or Sungate Therml</p>	<p>NFRC Size <sup>1</sup> 47" x 59" <math>U_{Window}=0.31</math> Btu/h-ft<sup>2</sup>-°f<sup>2</sup>   CI= -- (NFRC 501)<sup>2</sup></p> <p>NAFS Size <sup>3</sup> 60" x 99" <math>U_{Window}=0.27</math> Btu/h-ft<sup>2</sup>-°f<sup>4</sup>   CRF= 63 (AAMA 1503)<sup>5</sup></p>
	 <p><math>U_{COG}=0.24</math> Btu/hr-ft<sup>2</sup>-°F Tripple Silver Low-E #2 x 90% Argon x Uncoated example: SNX 62/27 or Solarban70</p>	<p>NFRC Size <sup>1</sup> 47" x 59" <math>U_{Window}=0.34</math> Btu/h-ft<sup>2</sup>-°f<sup>2</sup>   CI= -- (NFRC 501)<sup>2</sup></p> <p>NAFS Size <sup>3</sup> 60" x 99" <math>U_{Window}=0.31</math> Btu/h-ft<sup>2</sup>-°f<sup>4</sup>   CRF= 63 (AAMA 1503)<sup>5</sup></p>
	 <p><math>U_{COG}=0.29</math> Btu/hr-ft<sup>2</sup>-°F Double Silver Low-E #2 x 100% Air x Uncoated example: SN-68 or Solarban60</p>	<p>NFRC Size <sup>1</sup> 47" x 59" <math>U_{Window}=0.38</math> Btu/h-ft<sup>2</sup>-°f<sup>2</sup>   CI= -- (NFRC 501)<sup>2</sup></p> <p>NAFS Size <sup>3</sup> 60" x 99" <math>U_{Window}=0.35</math> Btu/h-ft<sup>2</sup>-°f<sup>4</sup>   CRF= 63 (AAMA 1503)<sup>5</sup></p>
	 <p><math>U_{COG}=0.34</math> Btu/hr-ft<sup>2</sup>-°F Single Silver Low-E #2 x 100% Air x Uncoated example: ES73 or Energy Advantage (Air, Aluminum Box-Spacer)</p>	<p>NFRC Size <sup>1</sup> 47" x 59" <math>U_{Window}=0.41</math> Btu/h-ft<sup>2</sup>-°f<sup>2</sup>   CI= -- (NFRC 501)<sup>2</sup></p> <p>NAFS Size <sup>3</sup> 60" x 99" <math>U_{Window}=0.39</math> Btu/h-ft<sup>2</sup>-°f<sup>4</sup>   CRF= 63 (AAMA 1503)<sup>5</sup></p>
	 <p><math>U_{COG}=0.47</math> Btu/hr-ft<sup>2</sup>-°F Uncoated x 100% Air x Uncoated example: Clear over Clear (Air, Aluminum Box-Spacer)</p>	<p>NFRC Size <sup>1</sup> 47" x 59" <math>U_{Window}=0.52</math> Btu/h-ft<sup>2</sup>-°f<sup>2</sup>   CI= -- (NFRC 501)<sup>2</sup></p> <p>NAFS Size <sup>3</sup> 60" x 99" <math>U_{Window}=0.50</math> Btu/h-ft<sup>2</sup>-°f<sup>4</sup>   CRF= -- (AAMA 1503)<sup>5</sup></p>

This information is based on current product design, sealed dual glazing, warm edge spacers and testing standards. Solar Heat Gain Coefficient (SHGC) is not predicted since this is highly variable with Glass Tint & Low-E Coating Product. Please contact WINCO for project specific information.

<sup>1</sup> NFRC 101 Test & Rating Size

<sup>2</sup> Based on NFRC 100/200/500 Rating and LBNL Window 7.8 Simulations following NFRC Protocols

<sup>3</sup> AAMA 101 (NAFS) Gateway Test Size

<sup>4</sup> Based on LBNL Window Simulations following NFRC Protocols

<sup>5</sup> AAMA 101 Test Size and AAMA 1503 Test Protocol

<sup>6</sup> Blast Resistant Configuration is highly dependant on Product Size, Blast Design Load(s) and Project Specific Glass, Frame & Connection Response (Required Level of Protection, Allowable Hazard Level)

© WINCO WINDOW COMPANY, INC. 2026

# 3250 Series 3-1/4" Thermal Fixed, Casement & Projected Windows

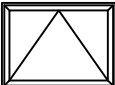

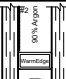

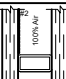
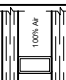
## Product Information



WINCO RESERVES THE RIGHT TO MODIFY OR CHANGE INFORMATION WITHIN THIS BOOK WHEN DEEMED NECESSARY FOR PRODUCT IMPROVEMENT

### PERFORMANCE

The Series 3250 window is a thermally broken mainframe and sash that exceeds the performance specification criteria as required by ANSI/AAMA for AW (Architectural Grade) windows.

<p>Project Out Awning (PO)</p>  <p>NAFS / AAMA 101 Test Size 60" x 36" Class: AW Performance Grade: 120 Air Infiltration: &lt;0.05 CFM Water Infiltration Resistance: &gt; 12 psf</p> <p>Can be Configured for ADA Compliance <input type="checkbox"/> Not-Applicable <input checked="" type="checkbox"/> Yes</p> <p>Can be configured to meet Windborne Debris Impact Resistance to ASTM E1886 / ASTM E1996 <input type="checkbox"/> Not Rated <input checked="" type="checkbox"/> Missile "D" <input type="checkbox"/> Missile "E"</p> <p>Product Type may be configured for Blast Resistant Installation <input type="checkbox"/> No <input checked="" type="checkbox"/> Yes<sup>6</sup></p>	 <p><math>U_{COG}=0.20</math> Btu/hr-ft<sup>2</sup>-°F Tripple Silver Low-E #2 x 90% Argon x Low-E No.4 example: SNX 62/27 or Solarban70 + IS20 or Sungate ThermoL</p>
	<p>NFRC Size<sup>1</sup> 59" x 24" <math>U_{Window}=0.42</math> Btu/h-ft<sup>2</sup>-°f<sup>2</sup></p>
	<p>NAFS Size<sup>3</sup> 60" x 36" <math>U_{Window}=0.37</math> Btu/h-ft<sup>2</sup>-°f<sup>4</sup>   CRF= 59 (AAMA 1503)<sup>5</sup></p>
	 <p><math>U_{COG}=0.24</math> Btu/hr-ft<sup>2</sup>-°F Tripple Silver Low-E #2 x 90% Argon x Uncoated example: SNX 62/27 or Solarban70</p>
	<p>NFRC Size<sup>1</sup> 59" x 24" <math>U_{Window}=0.44</math> Btu/h-ft<sup>2</sup>-°f<sup>2</sup></p>
	<p>NAFS Size<sup>3</sup> 60" x 36" <math>U_{Window}=0.39</math> Btu/h-ft<sup>2</sup>-°f<sup>4</sup>   CRF= 59 (AAMA 1503)<sup>5</sup></p>
	 <p><math>U_{COG}=0.29</math> Btu/hr-ft<sup>2</sup>-°F Double Silver Low-E #2 x 100% Air x Uncoated example: SN-68 or Solarban60</p>
	<p>NFRC Size<sup>1</sup> 59" x 24" <math>U_{Window}=0.47</math> Btu/h-ft<sup>2</sup>-°f<sup>2</sup></p>
	<p>NAFS Size<sup>3</sup> 60" x 36" <math>U_{Window}=0.42</math> Btu/h-ft<sup>2</sup>-°f<sup>4</sup>   CRF= 59 (AAMA 1503)<sup>5</sup></p>
	 <p><math>U_{COG}=0.34</math> Btu/hr-ft<sup>2</sup>-°F Single Silver Low-E #2 x 100% Air x Uncoated example: ES73 or Energy Advantage (Air, Aluminum Box-Spacer)</p>
	<p>NFRC Size<sup>1</sup> 59" x 24" <math>U_{Window}=0.52</math> Btu/h-ft<sup>2</sup>-°f<sup>2</sup></p>
	<p>NAFS Size<sup>3</sup> 60" x 36" <math>U_{Window}=0.48</math> Btu/h-ft<sup>2</sup>-°f<sup>4</sup>   CRF= 59 (AAMA 1503)<sup>5</sup></p>
 <p><math>U_{COG}=0.47</math> Btu/hr-ft<sup>2</sup>-°F Uncoated x 100% Air x Uncoated</p>	
<p>NFRC Size<sup>1</sup> 59" x 24" <math>U_{Window}=0.63</math> Btu/h-ft<sup>2</sup>-°f<sup>2</sup></p>	
<p>NAFS Size<sup>3</sup> 60" x 36" <math>U_{Window}=0.59</math> Btu/h-ft<sup>2</sup>-°f<sup>4</sup>   CRF= -- (AAMA 1503)<sup>5</sup></p>	

This Information is based on current product design, sealed dual glazing, warm edge spacers and testing standards. Solar Heat Gain Coefficient (SHGC) is not predicted since this is highly variable with Glass Tint & Low-E Coating Product. Please contact WINCO for project specific information.

<sup>1</sup> NFRC 101 Test & Rating Size

<sup>2</sup> Based on NFRC 100/200/500 Rating and LBNL Window 7.8 Simulations following NFRC Protocols

<sup>3</sup> AAMA 101 (NAFS) Gateway Test Size

<sup>4</sup> Based on LBNL Window Simulations following NFRC Protocols

<sup>5</sup> AAMA 101 Test Size and AAMA 1503 Test Protocol

<sup>6</sup> Blast Resistant Configuration is highly dependant on Product Size, Blast Design Load(s) and Project Specific Glass, Frame & Connection Response (Required Level of Protection, Allowable Hazard Level)

© WINCO WINDOW COMPANY, INC. 2026

# 3250 Series 3-1/4" Thermal Fixed, Casement & Projected Windows

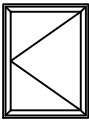

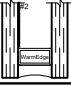

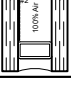
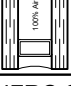
## Product Information



WINCO RESERVES THE RIGHT TO MODIFY OR CHANGE INFORMATION WITHIN THIS BOOK WHEN DEEMED NECESSARY FOR PRODUCT IMPROVEMENT

### PERFORMANCE

The Series 3250 window is a thermally broken mainframe and sash that exceeds the performance specification criteria as required by ANSI/AAMA for AW (Architectural Grade) windows.

 <p>Project Out Casement (POC)</p> <p>NAFS / AAMA 101 Test Size 36" x 60" Class: AW Performance Grade: 120 Air Infiltration: &lt;0.02 CFM Water Infiltration Resistance: &gt; 12 psf</p> <p>Can be Configured for ADA Compliance <input type="checkbox"/> Not-Applicable <input checked="" type="checkbox"/> Yes</p> <p>Can be configured to meet Windborne Debris Impact Resistance to ASTM E1886 / ASTM E1996 <input type="checkbox"/> Not Rated <input checked="" type="checkbox"/> Missile "D" <input type="checkbox"/> Missile "E"</p> <p>Product Type may be configured for Blast Resistant Installation <input type="checkbox"/> No <input checked="" type="checkbox"/> Yes<sup>6</sup></p>	 <p><math>U_{COG}=0.20</math> Btu/hr-ft<sup>2</sup>-°F Tripple Silver Low-E #2 x 90% Argon x Low-E No.4 example: SNX 62/27 or Solarban70 + IS20 or Sungate Therml</p>	
	<p>NFRC Size<sup>1</sup> 24" x 59" <math>U_{Window}=0.42</math> Btu/h-ft<sup>2</sup>-°f<sup>2</sup></p>	
	<p>NAFS Size<sup>3</sup> 36" x 60" <math>U_{Window}=0.37</math> Btu/h-ft<sup>2</sup>-°f<sup>4</sup></p>	CRF= 59 (AAMA 1503) <sup>5</sup>
	 <p><math>U_{COG}=0.24</math> Btu/hr-ft<sup>2</sup>-°F Tripple Silver Low-E #2 x 90% Argon x Uncoated example: SNX 62/27 or Solarban70 on No.2 surface</p>	
	<p>NFRC Size<sup>1</sup> 24" x 59" <math>U_{Window}=0.44</math> Btu/h-ft<sup>2</sup>-°f<sup>2</sup></p>	
	<p>NAFS Size<sup>3</sup> 36" x 60" <math>U_{Window}=0.39</math> Btu/h-ft<sup>2</sup>-°f<sup>4</sup></p>	CRF= 59 (AAMA 1503) <sup>5</sup>
	 <p><math>U_{COG}=0.29</math> Btu/hr-ft<sup>2</sup>-°F Double Silver Low-E #2 x 100% Air x Uncoated example: SN-68 or Solarban60 on No.2 surface</p>	
	<p>NFRC Size<sup>1</sup> 24" x 59" <math>U_{Window}=0.47</math> Btu/h-ft<sup>2</sup>-°f<sup>2</sup></p>	
	<p>NAFS Size<sup>3</sup> 36" x 60" <math>U_{Window}=0.42</math> Btu/h-ft<sup>2</sup>-°f<sup>4</sup></p>	CRF= 59 (AAMA 1503) <sup>5</sup>
	 <p><math>U_{COG}=0.34</math> Btu/hr-ft<sup>2</sup>-°F Single Silver Low-E #2 x 100% Air x Uncoated example: ES73 or Energy Advantage on No.2 surface (100% Air, AL Box-Spacer)</p>	
	<p>NFRC Size<sup>1</sup> 24" x 59" <math>U_{Window}=0.52</math> Btu/h-ft<sup>2</sup>-°f<sup>2</sup></p>	
	<p>NAFS Size<sup>3</sup> 36" x 60" <math>U_{Window}=0.48</math> Btu/h-ft<sup>2</sup>-°f<sup>4</sup></p>	CRF= 59 (AAMA 1503) <sup>5</sup>
 <p><math>U_{COG}=0.47</math> Btu/hr-ft<sup>2</sup>-°F Uncoated x 100% Air x Uncoated</p>		
<p>NFRC Size<sup>1</sup> 24" x 59" <math>U_{Window}=0.63</math> Btu/h-ft<sup>2</sup>-°f<sup>2</sup></p>		
<p>NAFS Size<sup>3</sup> 36" x 60" <math>U_{Window}=0.59</math> Btu/h-ft<sup>2</sup>-°f<sup>4</sup></p>	CRF= -- (AAMA 1503) <sup>5</sup>	

This Information is based on current product design, sealed dual glazing, warm edge spacers and testing standards. Solar Heat Gain Coefficient (SHGC) is not predicted since this is highly variable with Glass Tint & Low-E Coating Product. Please contact WINCO for project specific information.

<sup>1</sup> NFRC 101 Test & Rating Size

<sup>2</sup> Based on NFRC 100/200/500 Rating and LBNL Window 7.8 Simulations following NFRC Protocols

<sup>3</sup> AAMA 101 (NAFS) Gateway Test Size

<sup>4</sup> Based on LBNL Window Simulations following NFRC Protocols

<sup>5</sup> AAMA 101 Test Size and AAMA 1503 Test Protocol

<sup>6</sup> Blast Resistant Configuration is highly dependant on Product Size, Blast Design Load(s) and Project Specific Glass, Frame & Connection Response (Required Level of Protection, Allowable Hazard Level)

© WINCO WINDOW COMPANY, INC. 2026

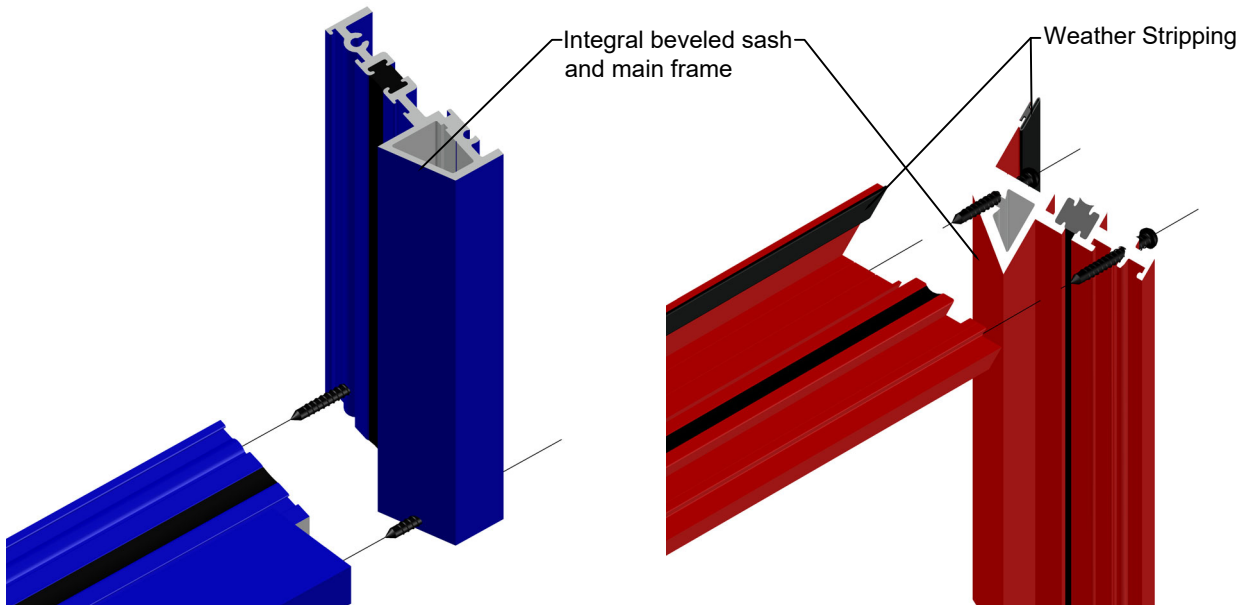
### CONSTRUCTION

**MATERIAL** - The Series 3250 window is a 3-1/4" deep frame depth with a nominal wall thickness of .125 inch. All material is extruded from 6063-T6 alloy.

**THERMAL BREAK** - All framing members of the window system are thermally broken. Winco uses the Azon Azo Brader® process to mechanically condition the surface of the thermal cavity. The process runs the entire length of the extrusion and creates serrations that insure proper adhesion of the structural polymer. The structural urethane is a high density 2 part formula providing optimum thermal performance for the most demanding conditions. The combination of the conditioning of the aluminum surface along with the two part urethane allows Winco to provide a full 10 year warranty against thermal break creep and shrinkage in accordance with AAMA 505-98.

**WEATHER-STRIP** - All operating ventilators have a double Santoprene®, non-shrinking dual durometer, thermoplastic rubber weather-stripping around the perimeter. One interior and one exterior.

**FABRICATION** - The main frame corners are coped and mechanically joined using two stainless steel spline screws per corner (fig 1). The vent is a hollow tube shaped extrusion for superior strength and rigidity. Vent corners are fully mitered and mechanically joined using two stainless steel spline screws per corner, aligning the members to form a hairline joint (fig 2). All frame joints are back sealed with small joint seam sealer providing a water tight joinery.



**(fig 1) Main Frame Construction**

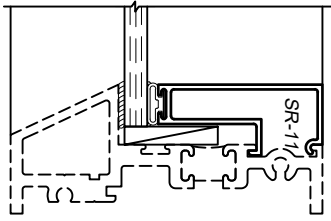
**(fig 2) Vent Construction**

# 3250 Series 3-1/4" Thermal Fixed, Casement & Projected Windows

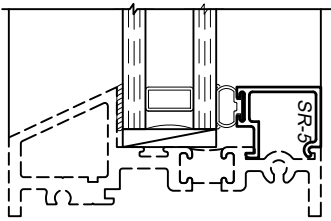
## Product Information - Glass Options & Combination



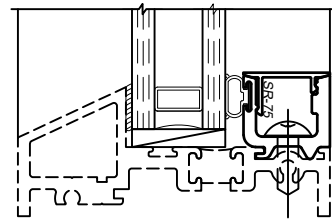
WINCO RESERVES THE RIGHT TO MODIFY OR CHANGE INFORMATION WITHIN THIS BOOK WHEN DEEMED NECESSARY FOR PRODUCT IMPROVEMENT



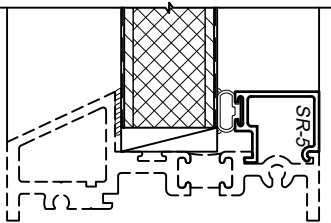
1/4" Glazing Bead  
SR-11



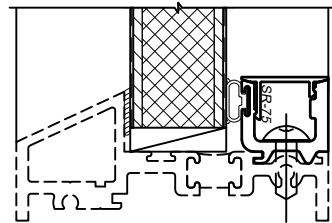
1" Glazing Bead  
SR-5



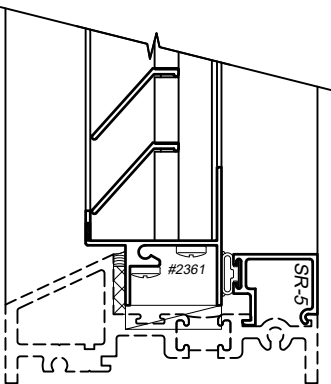
1" Glazing Bead  
SR-51 w/ SR-53 Cover



1" Glazing Bead  
(Insulated Panel)  
SR-5



1" Glazing Bead  
(Insulated Panel)  
SR-51 w/ SR-53 Cover



1" Glazing Bead  
(Louver)  
SR-5

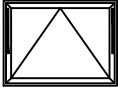
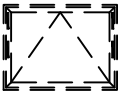
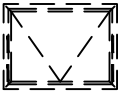
Note: glazing options shown are a sample of what is available. If desired glazing is not shown please contact your local Winco Sales Representative for additional information.

© WINCO WINDOW COMPANY, INC. 2026

### HARDWARE - Awning & Hopper Configurations

All exposed locking hardware, strikes and keepers are solid white bronze alloy with US25D brushed finish. All four bar arms, casement arms, friction arms and key release limit arms are stainless steel conforming to AAMA 904.1.

WINCO RESERVES THE RIGHT TO MODIFY OR CHANGE INFORMATION WITHIN THIS BOOK WHEN DEEMED NECESSARY FOR PRODUCT IMPROVEMENT

	<p>Project Out Awning (PO) w/ Default Hardware Kit</p> <p>Stainless Steel 4-Bar Hinges PO Cam Lock(s)<sup>1</sup></p>	<p><u>Optional Hardware Accessories:</u> Additional Jamb Mounted Cam Locks Access Control Cam Locks Additional Access Control Jamb Mounted Cam Locks Pole Ring Cam Lock(s)<sup>1</sup> Pole Ring Additional Pole Ring Lift Locks Non-Removable Limit Stop Key-Release Limit Stop</p>
	<p>Project Out Awning (PO) w/ Roto Operator</p> <p>This hardware configuration is not available in the 3250 Product Series</p>	
	<p>Project In Hopper (PI)</p> <p>This window configuration is not available in the 3250 Product Series</p>	

© WINCO WINDOW COMPANY, INC. 2026

Please contact WINCO for project specific information

<sup>1</sup> Lock Quantity is dependent on Operable Vent Width & Height, Additional Locks can be specified, but minimum Qty is determined by WINCO Engineering

### HARDWARE - Casement Configurations

All exposed locking hardware, strikes and keepers are solid white bronze alloy with US25D brushed finish. All four bar arms, casement arms, friction arms and key release limit arms are stainless steel conforming to AAMA 904.1. Five knuckle butt hinges are fabricated of 6063-T6 aluminum with nylon bushings and a stainless steel hinge pin.

	<p>Project Out Casement (POC)                  w/ Concealed Hinges</p> <p>Stainless Steel 4-Bar Casement Hinges                  Cam Lock(s)<sup>1</sup></p>	<p><u>Optional Hardware Accessories:</u>                  Access Control Cam Locks                  Pole Ring Cam Lock(s)<sup>1</sup>                  Pole Ring                  Non-Removable Limit Stop                  Key-Release Limit Stop</p>
	<p>Project In Casement (PIC)</p> <p>This window configuration                  is not available in the                  3250 Product Series</p>	
Empty section		
Empty section		

Please contact WINCO for project specific information

<sup>1</sup> Lock Quantity is dependent on Operable Vent Width & Height, Additional Locks can be specified, but minimum Qty is determined by WINCO Engineering

WINCO RESERVES THE RIGHT TO MODIFY OR CHANGE INFORMATION WITHIN THIS BOOK WHEN DEEMED NECESSARY FOR PRODUCT IMPROVEMENT

© WINCO WINDOW COMPANY, INC. 2026

## SCREENS

**FRAME** - frames are fabricated from 6063-T6 extruded aluminum alloy and temper. All screen frames are miter cut and corner keyed. The corners are mechanically crimped together for durability. The screen frame is finished to match the window frame.

**MESH** - Standard 0.011" aluminum screen wire mesh is produced from 5154 alloy with 18x16 pattern in Charcoal or Aluminum color. All mesh is applied to the screen frame with a roller spline making for easy and quick replacements. Optional fiberglass or 0.009" stainless steel mesh is available as an option.

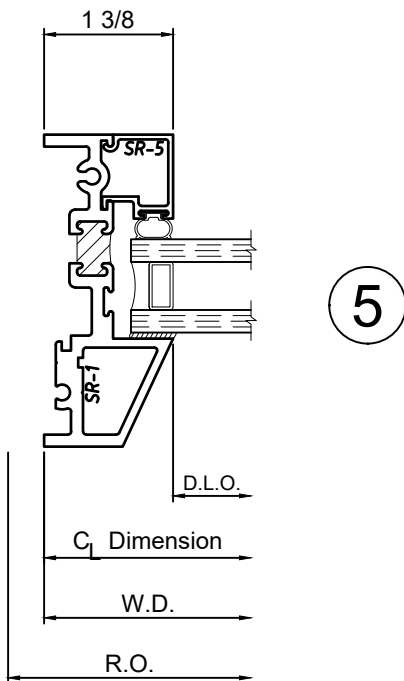
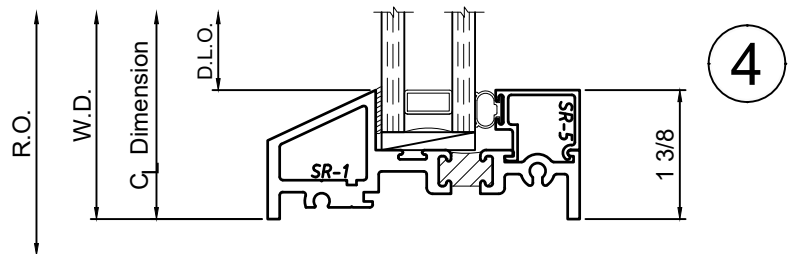
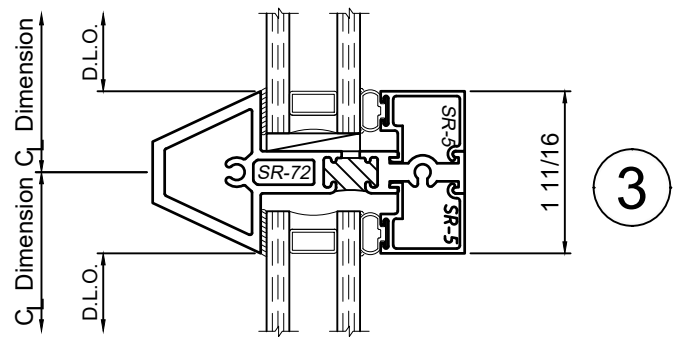
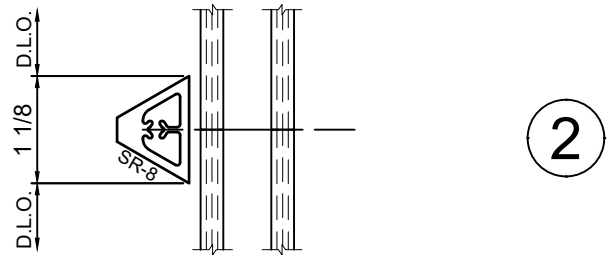
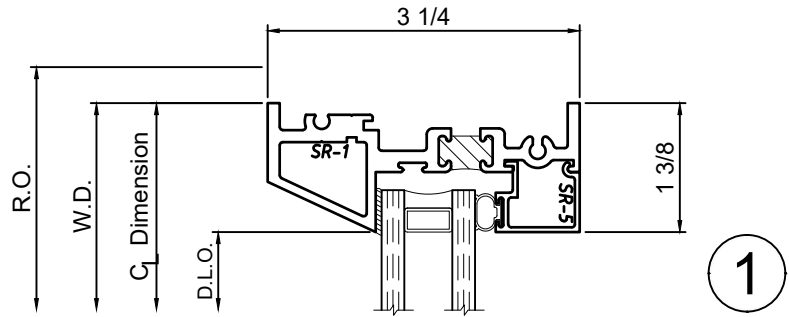
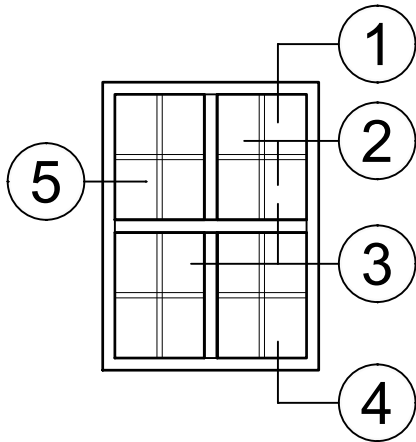
# 3250 Series 3-1/4" Thermal Fixed and Projected Windows

## Product Details - Fixed - Picture Window



Note: Multiple configurations of this window system are available. Refer to the WINCO website for additional options or contact your local WINCO Sales Representative for information.

WINCO RESERVES THE RIGHT TO MODIFY OR CHANGE INFORMATION WITHIN THIS BOOK WHEN DEEMED NECESSARY FOR PRODUCT IMPROVEMENT



© WINCO WINDOW COMPANY, INC. 2026

SCALE 6"=1'-0"

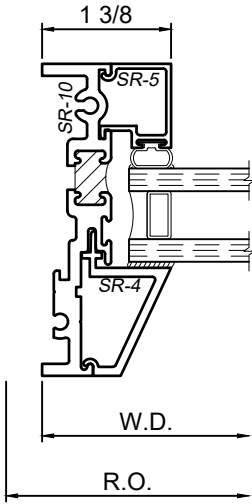
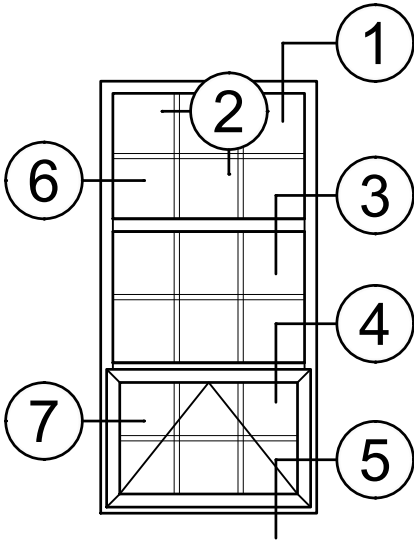
# 3250 Series 3-1/4" Thermal Fixed, Casement & Projected Windows

## Product Details - Fixed|PO Combination Window

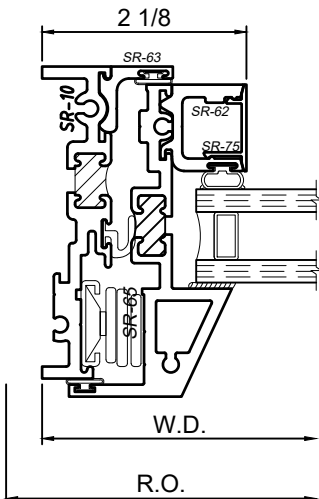


Note: Multiple configurations of this window system are available. Refer to the WINCO website for additional options or contact your local WINCO Sales Representative for information.

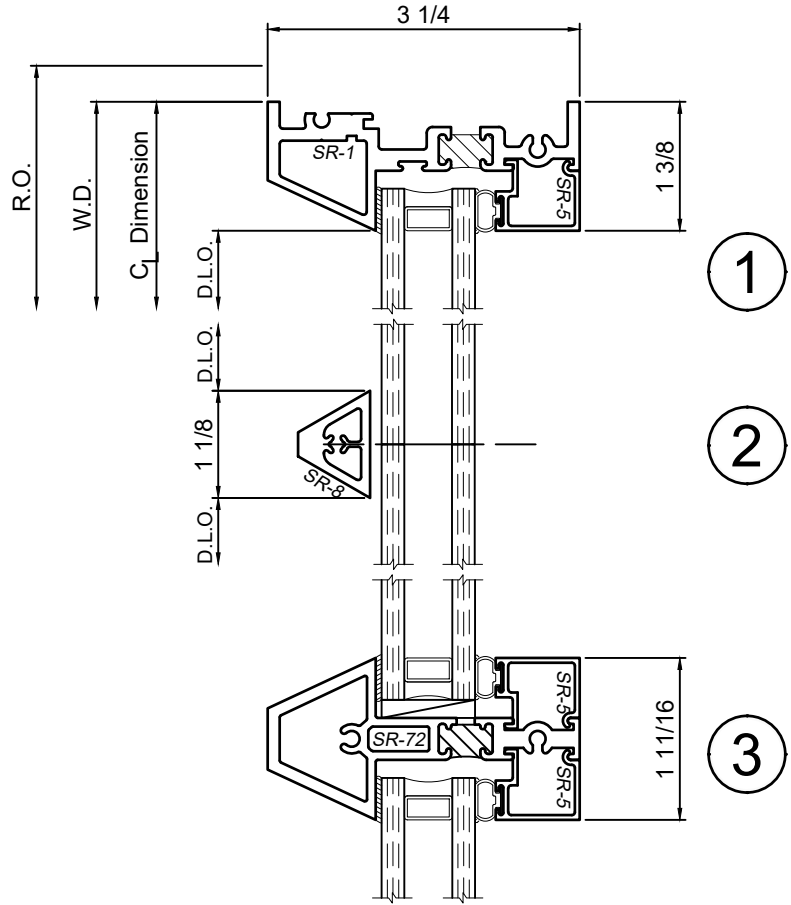
WINCO RESERVES THE RIGHT TO MODIFY OR CHANGE INFORMATION WITHIN THIS BOOK WHEN DEEMED NECESSARY FOR PRODUCT IMPROVEMENT



6



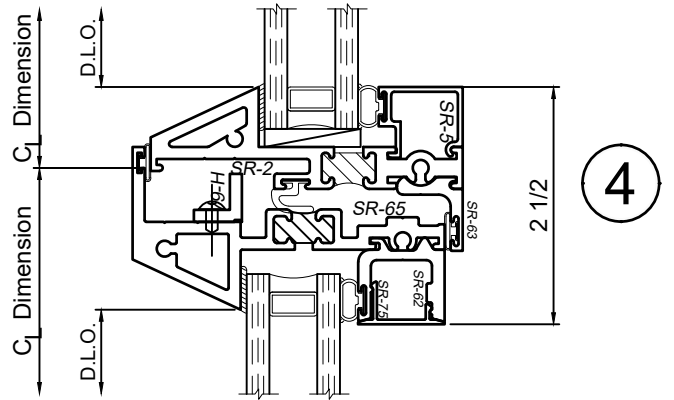
7



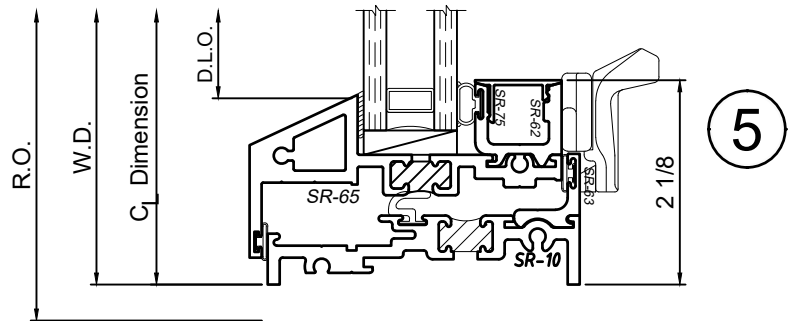
1

2

3



4



5

SCALE 6"=1'-0"

# 3250 Series 3-1/4" Thermal Fixed, Casement & Projected Windows

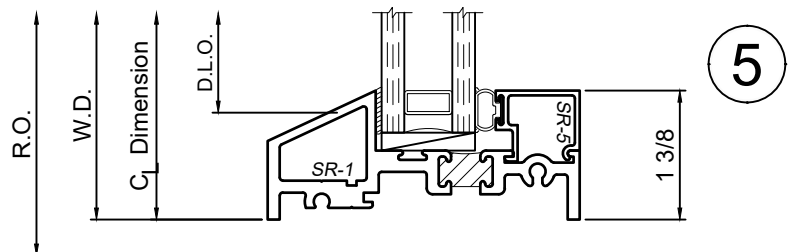
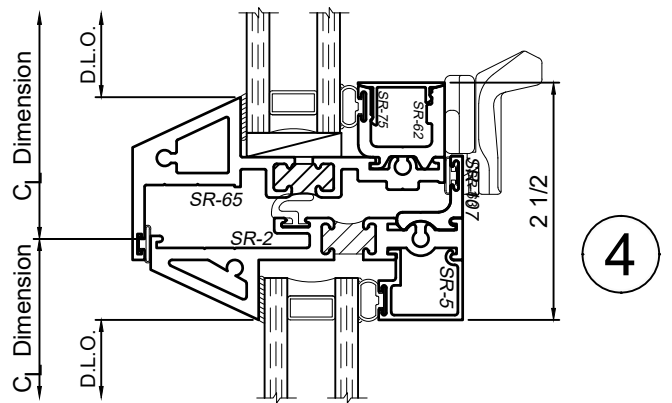
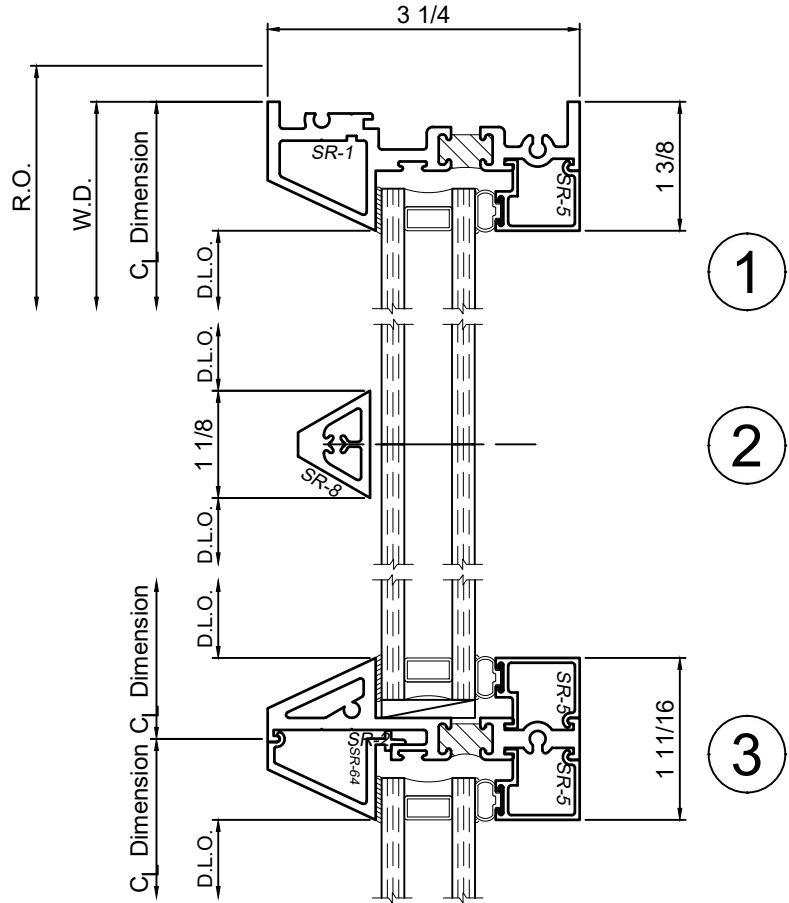
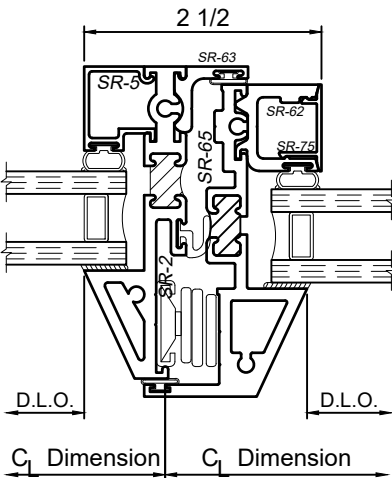
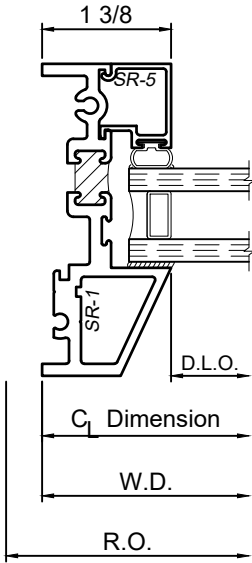
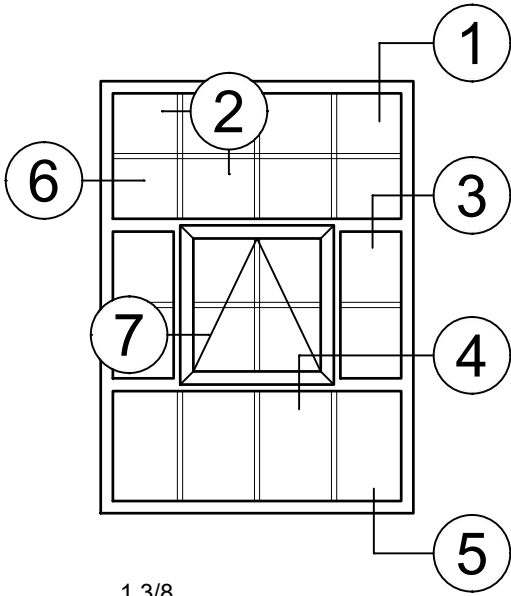
## Product Details - Combination Window w/ suspended Vent



Note: Multiple configurations of this window system are available. Refer to the WINCO website for additional options or contact your local WINCO Sales Representative for information.

WINCO RESERVES THE RIGHT TO MODIFY OR CHANGE INFORMATION WITHIN THIS BOOK WHEN DEEMED NECESSARY FOR PRODUCT IMPROVEMENT

© WINCO WINDOW COMPANY, INC. 2026



SCALE 6"=1'-0"

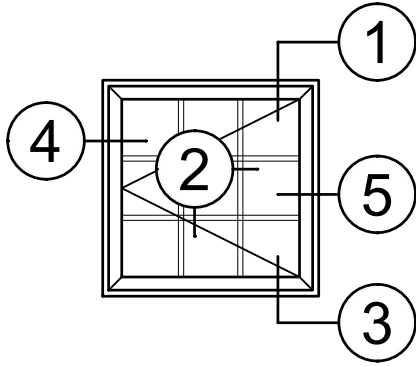
# 3250 Series 3-1/4" Thermal Fixed, Casement & Projected Windows

## Product Details - Outswing Casement

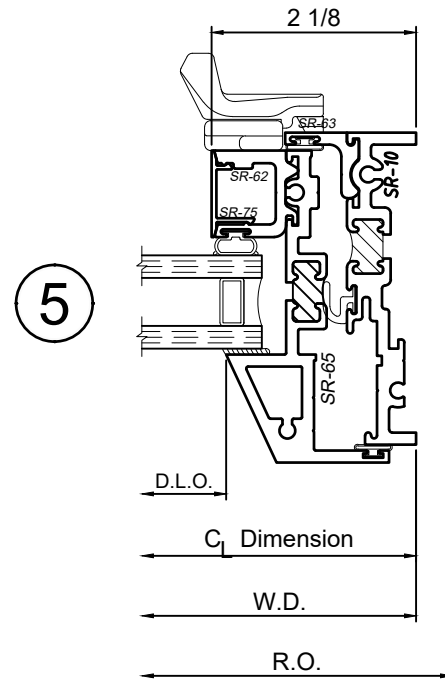
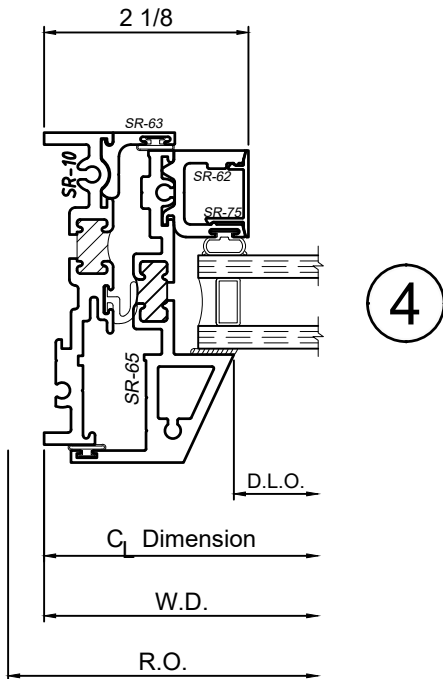
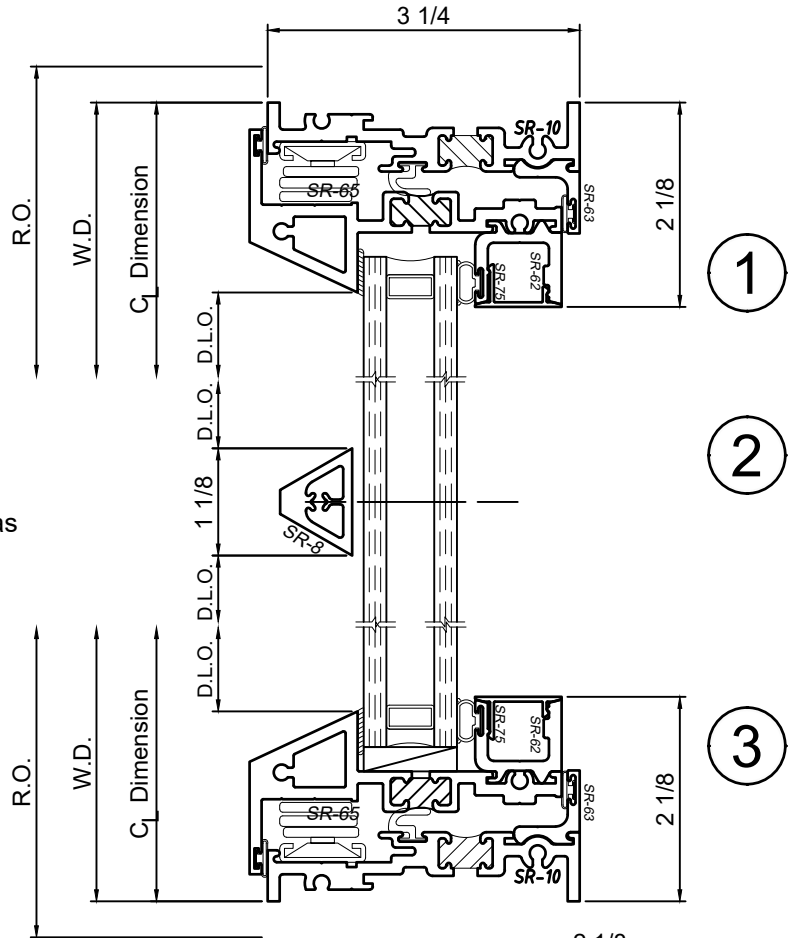


Note: Multiple configurations of this window system are available. Refer to the WINCO website for additional options or contact your local WINCO Sales Representative for information.

WINCO RESERVES THE RIGHT TO MODIFY OR CHANGE INFORMATION WITHIN THIS BOOK WHEN DEEMED NECESSARY FOR PRODUCT IMPROVEMENT



Casement available in PO only.  
 Concealed 4-Bar Hinges only.  
 Will not meet NFPA-101 code for means as secondary egress.



SCALE 6"=1'-0"

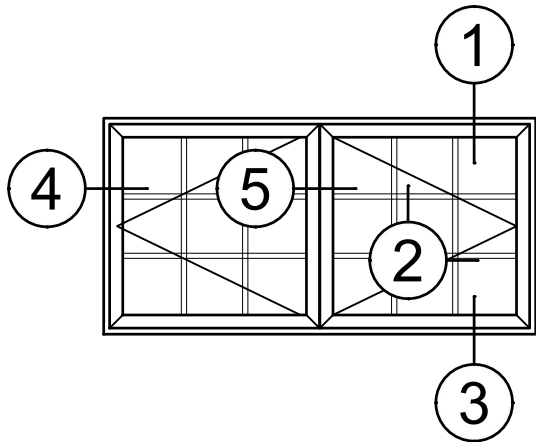
# 3250 Series 3-1/4" Thermal Fixed, Casement & Projected Windows

## Product Details - Butterfly Casement - Outswing

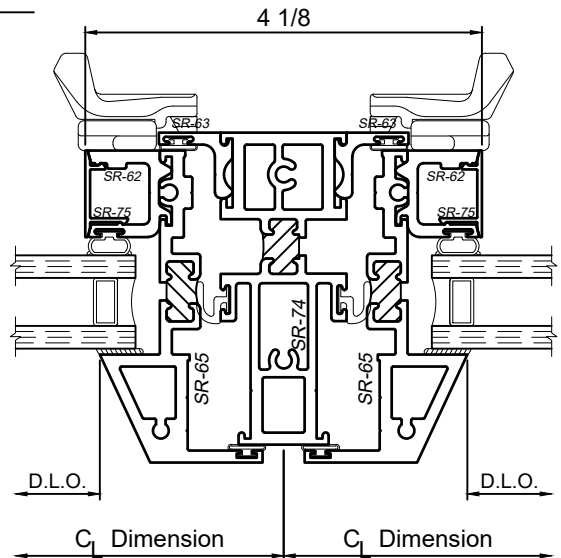
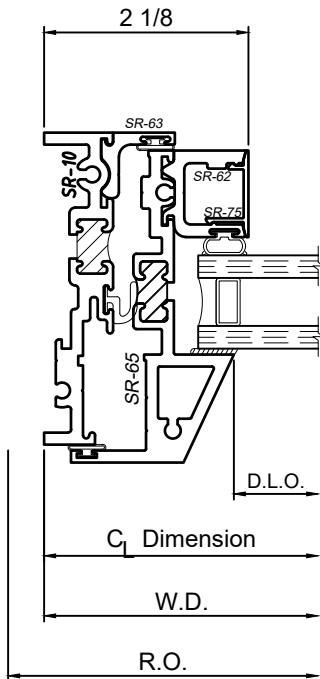
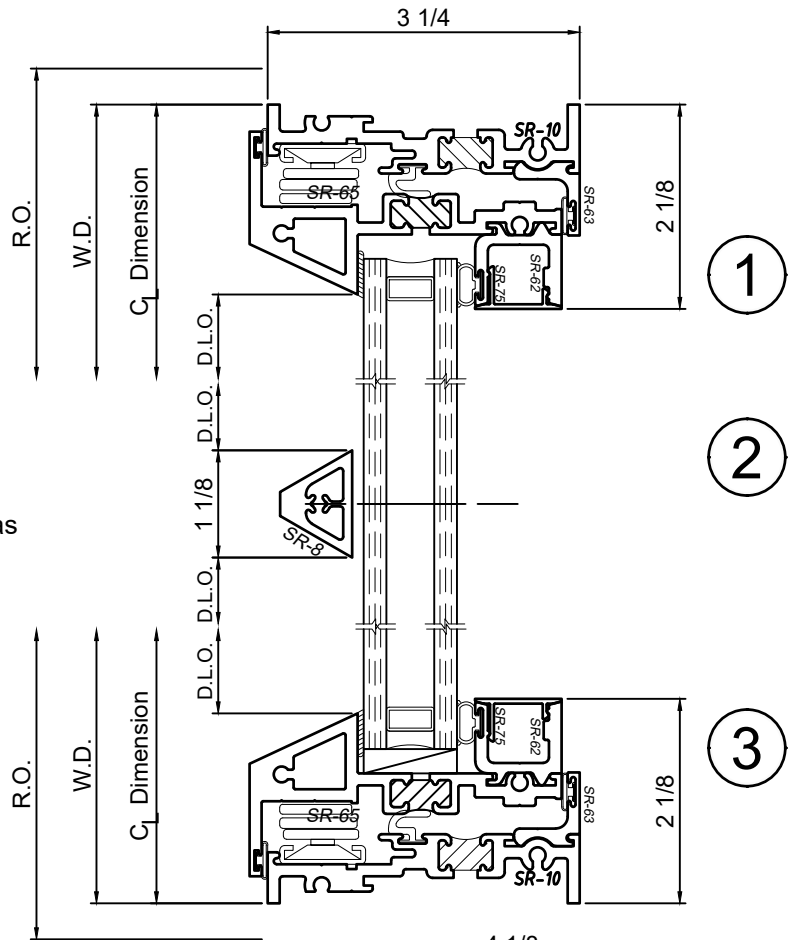


Note: Multiple configurations of this window system are available. Refer to the WINCO website for additional options or contact your local WINCO Sales Representative for information.

WINCO RESERVES THE RIGHT TO MODIFY OR CHANGE INFORMATION WITHIN THIS BOOK WHEN DEEMED NECESSARY FOR PRODUCT IMPROVEMENT



Casement available in PO only.  
 Concealed 4-Bar Hinges only.  
 Will not meet NFPA-101 code for means as secondary egress.



© WINCO WINDOW COMPANY, INC. 2026

SCALE 6"=1'-0"

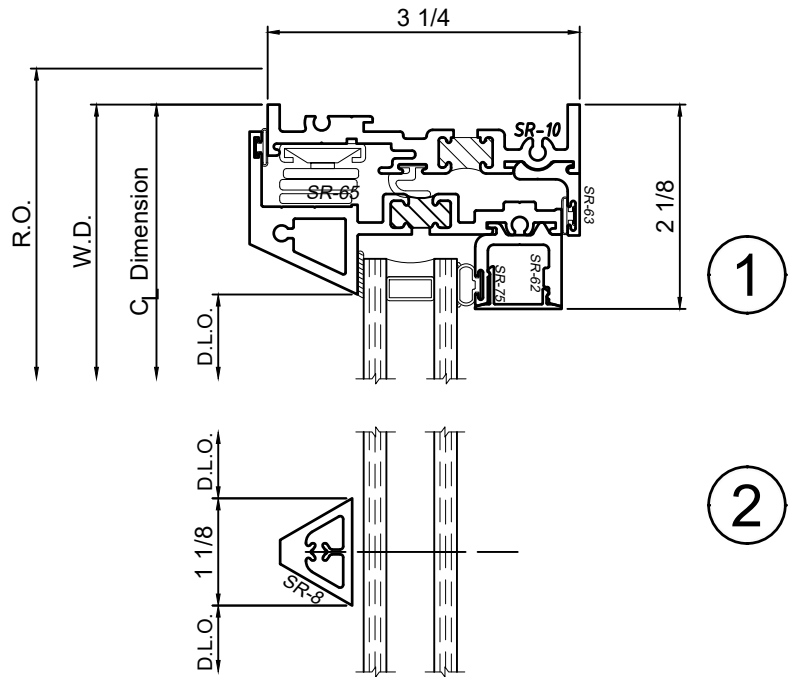
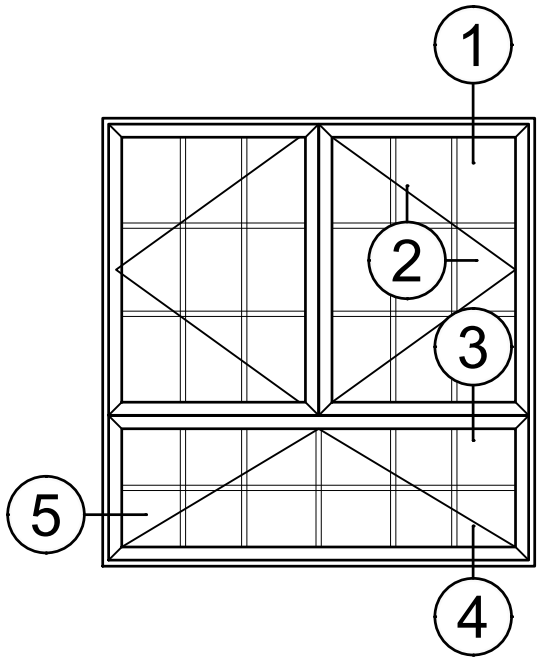
# 3250 Series 3-1/4" Thermal Fixed, Casement & Projected Windows

## Product Details - Butterfly Casement over PO Vent

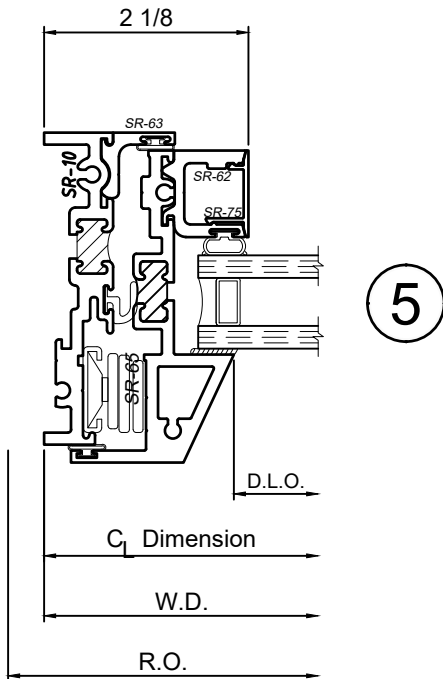
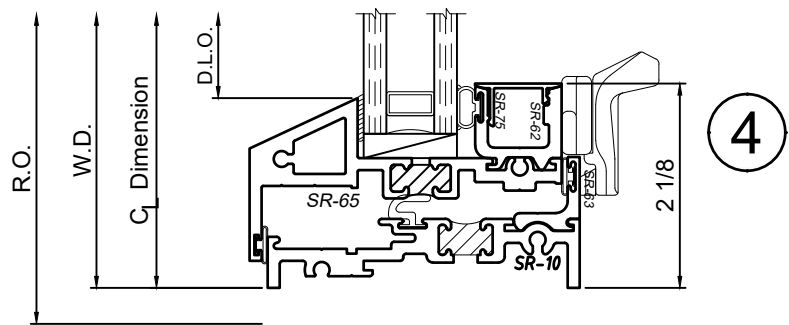
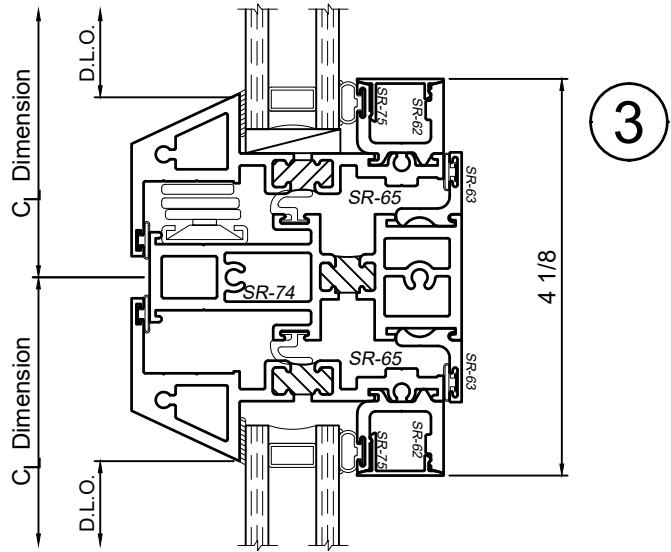


Note: Multiple configurations of this window system are available. Refer to the WINCO website for additional options or contact your local WINCO Sales Representative for information.

WINCO RESERVES THE RIGHT TO MODIFY OR CHANGE INFORMATION WITHIN THIS BOOK WHEN DEEMED NECESSARY FOR PRODUCT IMPROVEMENT



Butterfly Casement / PO Vent available in PO only.  
 Concealed 4-Bar Hinges only.  
 Will not meet NFPA-101 code for means as secondary egress.



© WINCO WINDOW COMPANY, INC. 2026

SCALE 6"=1'-0"

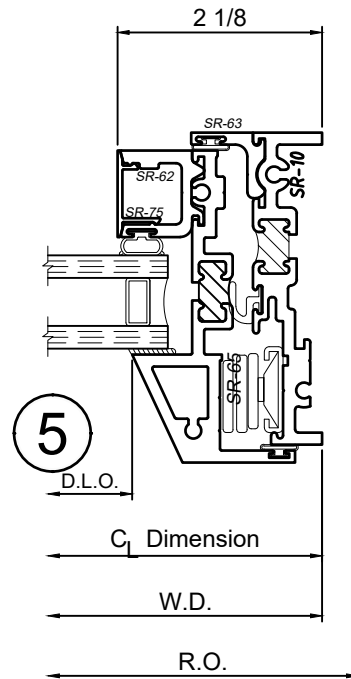
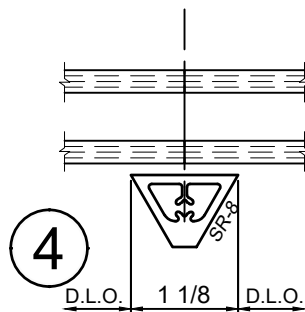
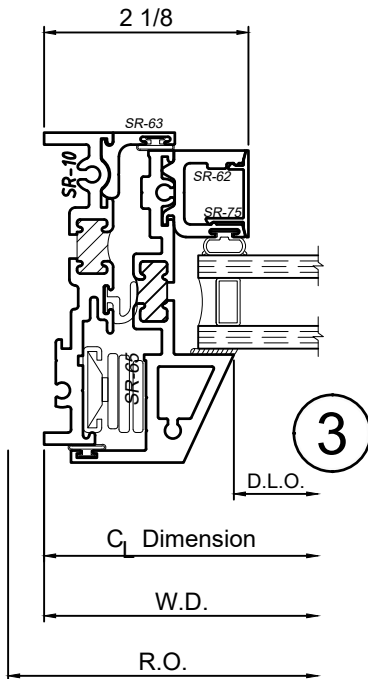
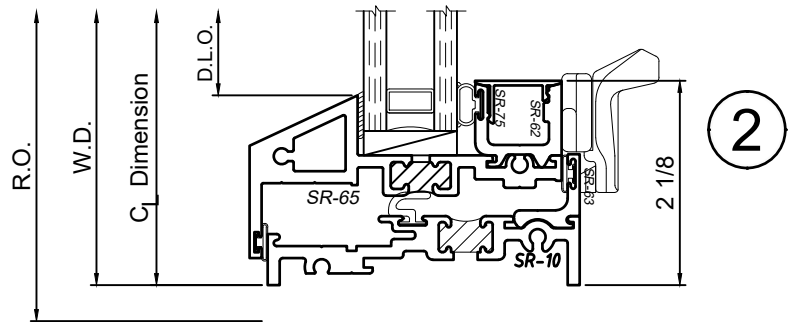
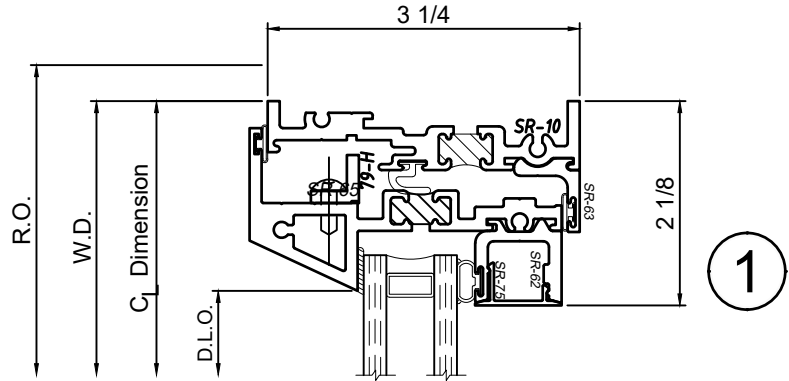
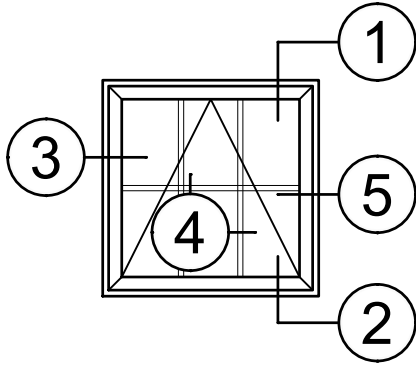
# 3250 Series 3-1/4" Thermal Fixed, Casement & Projected Windows

## Product Details - Project Out - Awning



Note: Multiple configurations of this window system are available. Refer to the WINCO website for additional options or contact your local WINCO Sales Representative for information.

WINCO RESERVES THE RIGHT TO MODIFY OR CHANGE INFORMATION WITHIN THIS BOOK WHEN DEEMED NECESSARY FOR PRODUCT IMPROVEMENT



© WINCO WINDOW COMPANY, INC. 2026

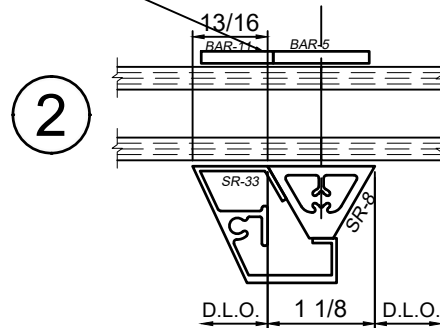
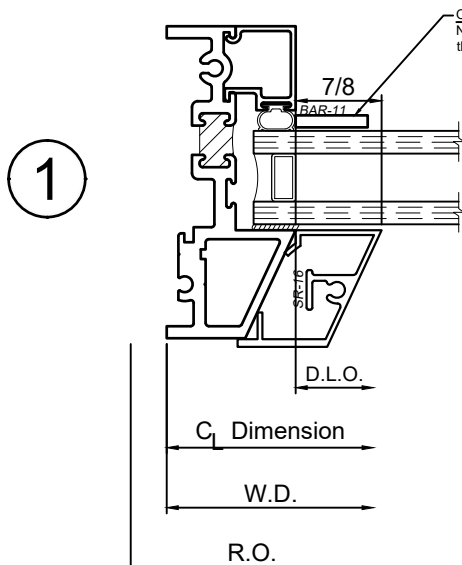
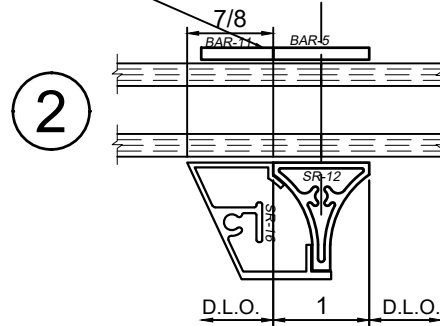
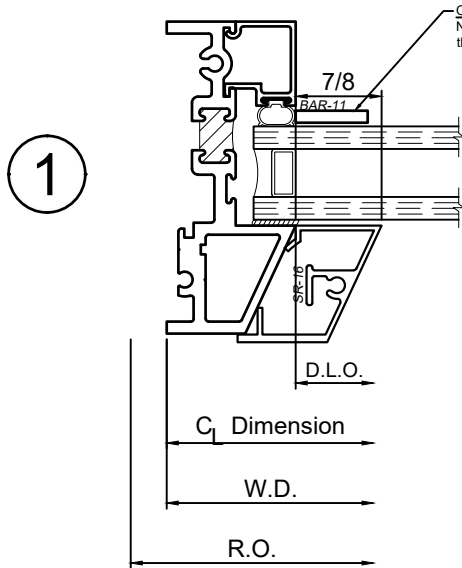
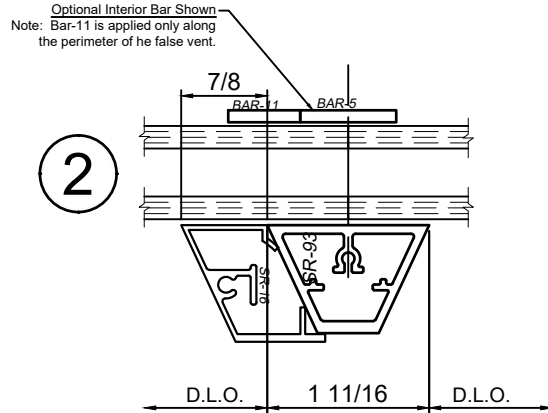
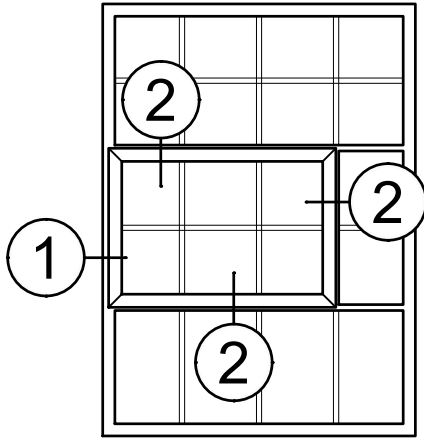
SCALE 6"=1'-0"

# 3250 Series 3-1/4" Thermal Fixed, Casement & Projected Windows

## Product Details - False Vent Options - SR-16 & SR-33



WINCO RESERVES THE RIGHT TO MODIFY OR CHANGE INFORMATION WITHIN THIS BOOK WHEN DEEMED NECESSARY FOR PRODUCT IMPROVEMENT



SCALE 6"=1'-0"

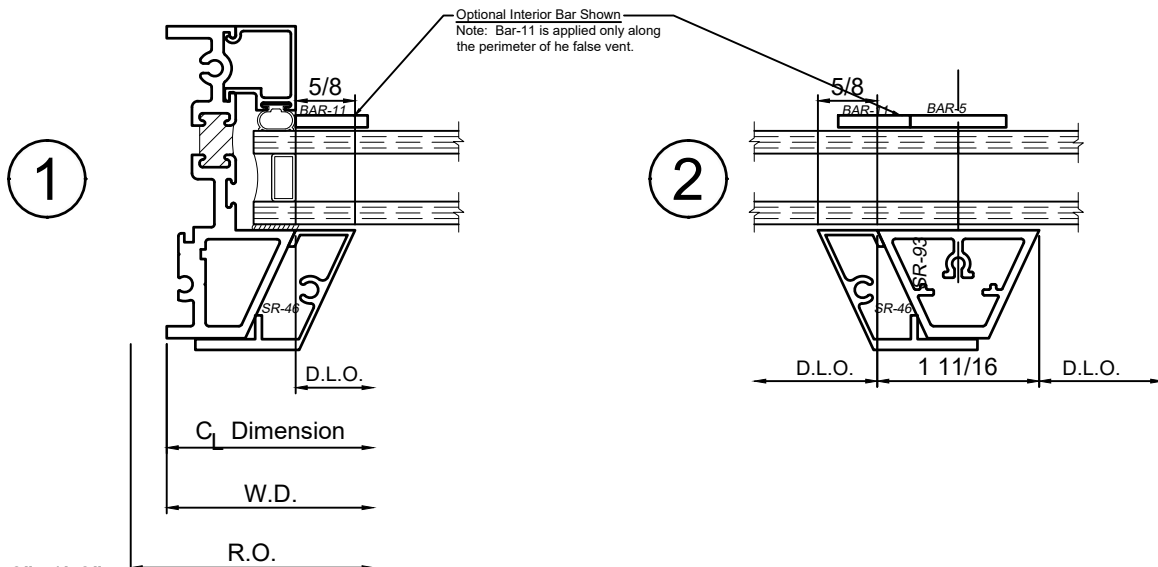
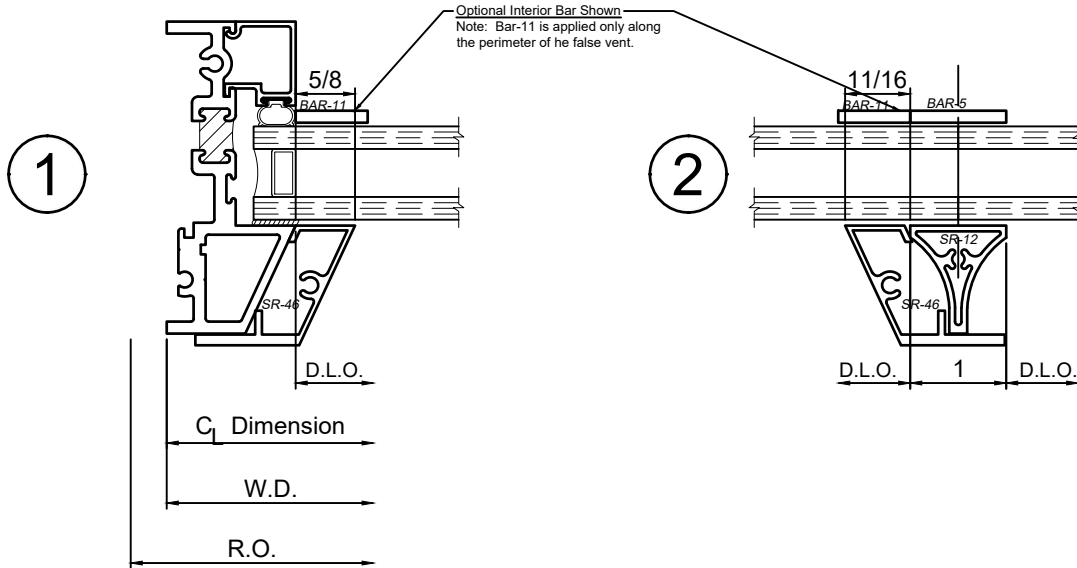
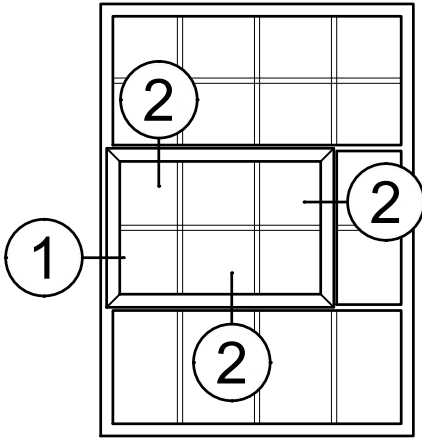
© WINCO WINDOW COMPANY, INC. 2026

# 3250 Series 3-1/4" Thermal Fixed, Casement & Projected Windows

## Product Details - False Vent Options - SR-46



WINCO RESERVES THE RIGHT TO MODIFY OR CHANGE INFORMATION WITHIN THIS BOOK WHEN DEEMED NECESSARY FOR PRODUCT IMPROVEMENT



SCALE 6"=1'-0"

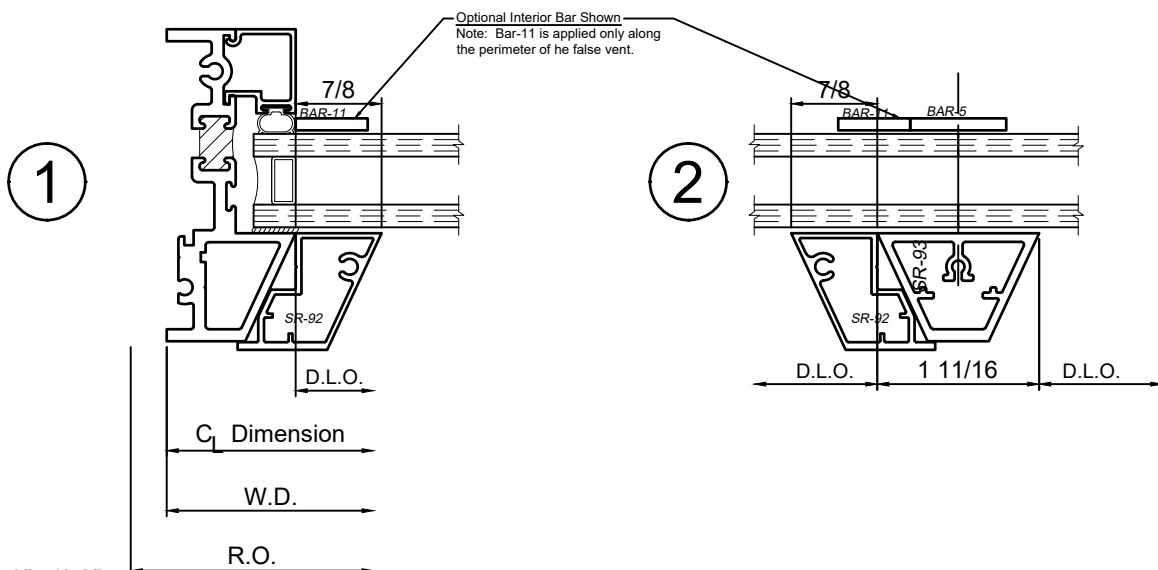
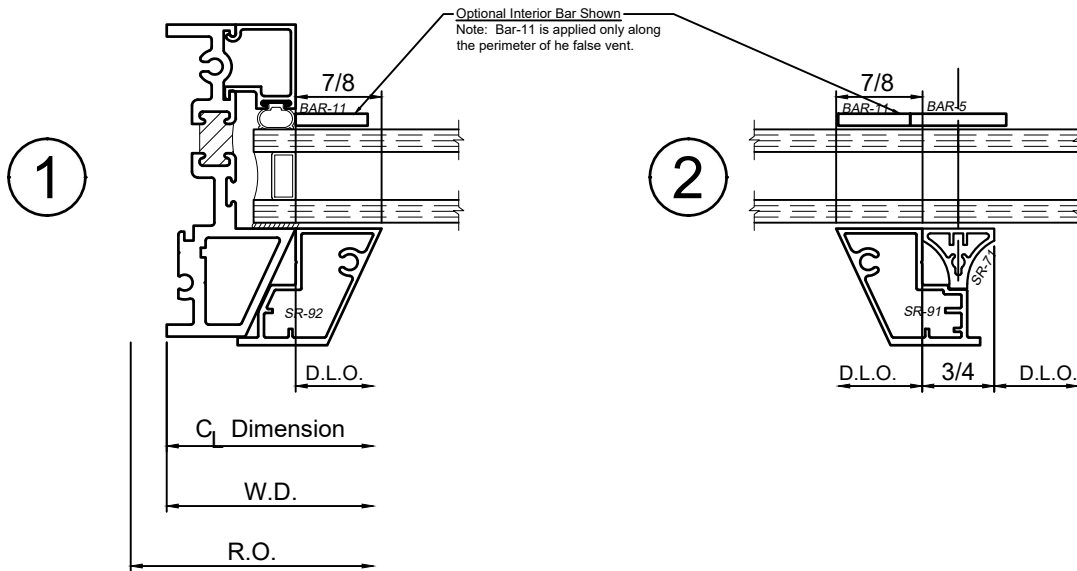
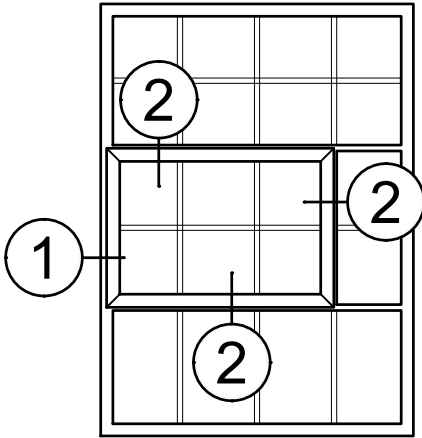
© WINCO WINDOW COMPANY, INC. 2026

# 3250 Series 3-1/4" Thermal Fixed, Casement & Projected Windows

## Product Details - False Vent Options - SR-91 & SR-92



WINCO RESERVES THE RIGHT TO MODIFY OR CHANGE INFORMATION WITHIN THIS BOOK WHEN DEEMED NECESSARY FOR PRODUCT IMPROVEMENT



SCALE 6"=1'-0"

© WINCO WINDOW COMPANY, INC. 2026

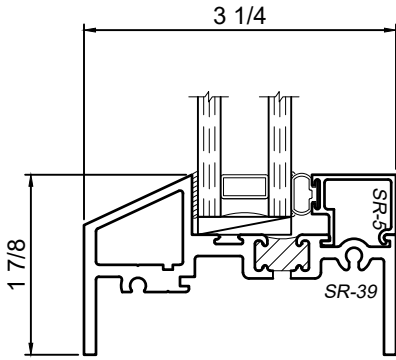
# 3250 Series 3-1/4" Thermal Fixed, Casement & Projected Windows

## Product Details - Frame Options

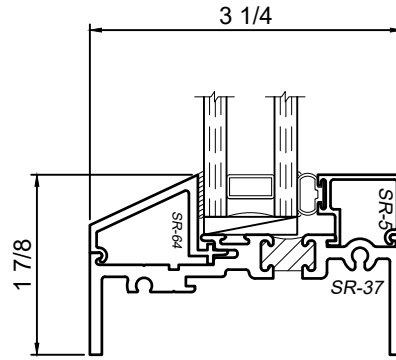


Note: Multiple configurations of this window system are available. Refer to the WINCO website for additional options or contact your local WINCO Sales Representative for information.

WINCO RESERVES THE RIGHT TO MODIFY OR CHANGE INFORMATION WITHIN THIS BOOK WHEN DEEMED NECESSARY FOR PRODUCT IMPROVEMENT



Available at head, jamb and sill  
(Vent uses SR-37)



Available at head, jamb and sill  
(Fully Fixed Units use SR-39)

© WINCO WINDOW COMPANY, INC. 2026

SCALE 6"=1'-0"

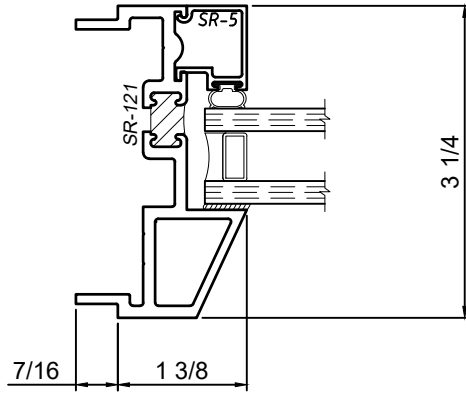
# 3250 Series 3-1/4" Thermal Fixed, Casement & Projected Windows

## Product Details - Frame Options

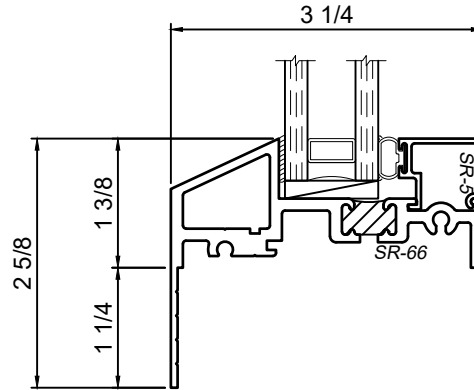


Note: Multiple configurations of this window system are available. Refer to the WINCO website for additional options or contact your local WINCO Sales Representative for information.

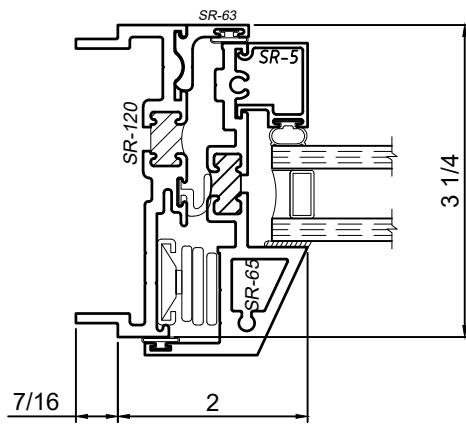
WINCO RESERVES THE RIGHT TO MODIFY OR CHANGE INFORMATION WITHIN THIS BOOK WHEN DEEMED NECESSARY FOR PRODUCT IMPROVEMENT



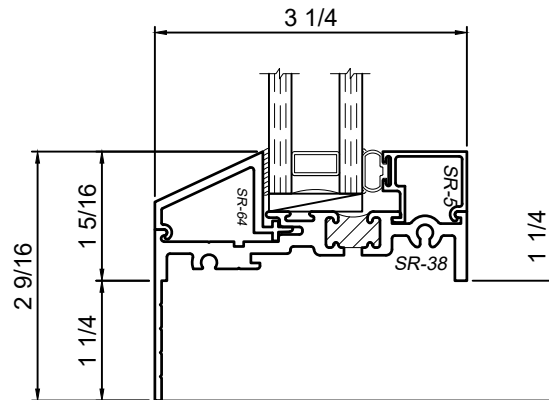
Available at head and jamb



Available at head, jamb and sill



Available at head and jamb



Available at head, jamb and sill

SCALE 6"=1'-0"

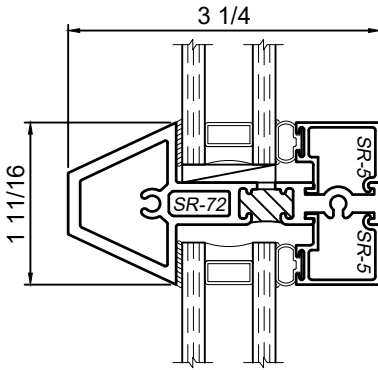
# 3250 Series 3-1/4" Thermal Fixed, Casement & Projected Windows

## Product Details - Rail Options

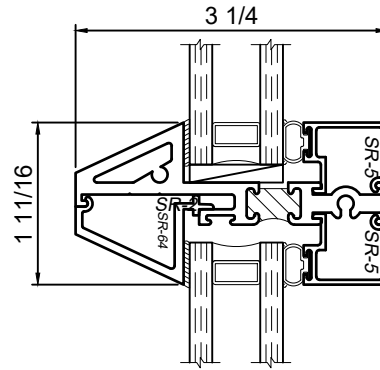


Note: Multiple configurations of this window system are available. Refer to the WINCO website for additional options or contact your local WINCO Sales Representative for information.

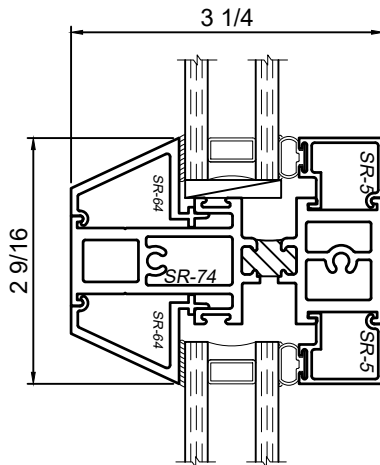
WINCO RESERVES THE RIGHT TO MODIFY OR CHANGE INFORMATION WITHIN THIS BOOK WHEN DEEMED NECESSARY FOR PRODUCT IMPROVEMENT



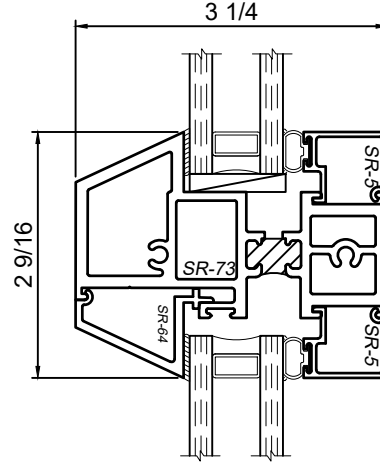
Standard Rail  
(All Lights Fixed)



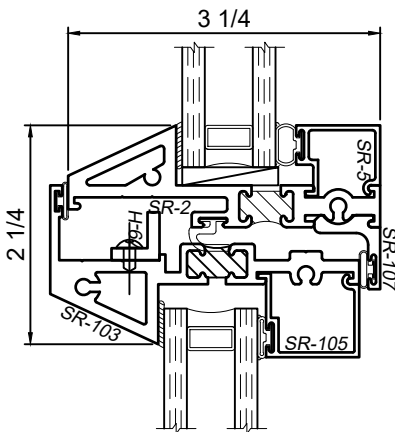
Standard Rail  
(Adjacent Fixed over Vent)



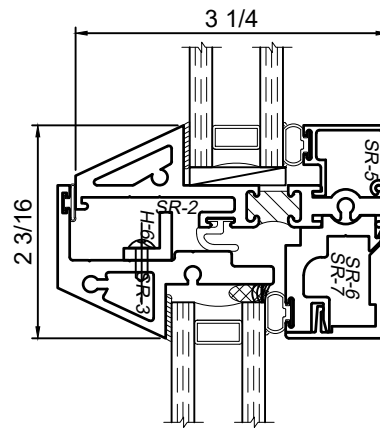
Heavy Duty Rail



Heavy Duty Rail



Standard Sash SR-103  
in Heavy Duty Rail  
(Cam Locks Only)



Optional Sash SR-3  
in Heavy Duty Rail  
(Jamb Mounted Lift Locks Only)

SCALE 6"=1'-0"

© WINCO WINDOW COMPANY, INC. 2026

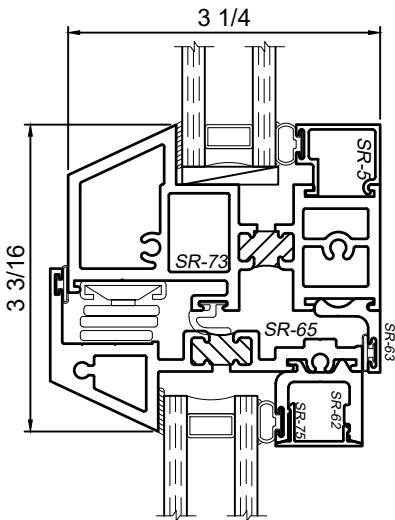
# 3250 Series 3-1/4" Thermal Fixed, Casement & Projected Windows

## Product Details - Rail Options

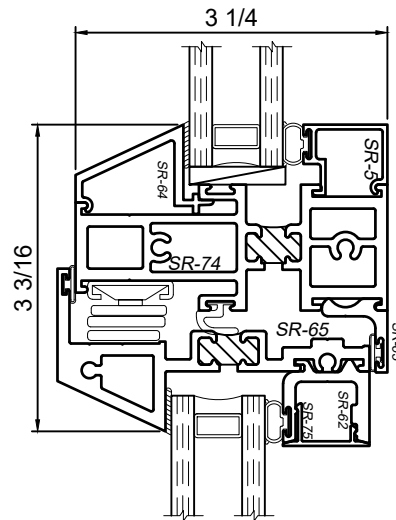


Note: Multiple configurations of this window system are available. Refer to the WINCO website for additional options or contact your local WINCO Sales Representative for information.

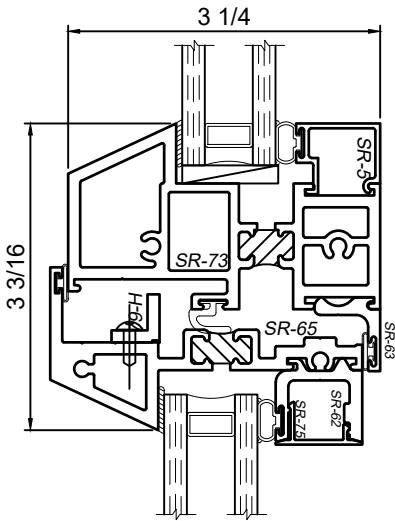
WINCO RESERVES THE RIGHT TO MODIFY OR CHANGE INFORMATION WITHIN THIS BOOK WHEN DEEMED NECESSARY FOR PRODUCT IMPROVEMENT



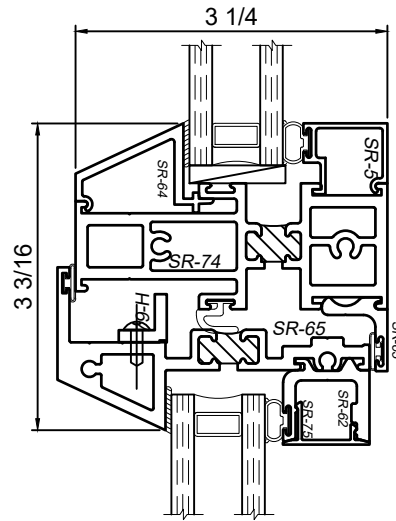
Standard Sash SR-65  
in Heavy Duty Rail  
(Cam Locks Only)



Standard Sash SR-65  
in Heavy Neutral Rail  
(Cam Locks Only)



Standard Sash SR-65  
in Heavy Duty Rail  
(Cam Locks Only)



Standard Sash SR-65  
in Heavy Neutral Rail  
(Cam Locks Only)

© WINCO WINDOW COMPANY, INC. 2026

SCALE 6"=1'-0"

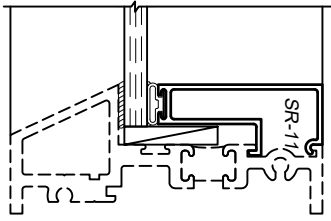
# 3250 Series 3-1/4" Thermal Fixed, Casement & Projected Windows

## Product Details - Glazing Options

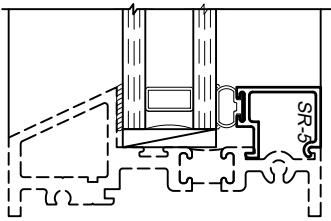


Note: Multiple configurations of this window system are available. Refer to the WINCO website for additional options or contact your local WINCO Sales Representative for information.

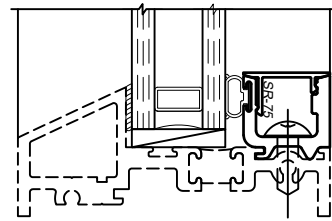
WINCO RESERVES THE RIGHT TO MODIFY OR CHANGE INFORMATION WITHIN THIS BOOK WHEN DEEMED NECESSARY FOR PRODUCT IMPROVEMENT



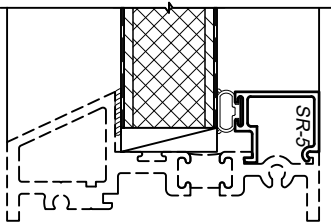
1/4" Glazing Bead  
SR-11



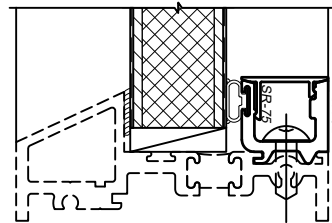
1" Glazing Bead  
SR-5



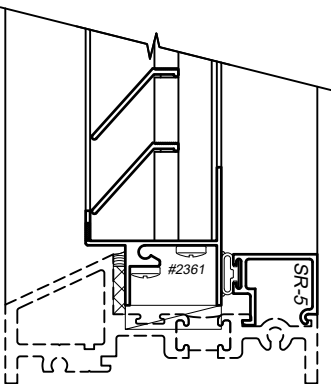
1" Glazing Bead  
SR-62 w/ SR-75 Cover



1" Glazing Bead  
(Insulated Panel)  
SR-5



1" Glazing Bead  
(Insulated Panel)  
SR-62 w/ SR-75 Cover



1" Glazing Bead  
(Louver)  
SR-5

Note: glazing options shown are a sample of what is available. If desired glazing is not shown please contact your local Winco Sales Representative for additional information.

SCALE 6"=1'-0"

© WINCO WINDOW COMPANY, INC. 2026

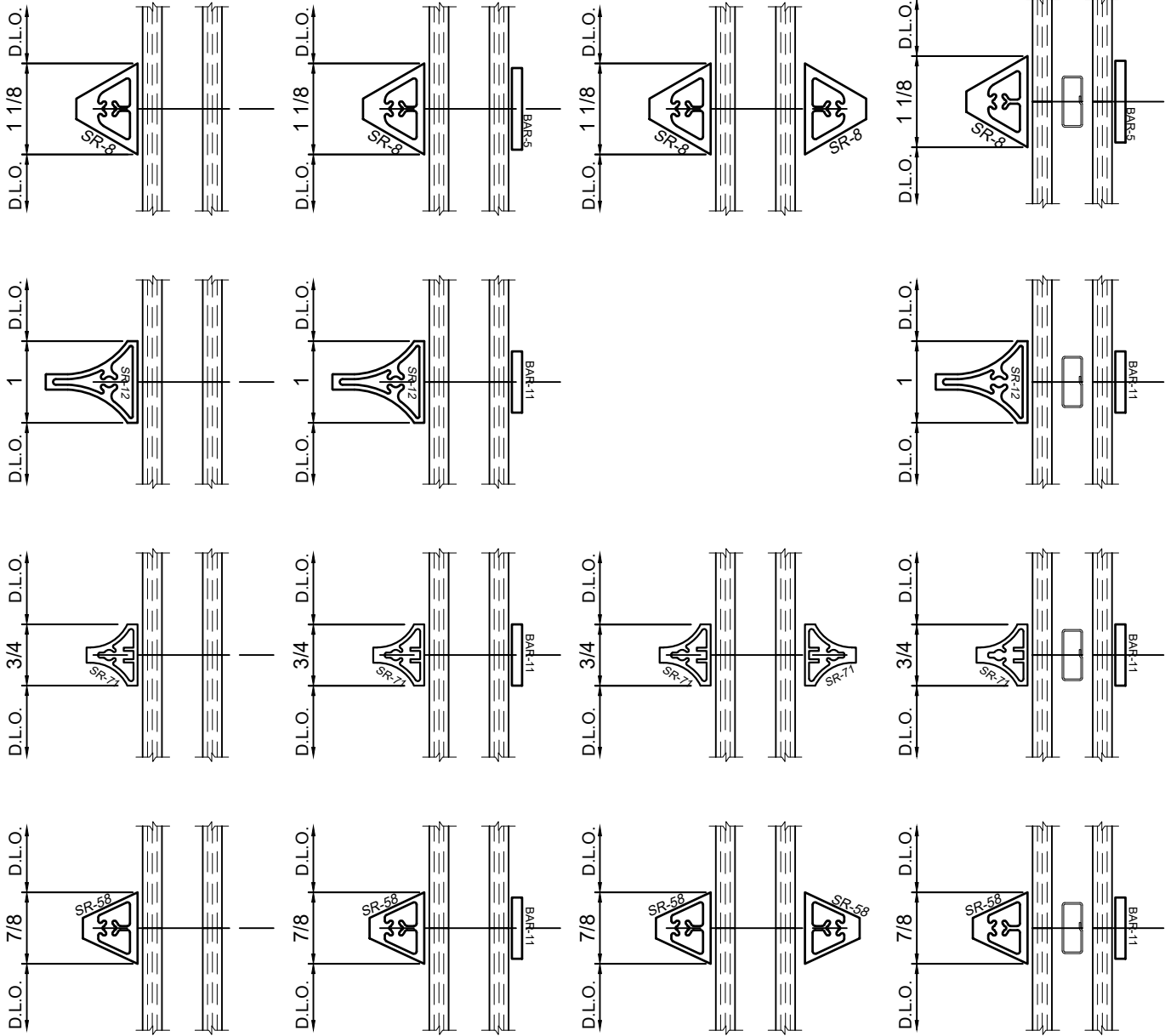
# 3250 Series 3-1/4" Thermal Fixed, Casement & Projected Windows

## Product Details - Grid Options



Note: Multiple configurations of this window system are available. Refer to the WINCO website for additional options or contact your local WINCO Sales Representative for information.

WINCO RESERVES THE RIGHT TO MODIFY OR CHANGE INFORMATION WITHIN THIS BOOK WHEN DEEMED NECESSARY FOR PRODUCT IMPROVEMENT



© WINCO WINDOW COMPANY, INC. 2026

SCALE 6"=1'-0"

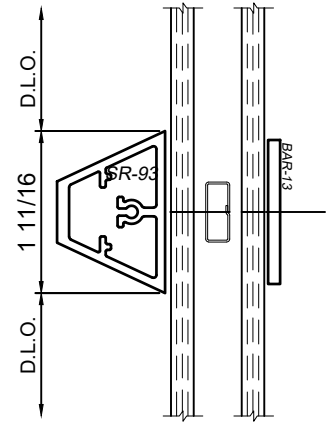
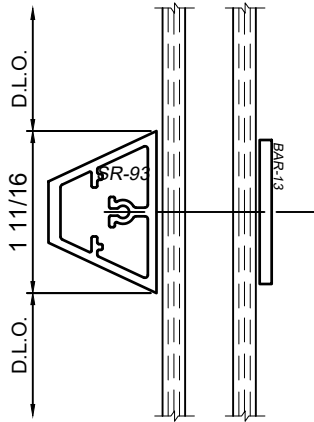
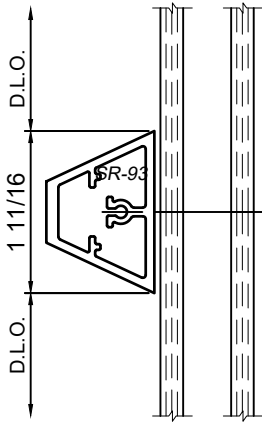
# 3250 Series 3-1/4" Thermal Fixed, Casement & Projected Windows

## Product Details - Grid Options



Note: Multiple configurations of this window system are available. Refer to the WINCO website for additional options or contact your local WINCO Sales Representative for information.

WINCO RESERVES THE RIGHT TO MODIFY OR CHANGE INFORMATION WITHIN THIS BOOK WHEN DEEMED NECESSARY FOR PRODUCT IMPROVEMENT



© WINCO WINDOW COMPANY, INC. 2026

SCALE 6"=1'-0"

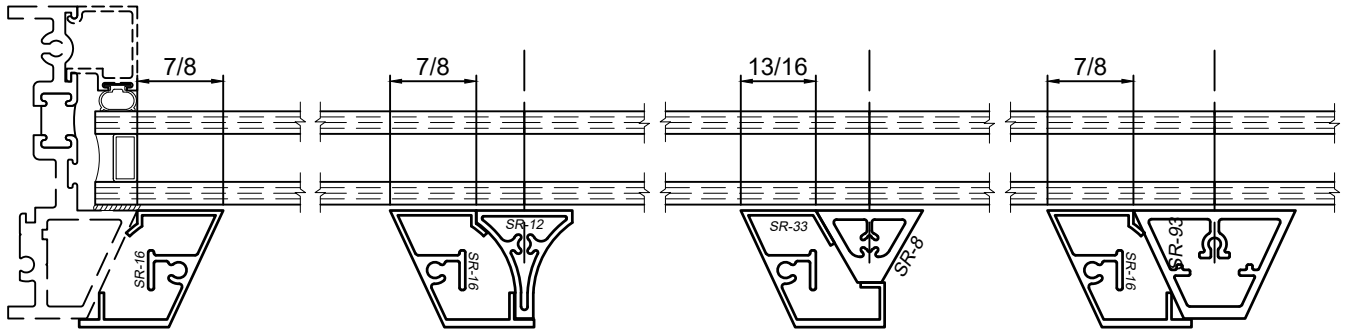
# 3250 Series 3-1/4" Thermal Fixed, Casement & Projected Windows

## Product Details - False Vent Options



Note: Multiple configurations of this window system are available. Refer to the WINCO website for additional options or contact your local WINCO Sales Representative for information.

WINCO RESERVES THE RIGHT TO MODIFY OR CHANGE INFORMATION WITHIN THIS BOOK WHEN DEEMED NECESSARY FOR PRODUCT IMPROVEMENT

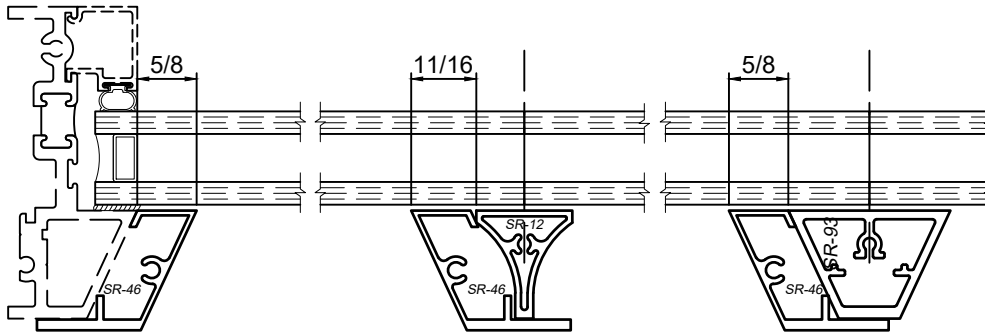


SR-16 False Vent at Frame or Rail

SR-16 False Vent at SR-12 Muntin

SR-33 False Vent at SR-8 Muntin

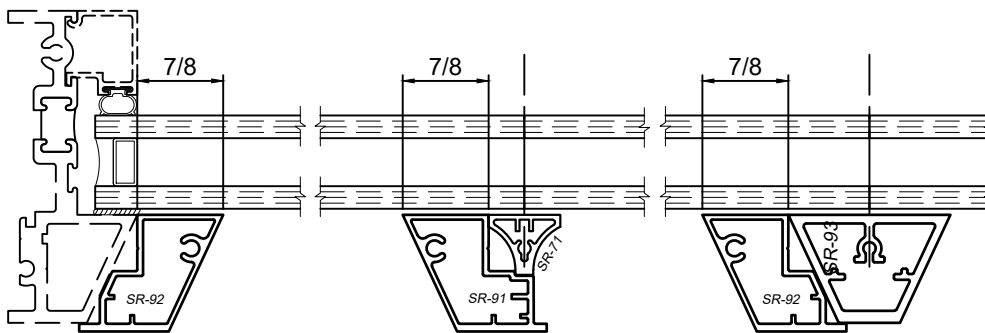
SR-16 False Vent at SR-93 Muntin



SR-46 False Vent at Frame or Rail

SR-46 False Vent at SR-12 Muntin

SR-46 False Vent at SR-93 Muntin



SR-92 False Vent at Frame or Rail

SR-91 False Vent at SR-71 Muntin

SR-92 False Vent at SR-93 Muntin

SCALE 6"=1'-0"

© WINCO WINDOW COMPANY, INC. 2026

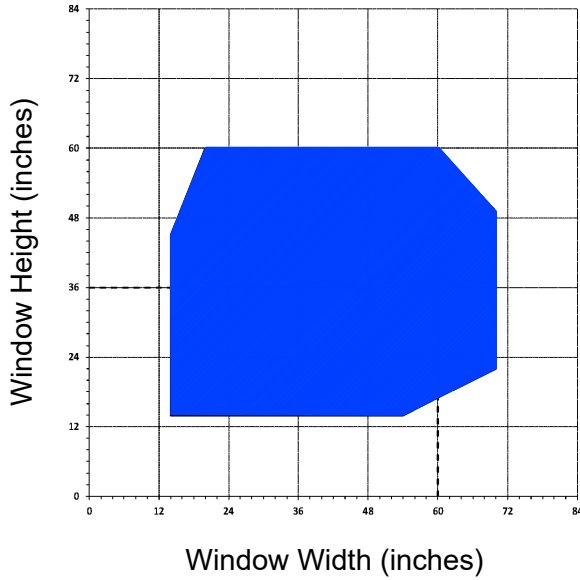
# 3250 Series 3-1/4" Thermal Fixed, Casement & Projected Windows

## Projected Vent Size Capabilities Charts



WINCO RESERVES THE RIGHT TO MODIFY OR CHANGE INFORMATION WITHIN THIS BOOK WHEN DEEMED NECESSARY FOR PRODUCT IMPROVEMENT

### Projected Out with Four Bar Arms



- Dashed line represents the gateway size window as tested by AAMA.
- All vent sizes are based upon 1" Insulated glass consisting of 1/4" glass - 1/2" air - 1/4" glass.
- Any vent size outside of the AAMA Gateway tested size may have reduced performance.
- Chart assumes the window has been installed in a properly prepared opening by a qualified installer.
- Individual job criteria such as: other glazing materials, specified wind load, and specific operating hardware; may enhance or restrict the chart.
- Minimum vent size is 14" x 14" with standard cam locks and 4-bar hinges.
- The chart is a general guideline for projected vent sizing, anything on the edge or outside of the range will need to be reviewed by Winco Engineering.

© WINCO WINDOW COMPANY, INC. 2026

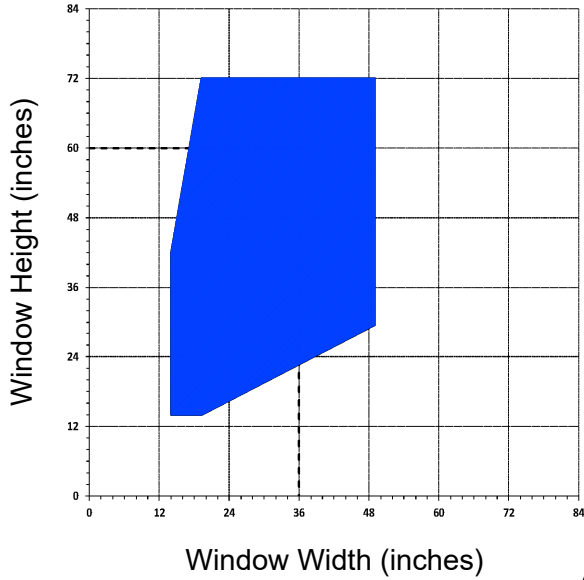
# 3250 Series 3-1/4" Thermal Fixed, Casement & Projected Windows

## Casement Vent Size Capabilities Charts



WINCO RESERVES THE RIGHT TO MODIFY OR CHANGE INFORMATION WITHIN THIS BOOK WHEN DEEMED NECESSARY FOR PRODUCT IMPROVEMENT

### Casement with Concealed Four Bar Casement Arm & Cam Locks



----- AAMA Gateway Size

© WINCO WINDOW COMPANY, INC. 2026

- Dashed line represents the gateway size window as tested by AAMA.
- All vent sizes are based upon 1" Insulated glass consisting of 1/4" glass - 1/2" air - 1/4" glass.
- Any vent size outside of the AAMA Gateway tested size may have reduced performance.
- Chart assumes the window has been installed in a properly prepared opening by a qualified installer.
- Individual job criteria such as: other glazing materials, specified wind load, and specific operating hardware; may enhance or restrict the chart.
- Minimum vent size is 14" x 14" with standard cam locks and 4-bar hinges.
- The chart is a general guideline for projected vent sizing, anything on the edge or outside of the range will need to be reviewed by Winco Engineering.

# 3250 Series 3-1/4" Thermal Fixed, Casement & Projected Windows

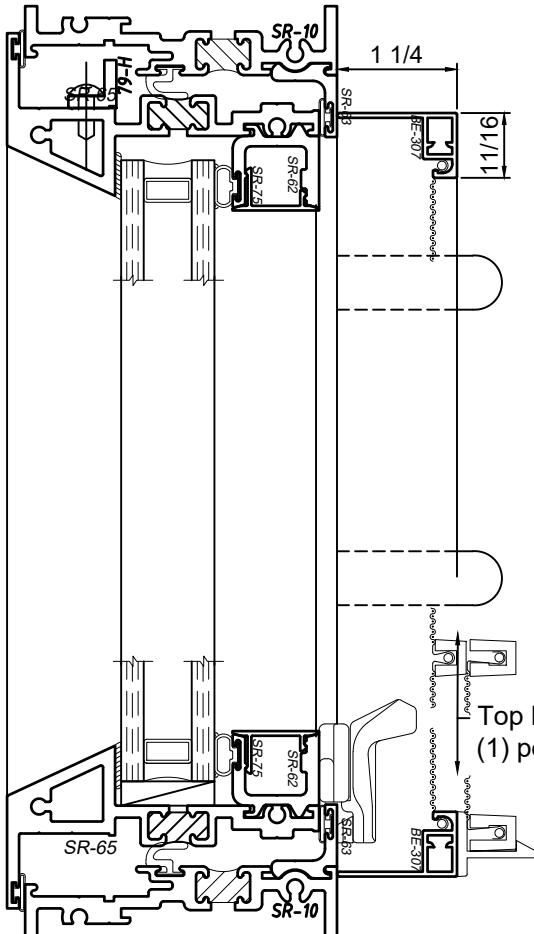
## Product Details - Screen Options - PO - Awning



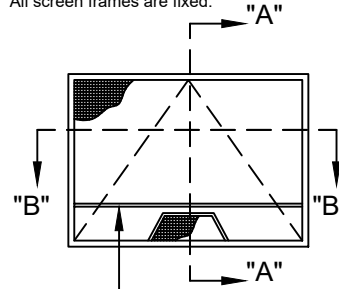
Note: Typical vent screen details shown. Winco reserves the right to alter the screen attachment detail due to job specific sizing and hardware. If you have specific screen applications you would like to see please contact your local Winco Sales Representative for more information.

WINCO RESERVES THE RIGHT TO MODIFY OR CHANGE INFORMATION WITHIN THIS BOOK WHEN DEEMED NECESSARY FOR PRODUCT IMPROVEMENT

Section "A" - "A"



Note: Dashed lines on screen elevations depict operable sash type. All screen frames are fixed.

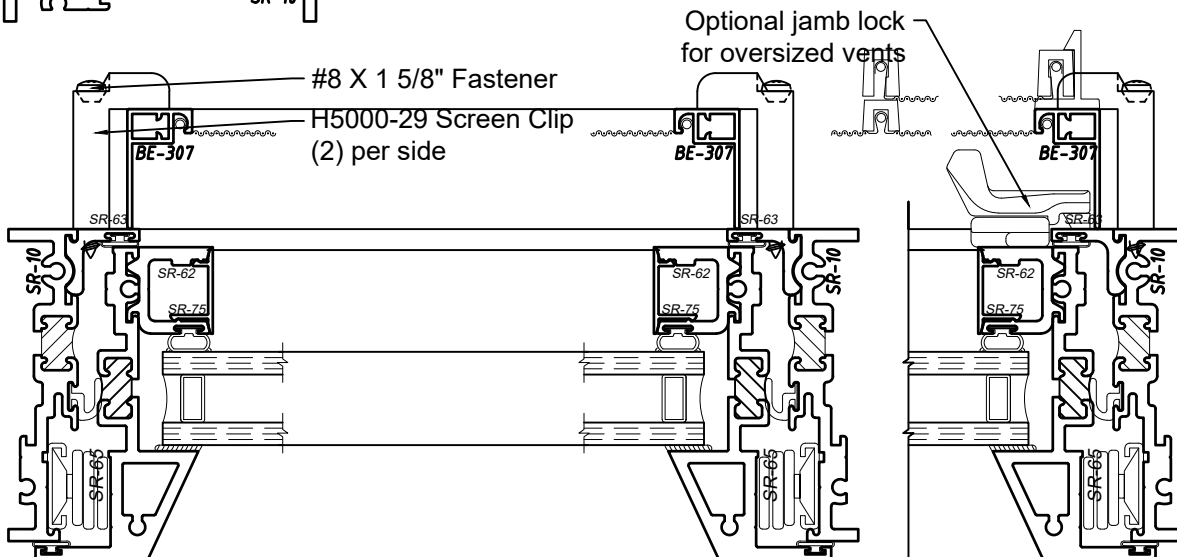


Optional D8-90 Muntin Bar



Winco reserves the right to add the D8-90 muntin bar to any aluminum mesh screen for wicket support if the vent becomes too wide. All Fiberglass screen mesh will receive the support rail regardless of width.

Section "B" - "B"



SCALE 6"=1'-0"

# 3250 Series 3-1/4" Thermal Fixed, Casement & Projected Windows

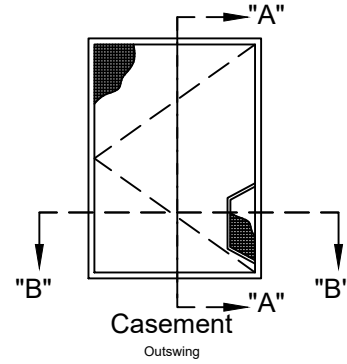
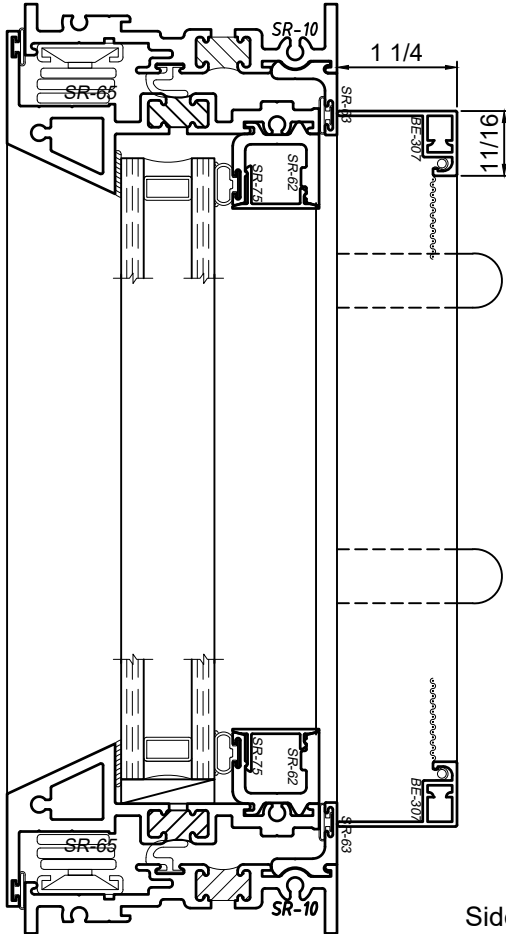
## Product Details - Screen Options - Outswing Casement



Note: Typical vent screen details shown. Winco reserves the right to alter the screen attachment detail due to job specific sizing and hardware. If you have specific screen applications you would like to see please contact your local Winco Sales Representative for more information.

WINCO RESERVES THE RIGHT TO MODIFY OR CHANGE INFORMATION WITHIN THIS BOOK WHEN DEEMED NECESSARY FOR PRODUCT IMPROVEMENT

Section "A" - "A"

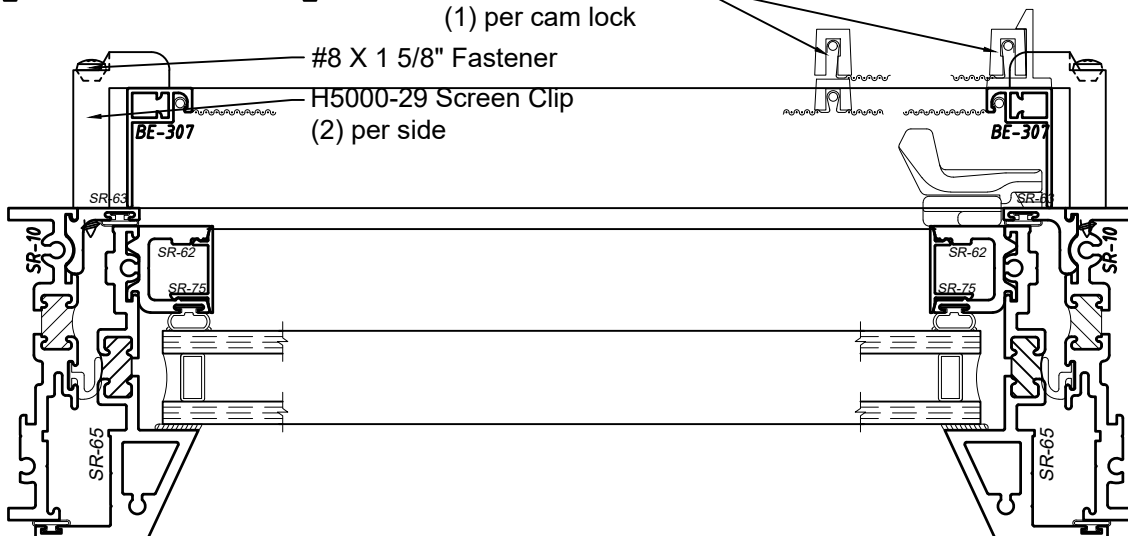


Note: Dashed lines on screen elevations depict operable sash type. All screen frames are fixed

Side hinged Wicket  
(1) per cam lock

#8 X 1 5/8" Fastener

H5000-29 Screen Clip  
(2) per side



SCALE 6"=1'-0"

Section "B" - "B"

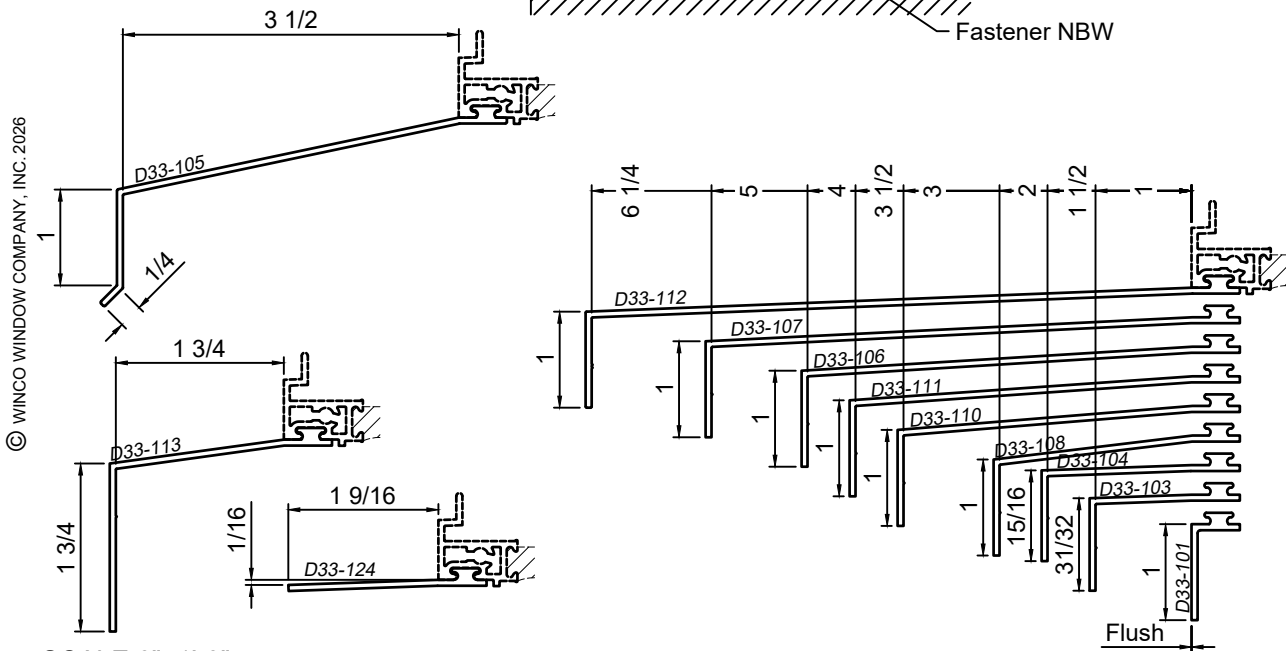
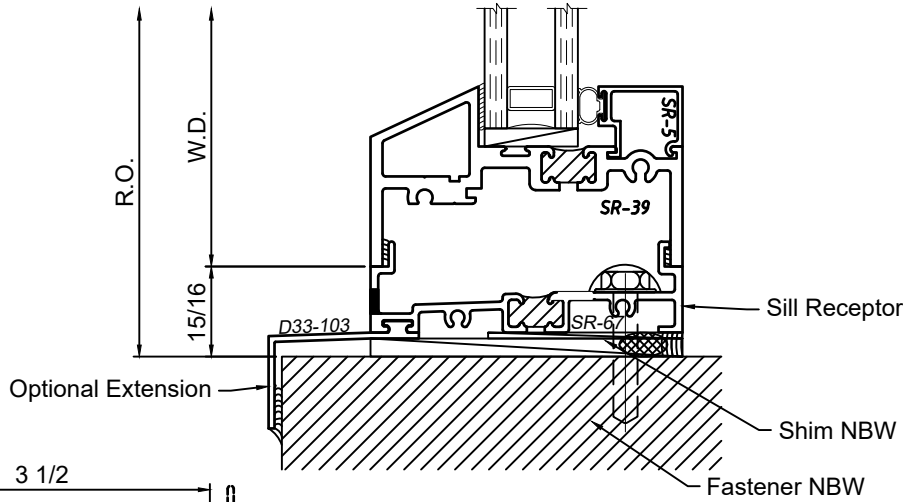
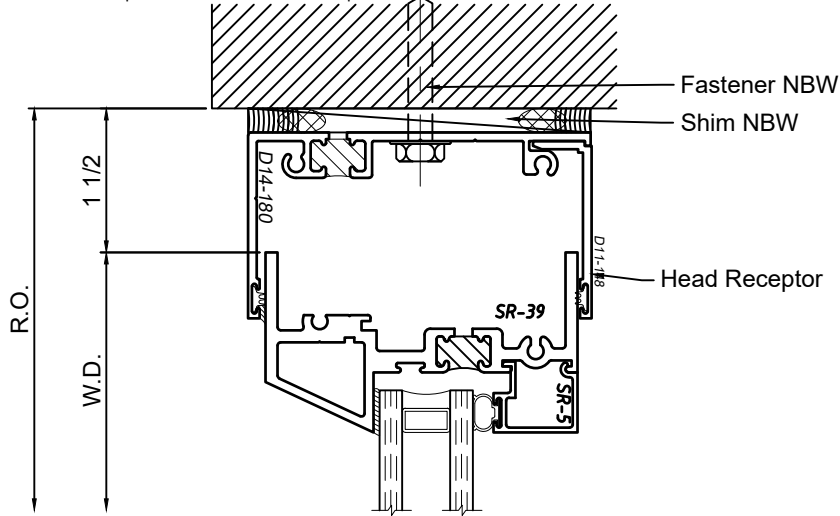
# 3250 Series 3-1/4" Thermal Fixed, Casement & Projected Windows

## Product Details - Trim - Receptor Installation



Note: See Winco Installation Instructions for a detailed description of installation notes and procedures.

WINCO RESERVES THE RIGHT TO MODIFY OR CHANGE INFORMATION WITHIN THIS BOOK WHEN DEEMED NECESSARY FOR PRODUCT IMPROVEMENT



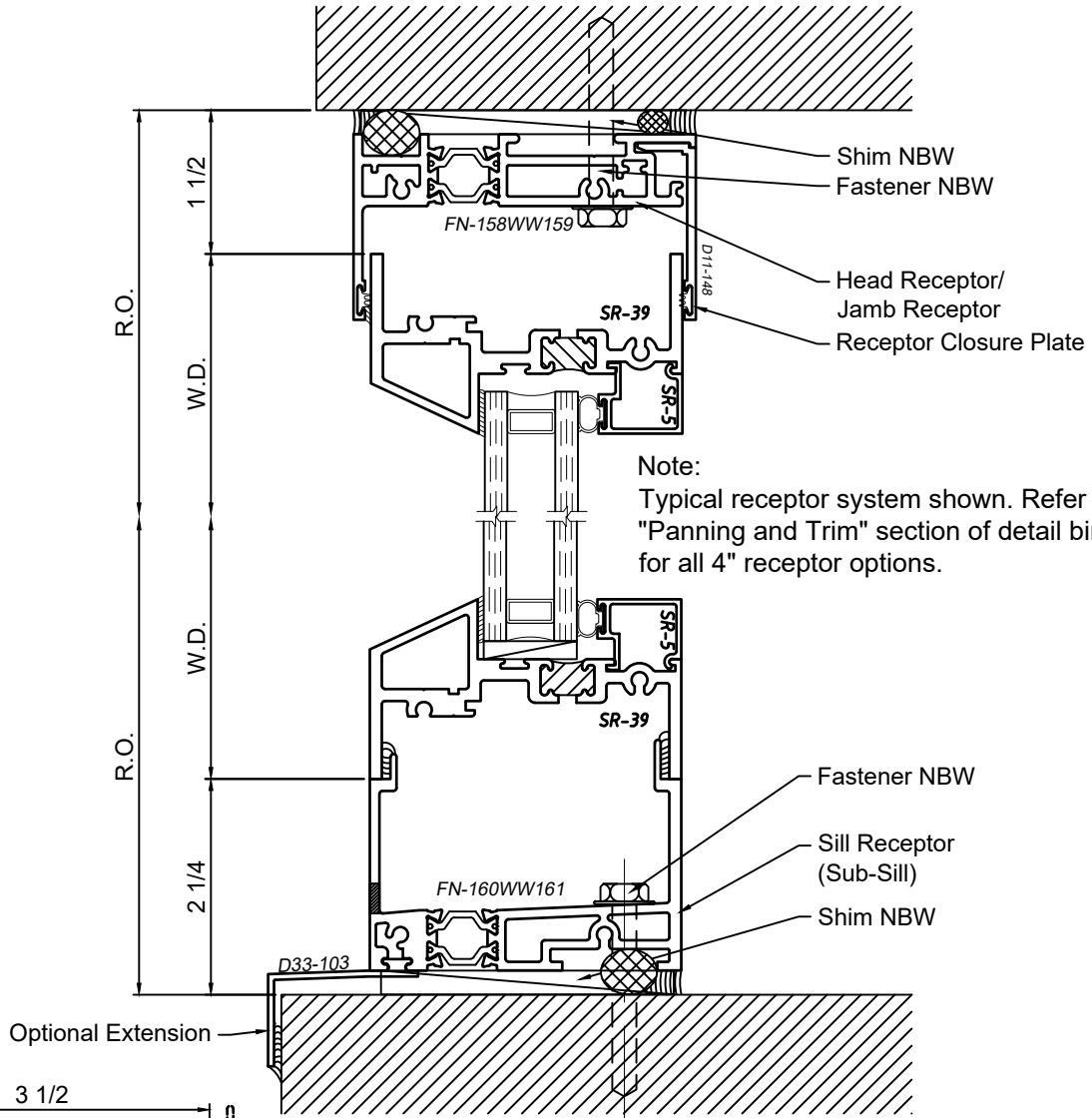
SCALE 6"=1'-0"

# 3250 Series 3-1/4" Thermal Fixed, Casement & Projected Windows

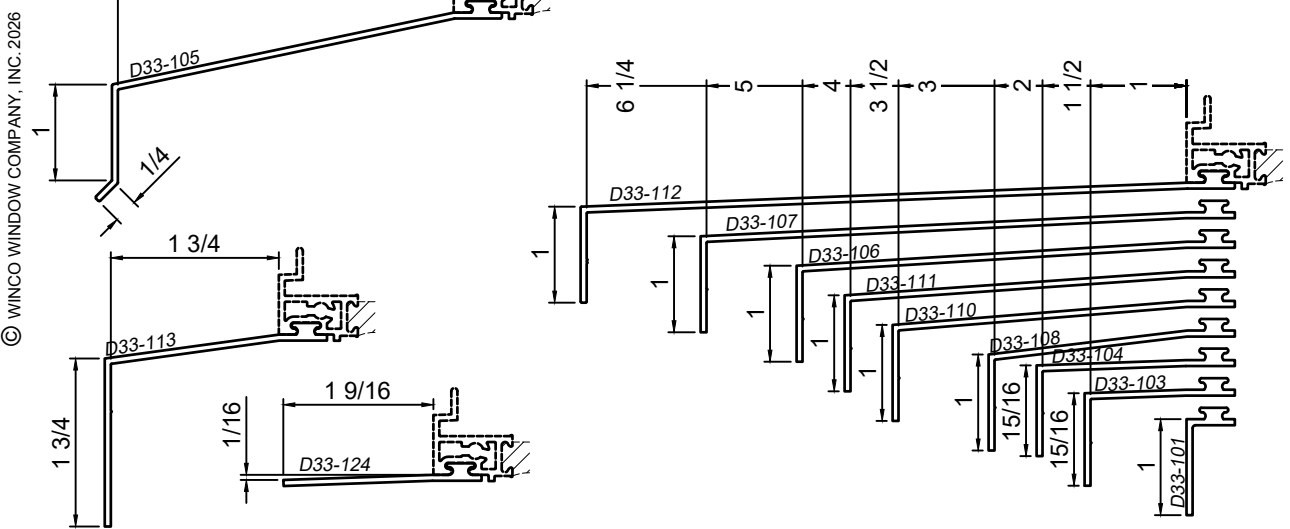
## Product Details - Trim - Rapid Receptor & Sub-Sill



WINCO RESERVES THE RIGHT TO MODIFY OR CHANGE INFORMATION WITHIN THIS BOOK WHEN DEEMED NECESSARY FOR PRODUCT IMPROVEMENT



Note:  
 Typical receptor system shown. Refer to "Panning and Trim" section of detail binder for all 4" receptor options.



SCALE 6"=1'-0"

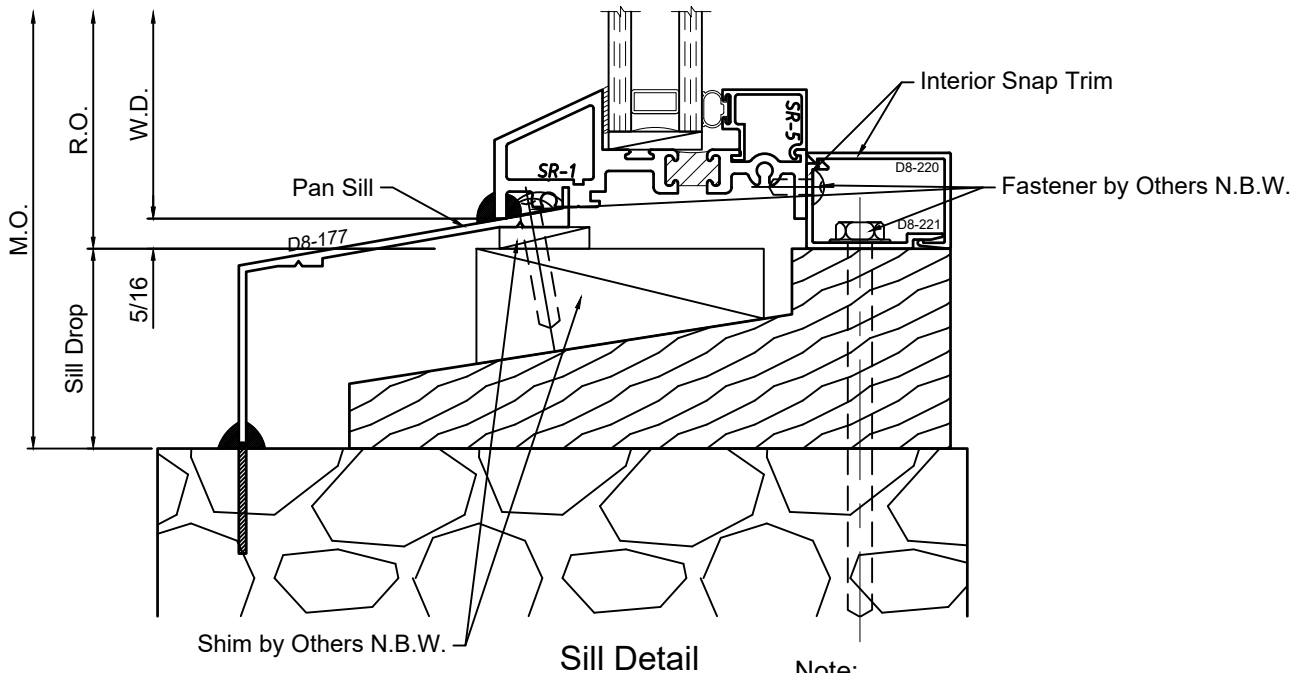
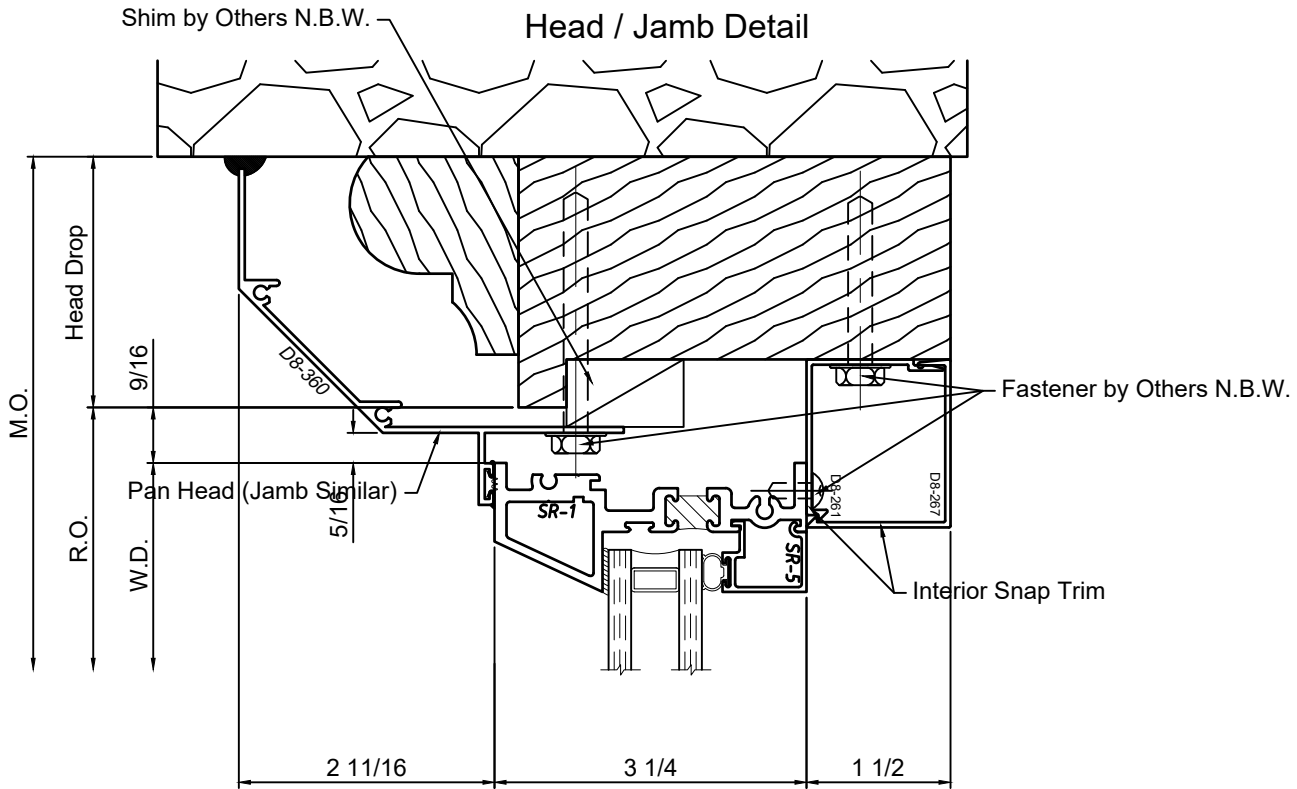
# 3250 Series 3-1/4" Thermal Fixed, Casement & Projected Windows

## Product Details - Trim - Panning Installation



Note: See Winco Installation Instructions for a detailed description of installation notes and procedures.

WINCO RESERVES THE RIGHT TO MODIFY OR CHANGE INFORMATION WITHIN THIS BOOK WHEN DEEMED NECESSARY FOR PRODUCT IMPROVEMENT



Note:  
Typical panning system shown. Refer to "Panning and Trim" section of detail binder for all panning and interior snap trim options

SCALE 6"=1'-0"

# 3250 Series 3-1/4" Thermal Fixed, Casement & Projected Windows

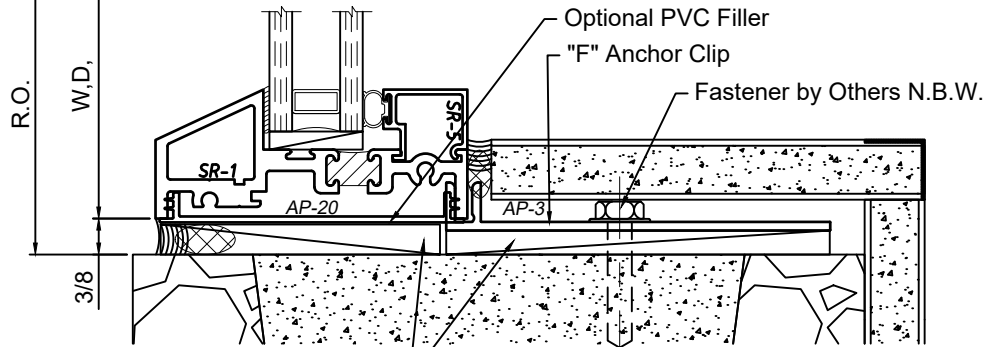
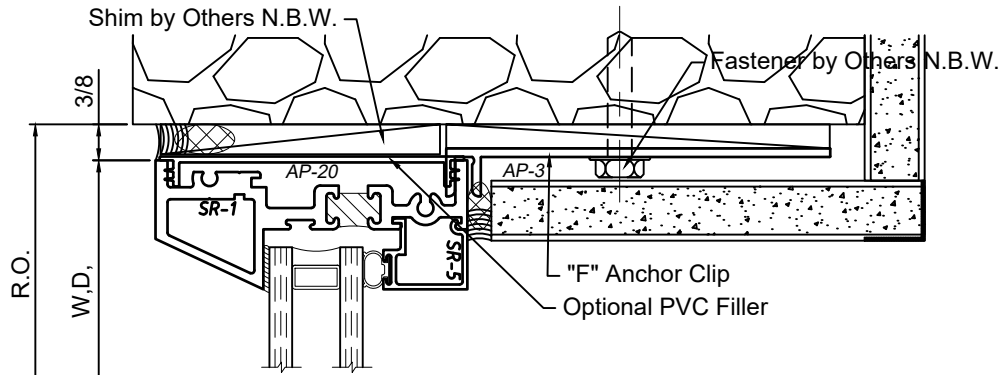
## Product Details - Trim - F-Anchor and Snap Trim Installation



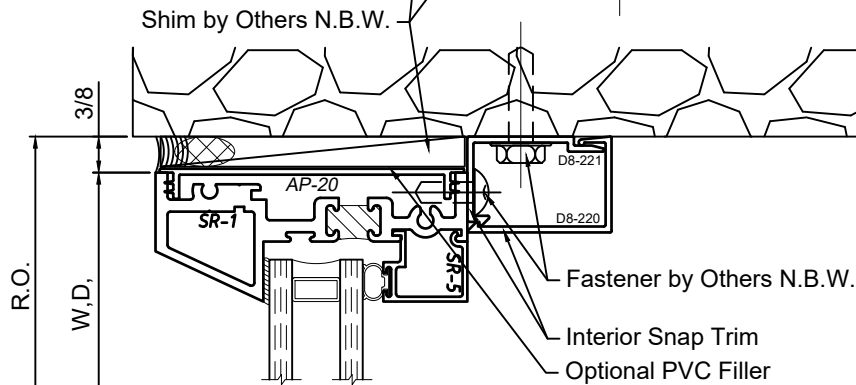
Note: See Winco Installation Instructions for a detailed description of installation notes and procedures.

WINCO RESERVES THE RIGHT TO MODIFY OR CHANGE INFORMATION WITHIN THIS BOOK WHEN DEEMED NECESSARY FOR PRODUCT IMPROVEMENT

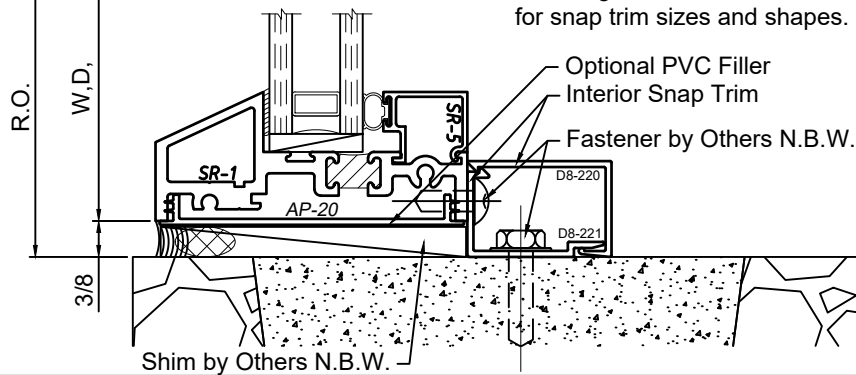
### "F" Clip Installation



### Snap Trim Installation



Note:  
Typical snap trim profile shown. Refer to "Panning and Trim" section of detail binder for snap trim sizes and shapes.



SCALE 6"=1'-0"

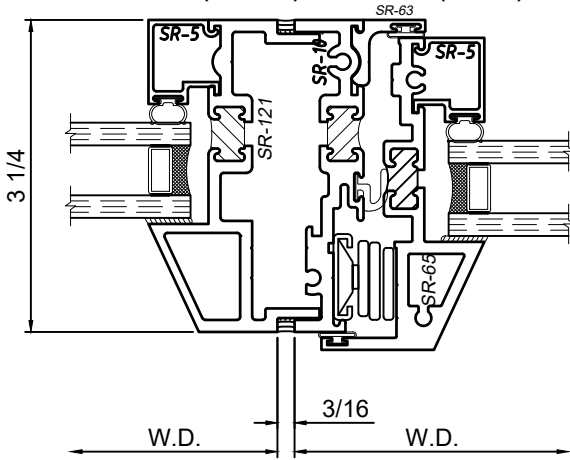
# 3250 Series 3-1/4" Thermal Fixed, Casement & Projected Windows

## Product Details - Trim - Stacking

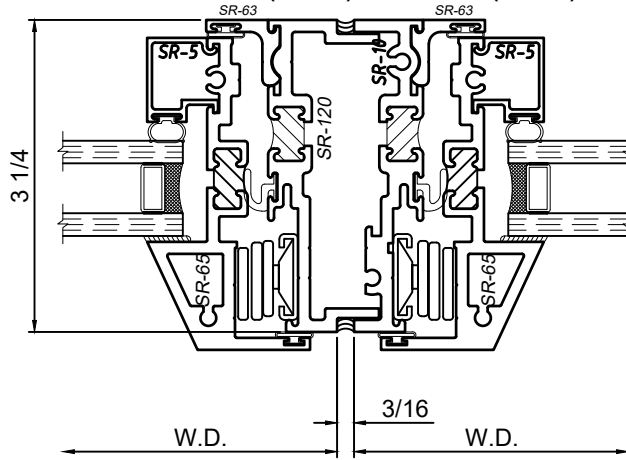


WINCO RESERVES THE RIGHT TO MODIFY OR CHANGE INFORMATION WITHIN THIS BOOK WHEN DEEMED NECESSARY FOR PRODUCT IMPROVEMENT

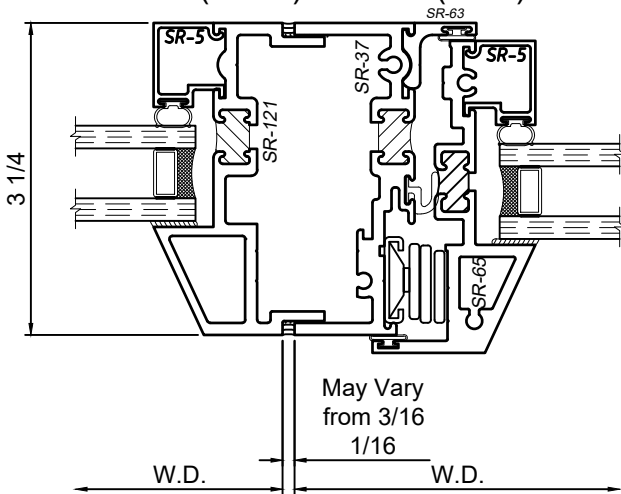
Typical Side Stack Framing  
at SR-121 (Fixed) / SR-10 (Vent)



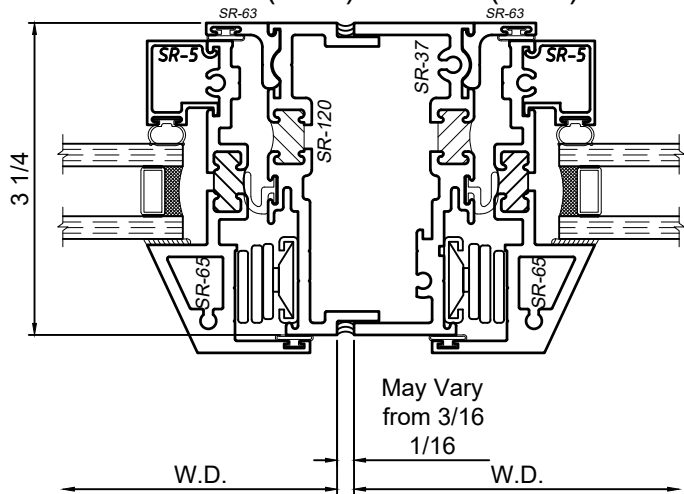
Typical Side Stack Framing  
at SR-122 (Vent) / SR-10 (Vent)



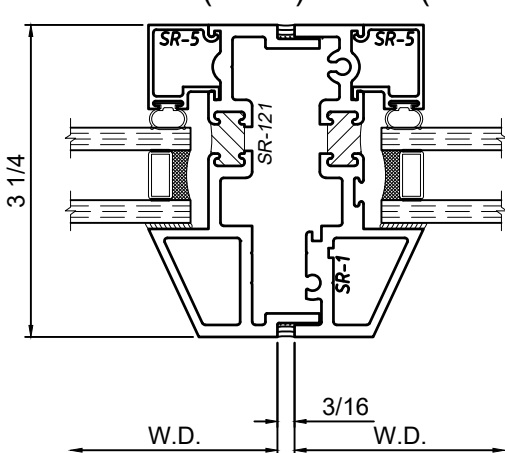
Typical Side Stack Framing  
at SR-121 (Fixed) / SR-37 (Vent)



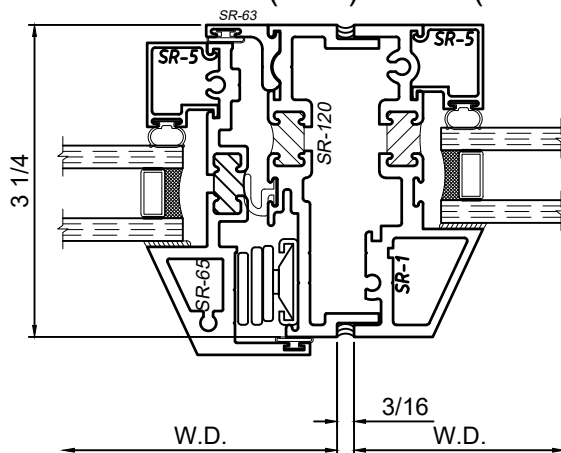
Typical Side Stack Framing  
at SR-122 (Vent) / SR-37 (Vent)



Typical Side Stack Framing  
at SR-121 (Fixed) / SR-1 (Fixed)

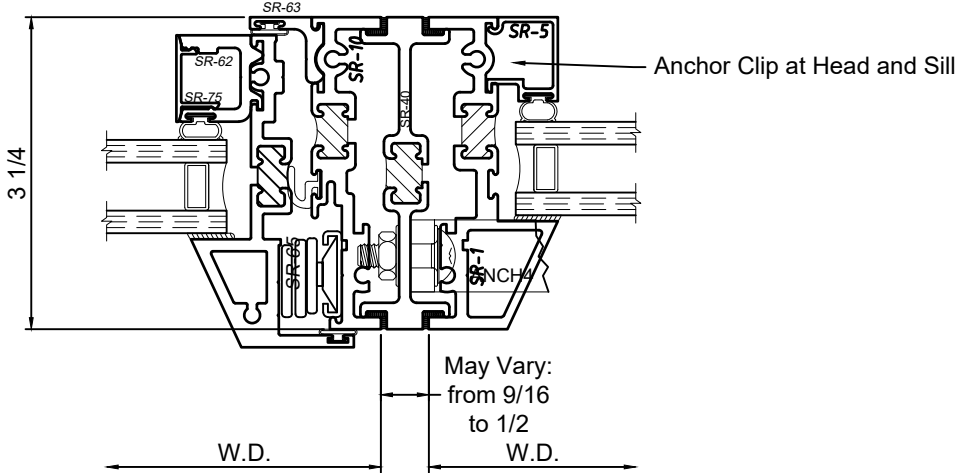


Typical Side Stack Framing  
at SR-122 (Vent) / SR-1 (Fixed)



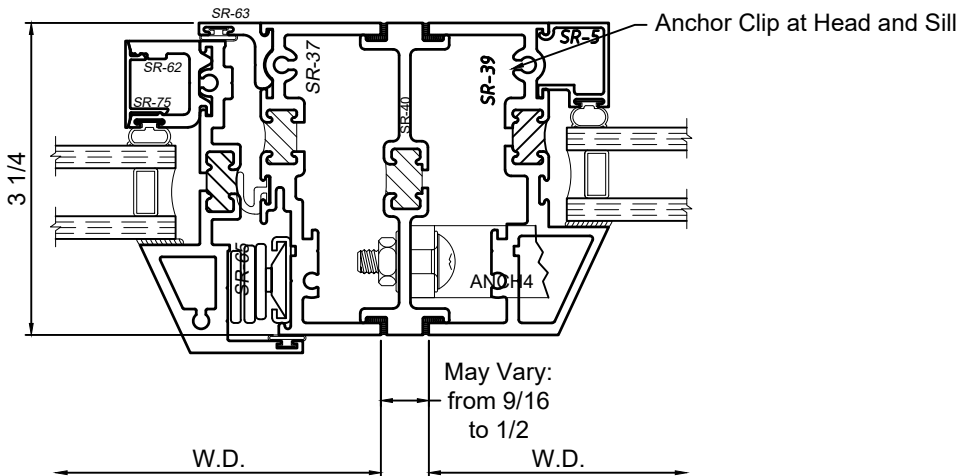
SCALE 6"=1'-0"

Typical SR-40 Side Stack Framing at SR-1 / SR-10



WINCO RESERVES THE RIGHT TO MODIFY OR CHANGE INFORMATION WITHIN THIS BOOK WHEN DEEMED NECESSARY FOR PRODUCT IMPROVEMENT

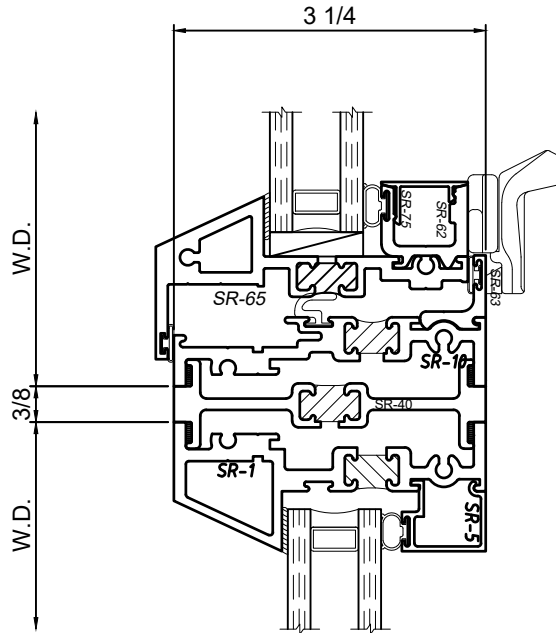
Typical SR-40 Side Stack Framing at SR-37 / SR-39



© WINCO WINDOW COMPANY, INC. 2026

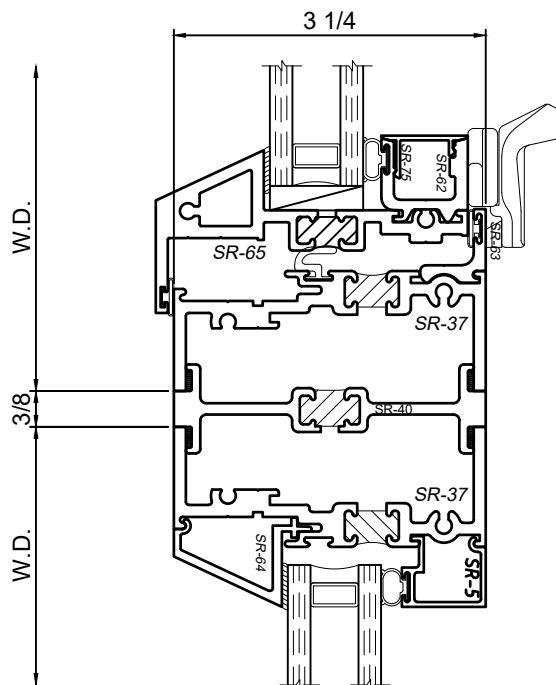
SCALE 6"=1'-0"

Typical SR-40 Horizontal Stack Framing at SR-1 / SR-10



WINCO RESERVES THE RIGHT TO MODIFY OR CHANGE INFORMATION WITHIN THIS BOOK WHEN DEEMED NECESSARY FOR PRODUCT IMPROVEMENT

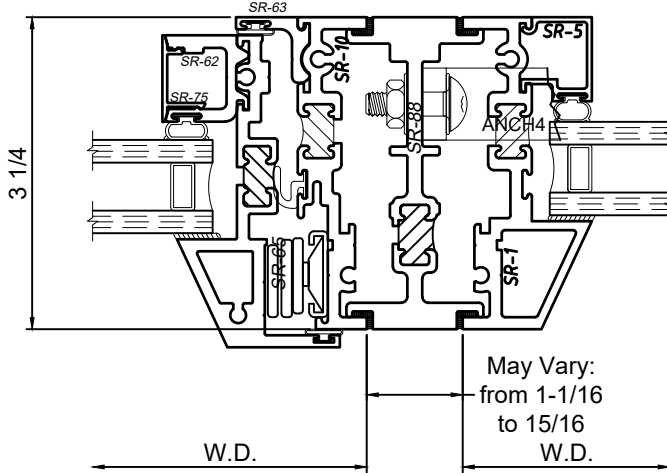
Typical SR-40 Horizontal Stack Framing at SR-37 / SR-39



© WINCO WINDOW COMPANY, INC. 2026

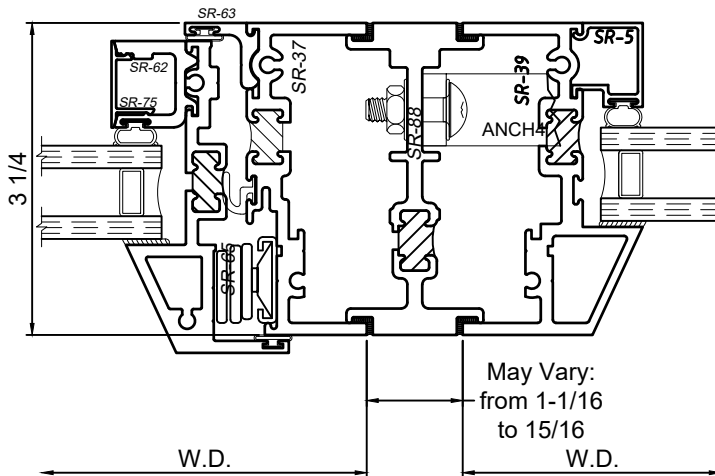
SCALE 6"=1'-0"

Heavy Duty SR-88 Side Stack Framing at SR-1 / SR-10



WINCO RESERVES THE RIGHT TO MODIFY OR CHANGE INFORMATION WITHIN THIS BOOK WHEN DEEMED NECESSARY FOR PRODUCT IMPROVEMENT

Heavy Duty SR-88 Side Stack Framing at SR-37 / SR-39

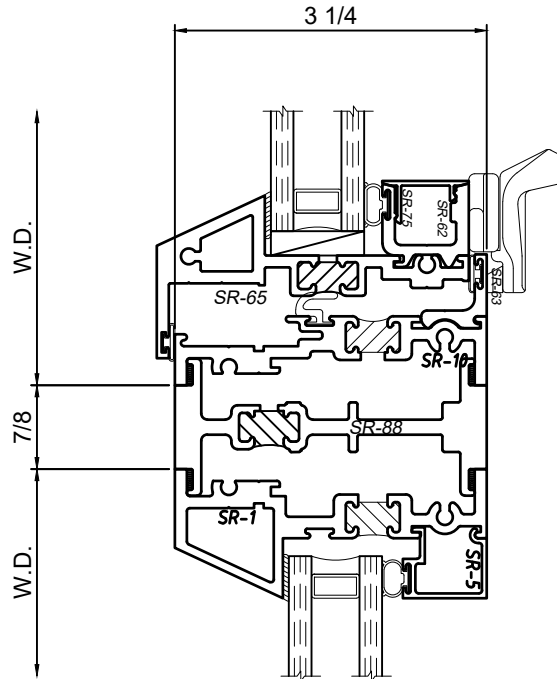


© WINCO WINDOW COMPANY, INC. 2026

SCALE 6"=1'-0"

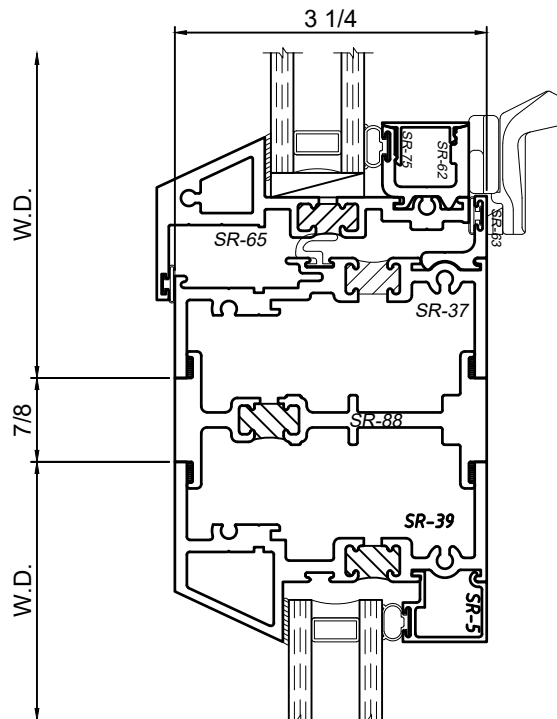
Heavy Duty SR-88 Horizontal Stack Framing at SR-1 / SR-10

WINCO RESERVES THE RIGHT TO MODIFY OR CHANGE INFORMATION WITHIN THIS BOOK WHEN DEEMED NECESSARY FOR PRODUCT IMPROVEMENT



Heavy Duty SR-88 Horizontal Stack Framing at SR-37 / SR-39

© WINCO WINDOW COMPANY, INC. 2026



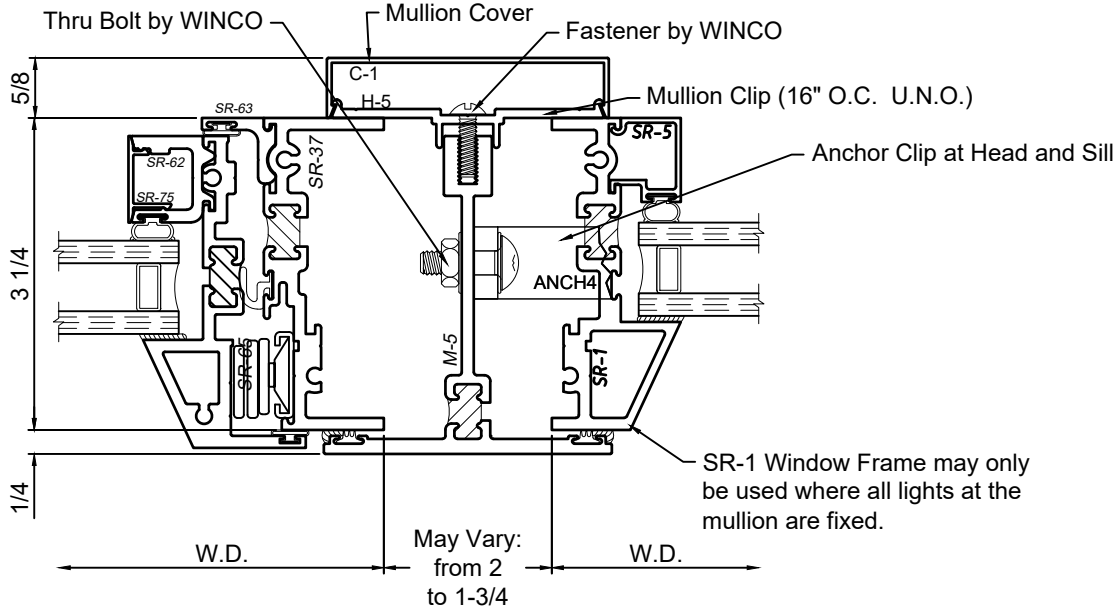
SCALE 6"=1'-0"

# 3250 Series 3-1/4" Thermal Fixed, Casement & Projected Windows

## Product Details - Trim - Mullion and Stacking

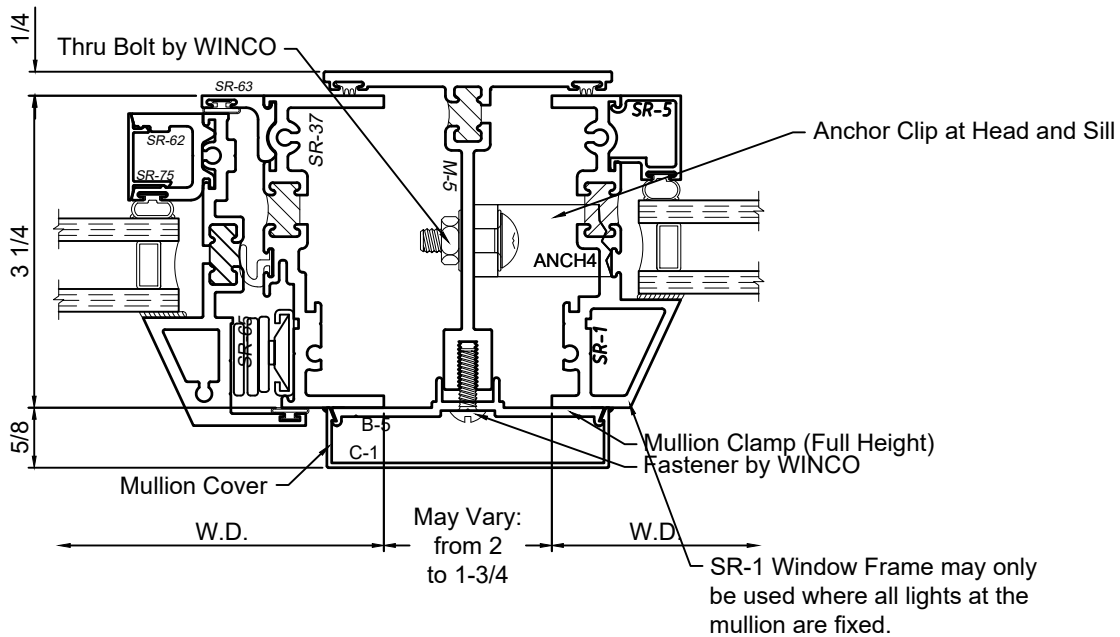


### M-5 Mullion set from Building Interior



WINCO RESERVES THE RIGHT TO MODIFY OR CHANGE INFORMATION WITHIN THIS BOOK WHEN DEEMED NECESSARY FOR PRODUCT IMPROVEMENT

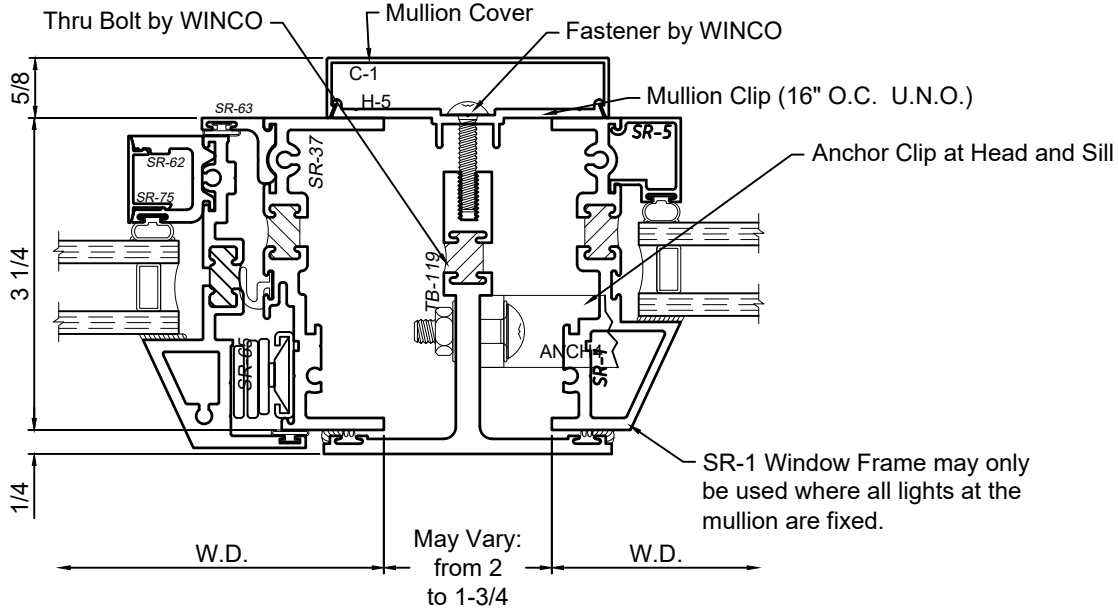
### M-5 Mullion set from Building Exterior



© WINCO WINDOW COMPANY, INC. 2026

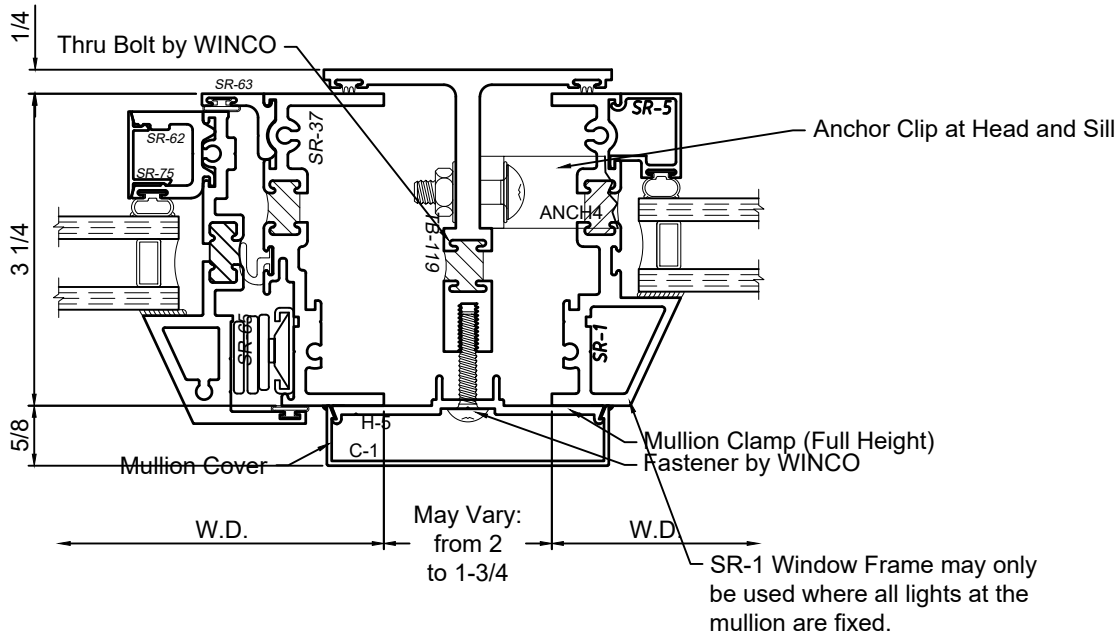
SCALE 6"=1'-0"

### TB-119 Mullion set from Building Interior



WINCO RESERVES THE RIGHT TO MODIFY OR CHANGE INFORMATION WITHIN THIS BOOK WHEN DEEMED NECESSARY FOR PRODUCT IMPROVEMENT

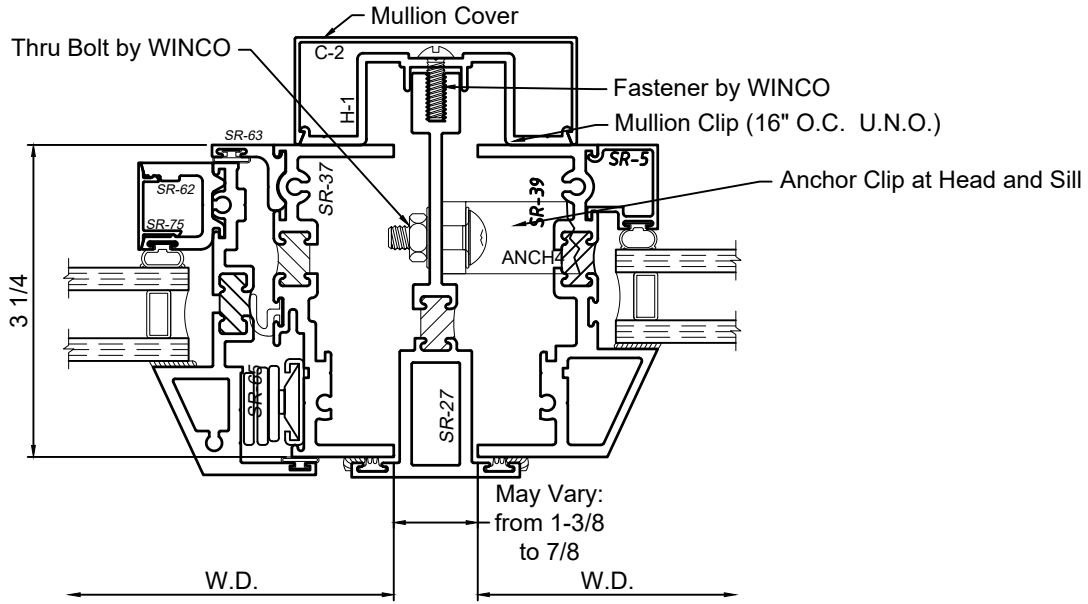
### TB-119 Mullion set from Building Exterior



© WINCO WINDOW COMPANY, INC. 2026

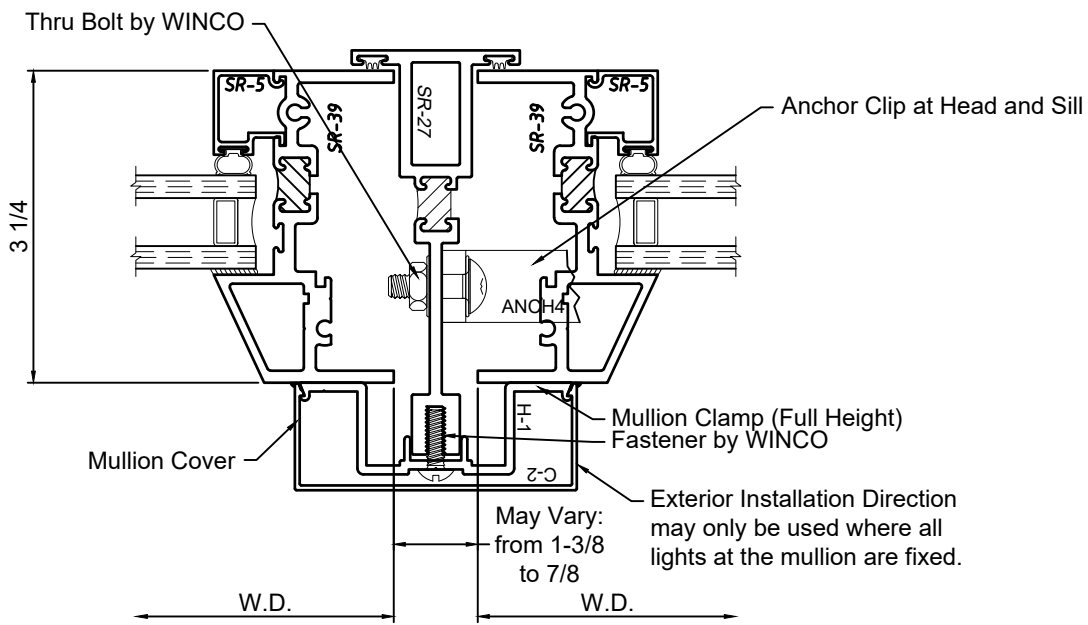
SCALE 6"=1'-0"

SR-27 Mullion set from Building Interior



WINCO RESERVES THE RIGHT TO MODIFY OR CHANGE INFORMATION WITHIN THIS BOOK WHEN DEEMED NECESSARY FOR PRODUCT IMPROVEMENT

SR-27 Mullion set from Building Exterior

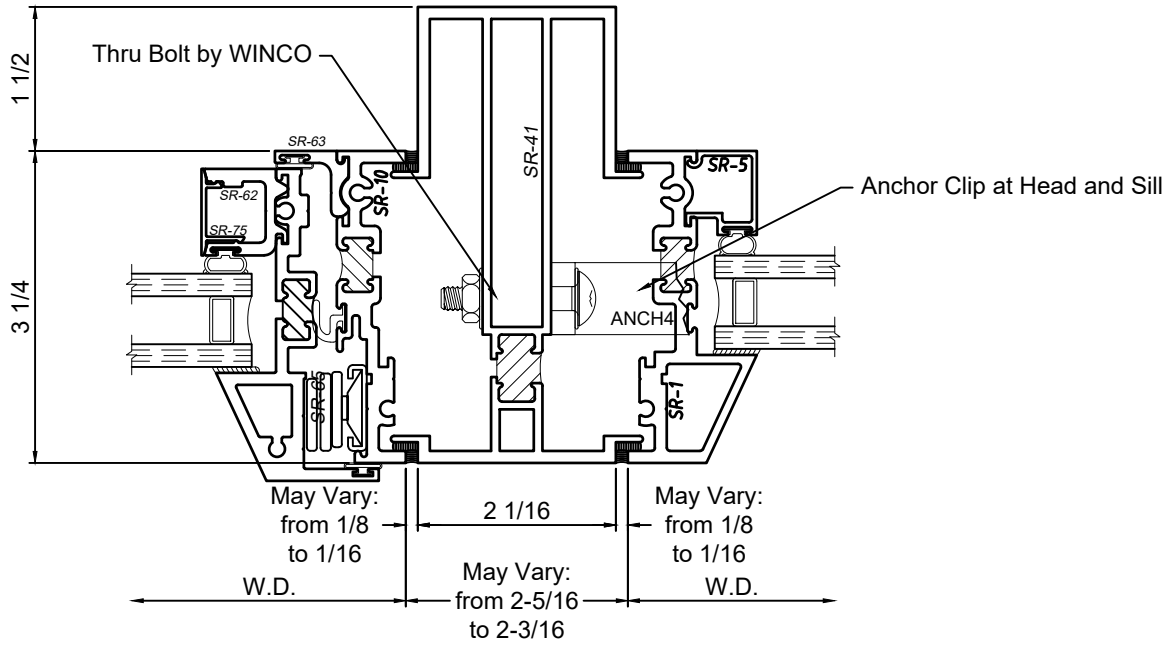


© WINCO WINDOW COMPANY, INC. 2026

SCALE 6"=1'-0"

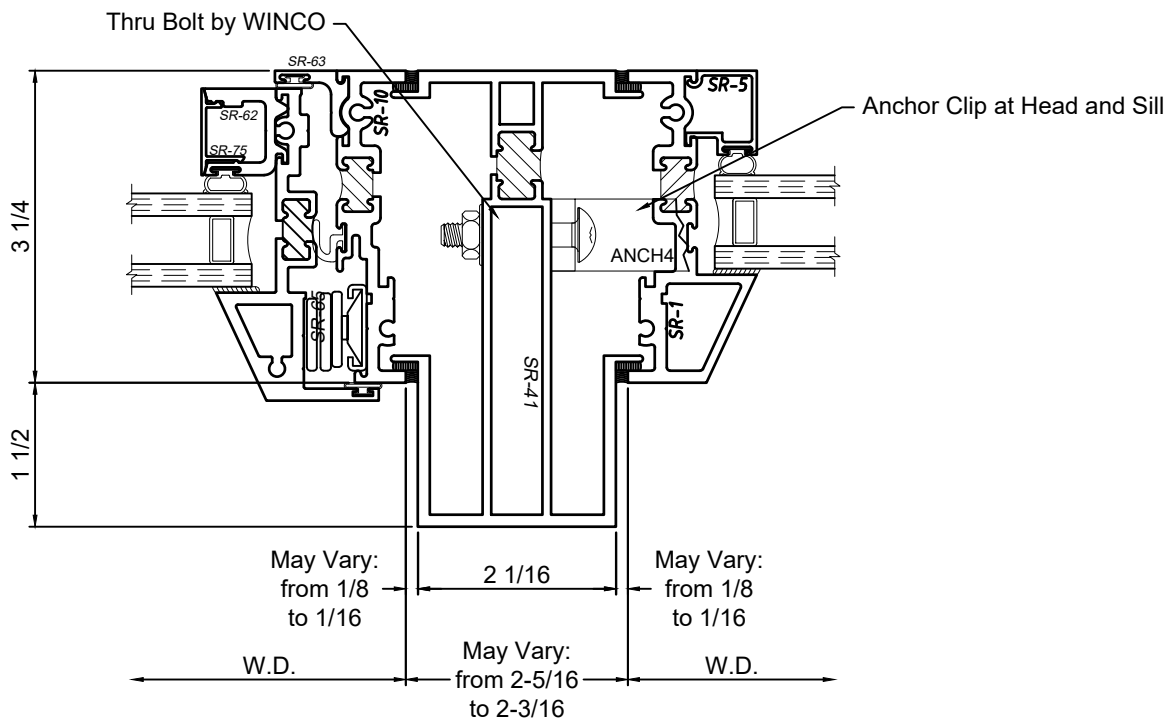
M-41 Mullion set from Building Interior

WINCO RESERVES THE RIGHT TO MODIFY OR CHANGE INFORMATION WITHIN THIS BOOK WHEN DEEMED NECESSARY FOR PRODUCT IMPROVEMENT



M-41 Mullion set from Building Exterior

© WINCO WINDOW COMPANY, INC. 2026



SCALE 6"=1'-0"

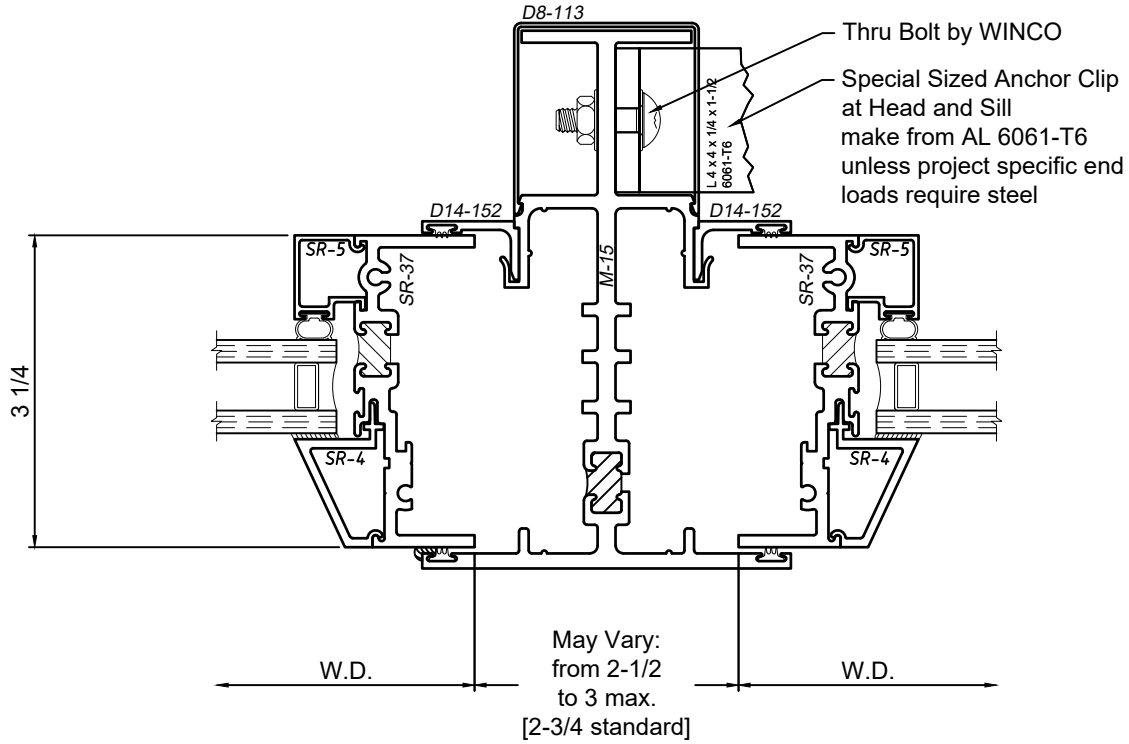
# 3250 Series 3-1/4" Thermal Fixed, Casement & Projected Windows

## Product Details - Trim - Mullion and Stacking



### M-15 Mullion set from Building Interior

WINCO RESERVES THE RIGHT TO MODIFY OR CHANGE INFORMATION WITHIN THIS BOOK WHEN DEEMED NECESSARY FOR PRODUCT IMPROVEMENT



© WINCO WINDOW COMPANY, INC. 2026

SCALE 6"=1'-0"