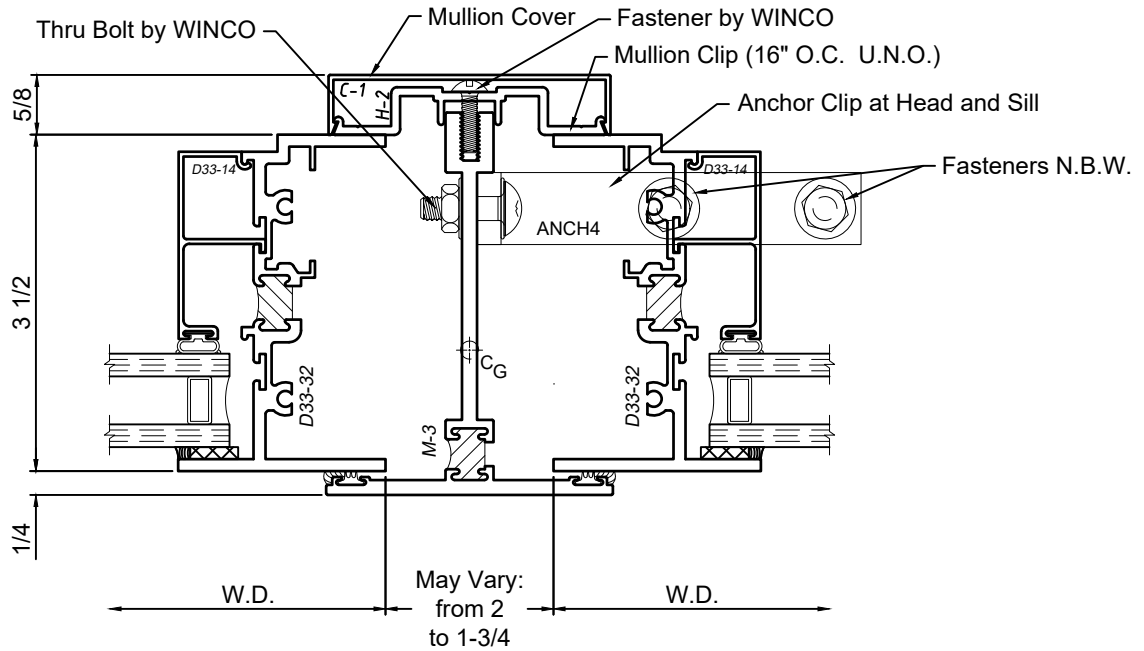
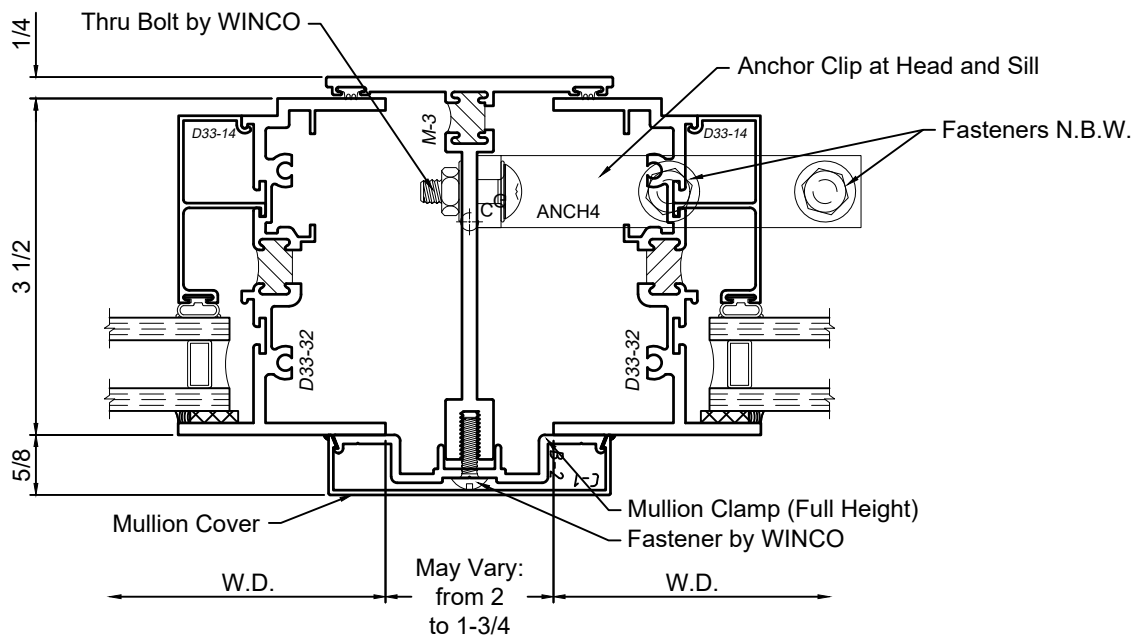


### M-3 Mullion set from Building Interior



### M-3 Mullion set from Building Exterior

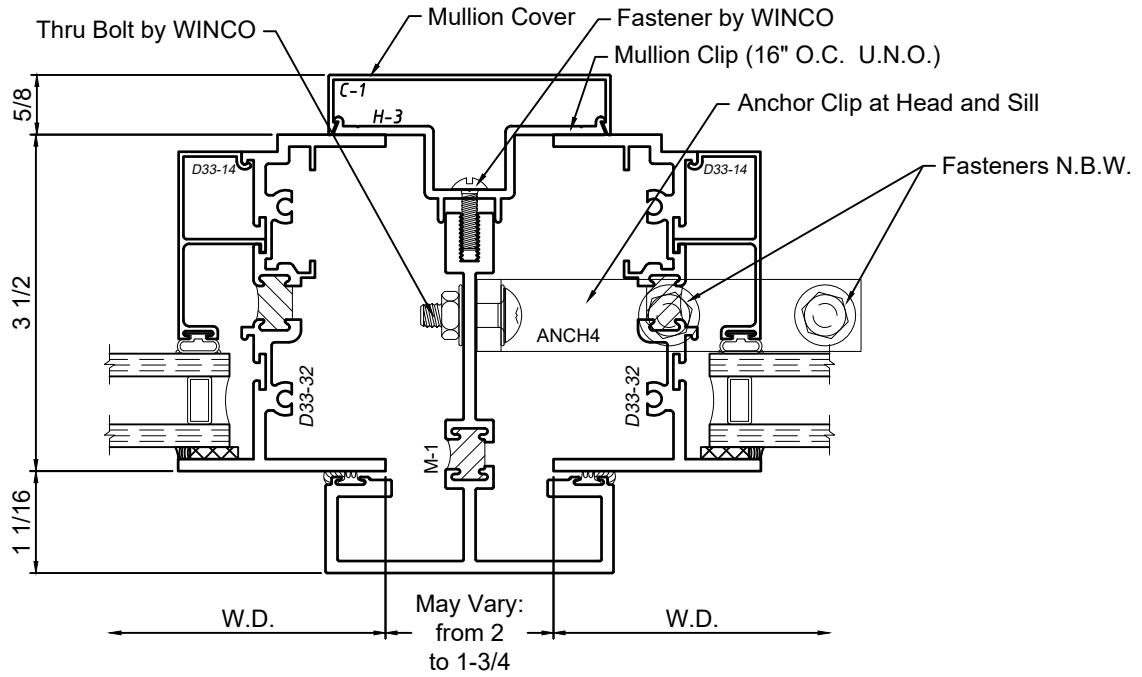


SCALE 6"=1'-0"

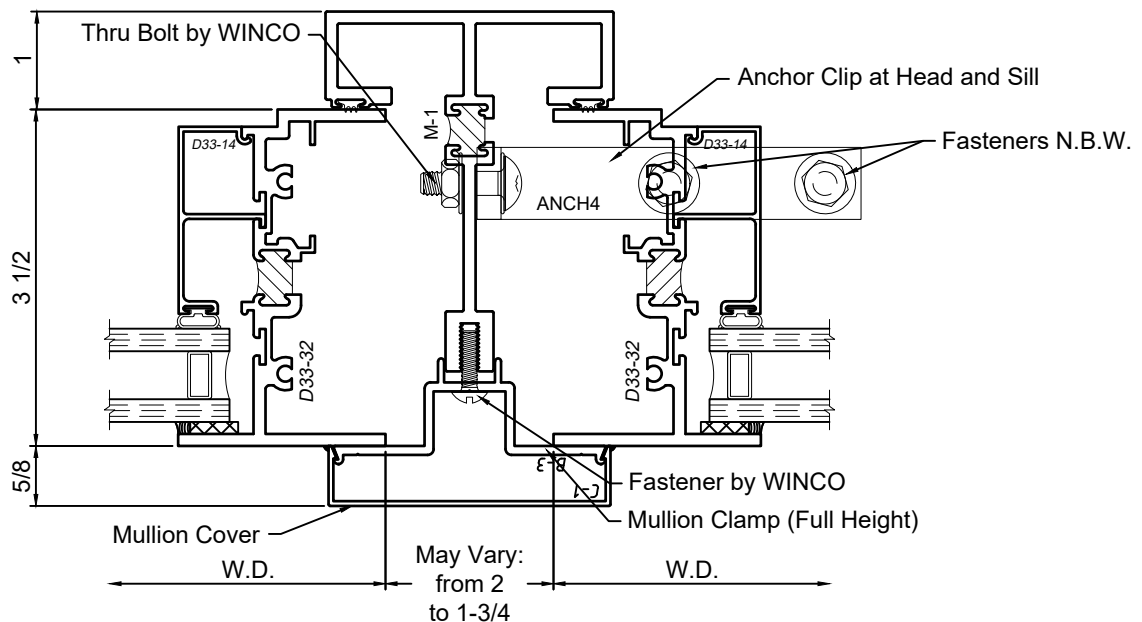
WINCO RESERVES THE RIGHT TO MODIFY OR CHANGE INFORMATION WITHIN THIS BOOK WHEN DEEMED NECESSARY FOR PRODUCT IMPROVEMENT

© WINCO WINDOW COMPANY, INC. 2026

### M-1 Mullion set from Building Interior



### M-1 Mullion set from Building Exterior

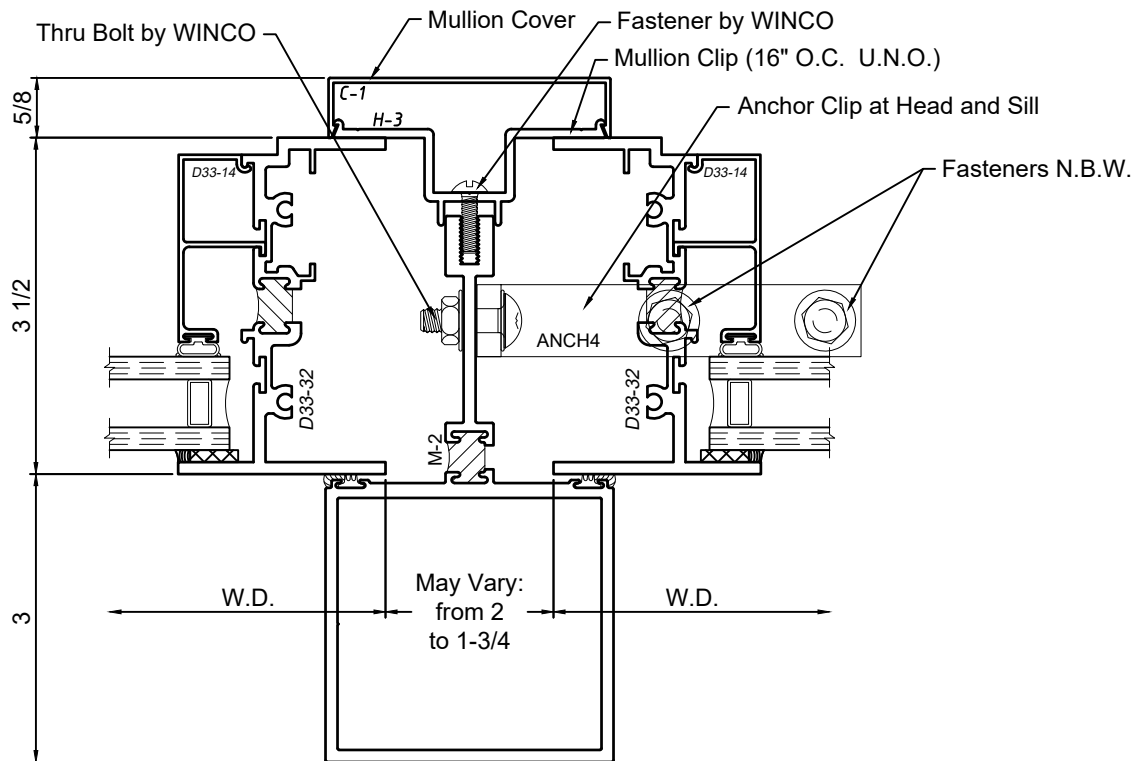


SCALE 6"=1'-0"

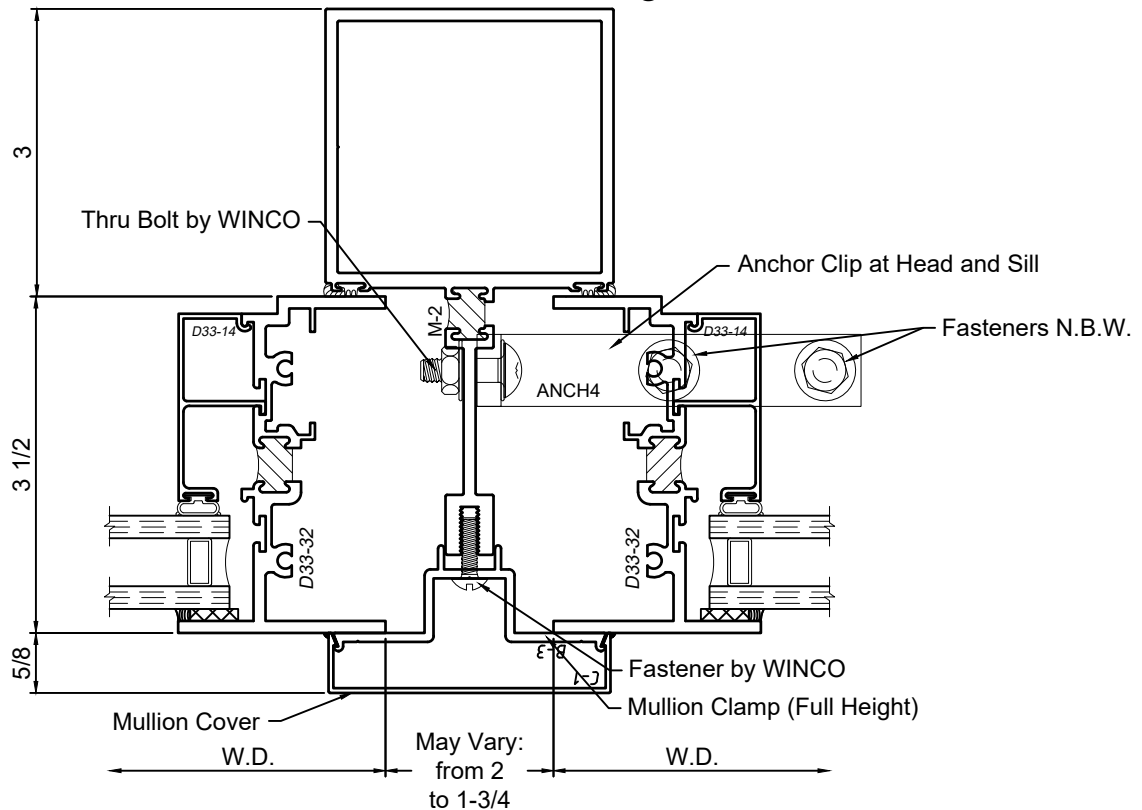
WINCO RESERVES THE RIGHT TO MODIFY OR CHANGE INFORMATION WITHIN THIS BOOK WHEN DEEMED NECESSARY FOR PRODUCT IMPROVEMENT

© WINCO WINDOW COMPANY, INC. 2026

### M-2 Mullion set from Building Interior



### M-2 Mullion set from Building Exterior



SCALE 6"=1'-0"

WINCO RESERVES THE RIGHT TO MODIFY OR CHANGE INFORMATION WITHIN THIS BOOK WHEN DEEMED NECESSARY FOR PRODUCT IMPROVEMENT

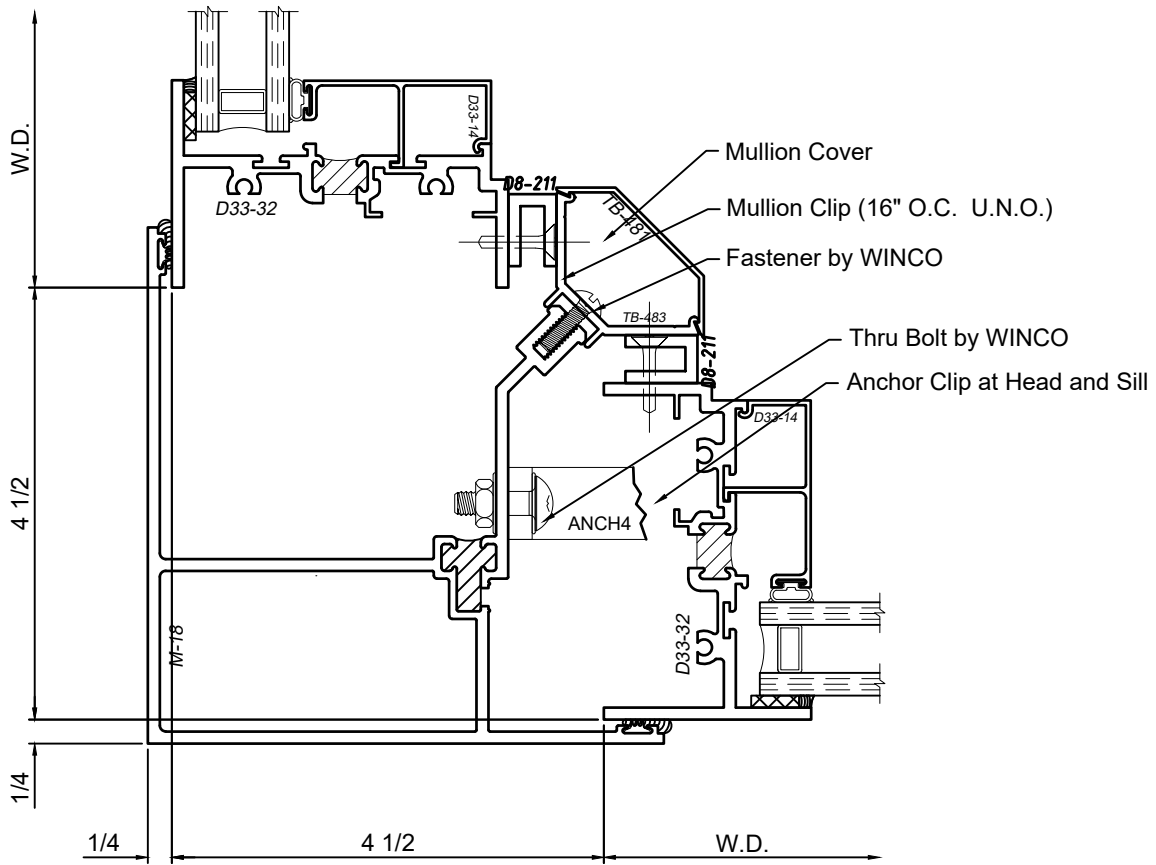
© WINCO WINDOW COMPANY, INC. 2026

# 3350 Series 3-1/2" Thermal Fixed, Casement & Projected Windows

## Product Details - Trim - 90° Corner Mullion



WINCO RESERVES THE RIGHT TO MODIFY OR CHANGE INFORMATION WITHIN THIS BOOK WHEN DEEMED NECESSARY FOR PRODUCT IMPROVEMENT



© WINCO WINDOW COMPANY, INC. 2026

SCALE 6"=1'-0"

# 3350 Series 3-1/2" Thermal Fixed, Casement & Projected Windows

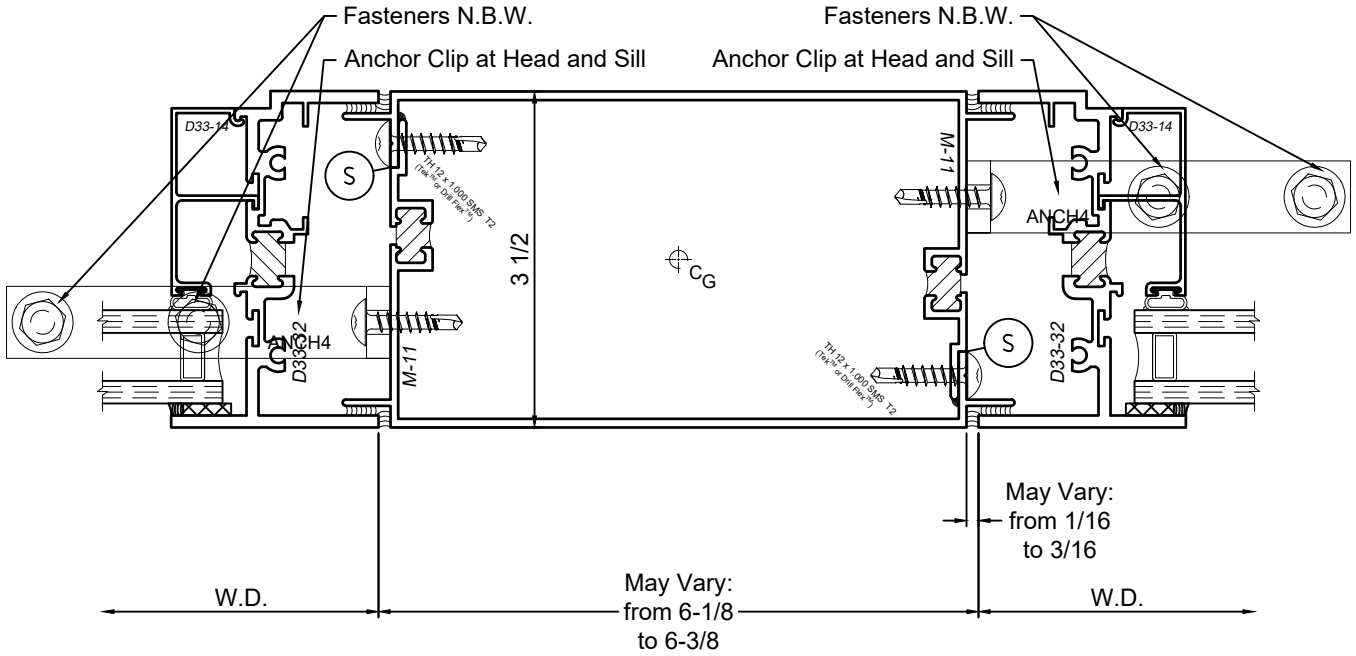
## Product Details - Trim - Special Box Mullion



### M-11 Mullion

Recommended usage only with Jamb Receptor for installation clearances

WINCO RESERVES THE RIGHT TO MODIFY OR CHANGE INFORMATION WITHIN THIS BOOK WHEN DEEMED NECESSARY FOR PRODUCT IMPROVEMENT



© WINCO WINDOW COMPANY, INC. 2026

SCALE 6"=1'-0"