

4410S Series 4" Thermal Fixed & Single Hung Windows

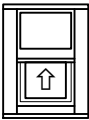

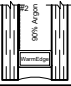
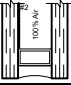
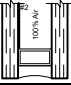
Product Information



WINCO RESERVES THE RIGHT TO MODIFY OR CHANGE INFORMATION WITHIN THIS BOOK WHEN DEEMED NECESSARY FOR PRODUCT IMPROVEMENT

PERFORMANCE

The Series 4410S window is a thermally broken mainframe and sash that exceeds the performance specification criteria as required by ANSI/AAMA for AW (Architectural Grade) windows.

<p>Single Hung (SH) Vertical Slider (VS) [NFRC]</p>  <p>U_{COG}=0.20 Btu/hr-ft²-°F Tripple Silver Low-E #2 x 90% Argon x Low-E No.4 example: SNX 62/27 or Solarban70 + IS20 or Sungate Therml</p> <p>NFRC Size ¹ 47" x 59" U_{Window} = 0.49 Btu/h-ft²-°f² CI= ? (NFRC 501) ²</p> <p>NAFS Size ³ 60" x 99" U_{Window} = 0.41 Btu/h-ft²-°f⁴ CRF= 52 (AAMA 1503) ⁵</p>  <p>U_{COG}=0.24 Btu/hr-ft²-°F Tripple Silver Low-E #2 x 90% Argon x Uncoated example: SNX 62/27 or Solarban70</p> <p>NFRC Size ¹ 47" x 59" U_{Window} = 0.50 Btu/h-ft²-°f² CI= ? (NFRC 501) ²</p> <p>NAFS Size ³ 60" x 99" U_{Window} = 0.42 Btu/h-ft²-°f⁴ CRF= 52 (AAMA 1503) ⁵</p>  <p>U_{COG}=0.29 Btu/hr-ft²-°F Double Silver Low-E #2 x 100% Air x Uncoated example: SN-68 or Solarban60</p> <p>NFRC Size ¹ 47" x 59" U_{Window} = 0.53 Btu/h-ft²-°f² CI= ? (NFRC 501) ²</p> <p>NAFS Size ³ 60" x 99" U_{Window} = 0.44 Btu/h-ft²-°f⁴ CRF= 52 (AAMA 1503) ⁵</p>  <p>U_{COG}=0.34 Btu/hr-ft²-°F Single Silver Low-E #2 x 100% Air x Uncoated example: ES73 or Energy Advantage (Air, Aluminum Box-Spacer)</p> <p>NFRC Size ¹ 47" x 59" U_{Window} = 0.55 Btu/h-ft²-°f² CI= ? (NFRC 501) ²</p> <p>NAFS Size ³ 60" x 99" U_{Window} = 0.45 Btu/h-ft²-°f⁴ CRF= -- (AAMA 1503) ⁵</p>  <p>U_{COG}=0.47 Btu/hr-ft²-°F Uncoated x 100% Air x Uncoated example: Clear over Clear (Air, Aluminum Box-Spacer)</p> <p>NFRC Size ¹ 47" x 59" U_{Window} = 0.65 Btu/h-ft²-°f² CI= -- (NFRC 501) ²</p> <p>NAFS Size ³ 60" x 99" U_{Window} = 0.50 Btu/h-ft²-°f⁴ CRF= -- (AAMA 1503) ⁵</p>	<p>NAFS / AAMA 101 Test Size 60" x 99" Class: AW Performance Grade: 65 Air Infiltration: <0.3 CFM Water Infiltration Resistance: > 10 psf</p>
	<p>Can be Configured for ADA Compliance</p> <p><input checked="" type="checkbox"/> Not-Applicable <input type="checkbox"/> Yes</p>
	<p>Can be configured to meet Windborne Debris Impact Resistance to ASTM E1886 / ASTM E1996</p> <p><input checked="" type="checkbox"/> Not Rated <input type="checkbox"/> Missile "D" <input type="checkbox"/> Missile "E"</p>
	<p>Product Type may be configured for Blast Resistant Installation</p> <p><input type="checkbox"/> No <input checked="" type="checkbox"/> Yes⁶</p>

This information is based on current product design, sealed dual glazing, warm edge spacers and testing standards. Solar Heat Gain Coefficient (SHGC) is not predicted since this is highly variable with Glass Tint & Low-E Coating Product. Please contact WINCO for project specific information.

¹ NFRC 101 Test & Rating Size

² Based on NFRC 100/200/500 Rating and LBNL Window 7.8 Simulations following NFRC Protocols

³ AAMA 101 (NAFS) Gateway Test Size

⁴ Based on LBNL Window Simulations following NFRC Protocols

⁵ AAMA 101 Test Size and AAMA 1503 Test Protocol

⁶ Blast Resistant Configuration is highly dependant on Product Size, Blast Design Load(s) and Project Specific Glass, Frame & Connection Response (Required Level of Protection, Allowable Hazard Level)

© WINCO WINDOW COMPANY, INC. 2026

4410S Series 4" Thermal Fixed & Single Hung Windows



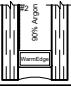
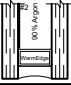
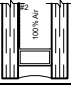
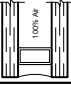
Product Information



WINCO RESERVES THE RIGHT TO MODIFY OR CHANGE INFORMATION WITHIN THIS BOOK WHEN DEEMED NECESSARY FOR PRODUCT IMPROVEMENT

PERFORMANCE

The Series 4500 window is a thermally broken mainframe and sash that exceeds the performance specification criteria as required by ANSI/AAMA for AW (Architectural Grade) windows.

<p>Fixed (Picture Window)</p>  <p>NAFS / AAMA 101 Test Size 60" x 99" Class: AW Performance Grade: 65 Air Infiltration: <0.02 CFM Water Infiltration Resistance: > 12 psf</p> <p>Can be Configured for ADA Compliance <input type="checkbox"/> Not-Applicable <input checked="" type="checkbox"/> Yes</p> <p>Can be configured to meet Windborne Debris Impact Resistance to ASTM E1886 / ASTM E1996 <input checked="" type="checkbox"/> Not Rated <input type="checkbox"/> Missile "D" <input type="checkbox"/> Missile "E"</p> <p>Product Type may be configured for Blast Resistant Installation <input type="checkbox"/> No <input checked="" type="checkbox"/> Yes⁶</p>	 <p>$U_{COG}=0.20$ Btu/hr-ft²-°F Tripple Silver Low-E #2 x 90% Argon x Low-E No.4 example: SNX 62/27 or Solarban70 + IS20 or Sungate Therml</p>
	<p>NFRC Size ¹ 47" x 59" $U_{Window}=0.34$ Btu/h-ft²-°f² CI= ? (NFRC 501)²</p>
	<p>NAFS Size ³ 60" x 99" $U_{Window}=0.29$ Btu/h-ft²-°f⁴ CRF= 54 (AAMA 1503)⁵</p>
	 <p>$U_{COG}=0.24$ Btu/hr-ft²-°F Tripple Silver Low-E #2 x 90% Argon x Uncoated example: SNX 62/27 or Solarban70</p>
	<p>NFRC Size ¹ 47" x 59" $U_{Window}=0.37$ Btu/h-ft²-°f² CI= ? (NFRC 501)²</p>
	<p>NAFS Size ³ 60" x 99" $U_{Window}=0.33$ Btu/h-ft²-°f⁴ CRF= 54 (AAMA 1503)⁵</p>
	 <p>$U_{COG}=0.29$ Btu/hr-ft²-°F Double Silver Low-E #2 x 100% Air x Uncoated example: SN-68 or Solarban60</p>
	<p>NFRC Size ¹ 47" x 59" $U_{Window}=0.41$ Btu/h-ft²-°f² CI= ? (NFRC 501)²</p>
	<p>NAFS Size ³ 60" x 99" $U_{Window}=0.37$ Btu/h-ft²-°f⁴ CRF= 54 (AAMA 1503)⁵</p>
	 <p>$U_{COG}=0.34$ Btu/hr-ft²-°F Single Silver Low-E #2 x 100% Air x Uncoated example: ES73 or Energy Advantage (Air, Aluminum Box-Spacer)</p>
	<p>NFRC Size ¹ 47" x 59" $U_{Window}=0.45$ Btu/h-ft²-°f² CI= ? (NFRC 501)²</p>
	<p>NAFS Size ³ 60" x 99" $U_{Window}=0.41$ Btu/h-ft²-°f⁴ CRF= -- (AAMA 1503)⁵</p>
 <p>$U_{COG}=0.47$ Btu/hr-ft²-°F Uncoated x 100% Air x Uncoated example: Clear over Clear (Air, Aluminum Box-Spacer)</p>	
<p>NFRC Size ¹ 47" x 59" $U_{Window}=0.55$ Btu/h-ft²-°f² CI= -- (NFRC 501)²</p>	
<p>NAFS Size ³ 60" x 99" $U_{Window}=0.52$ Btu/h-ft²-°f⁴ CRF= -- (AAMA 1503)⁵</p>	

This information is based on current product design, sealed dual glazing, warm edge spacers and testing standards. Solar Heat Gain Coefficient (SHGC) is not predicted since this is highly variable with Glass Tint & Low-E Coating Product. Please contact WINCO for project specific information.

¹ NFRC 101 Test & Rating Size

² Based on NFRC 100/200/500 Rating and LBNL Window 7.8 Simulations following NFRC Protocols

³ AAMA 101 (NAFS) Gateway Test Size

⁴ Based on LBNL Window Simulations following NFRC Protocols

⁵ AAMA 101 Test Size and AAMA 1503 Test Protocol

⁶ Blast Resistant Configuration is highly dependant on Product Size, Blast Design Load(s) and Project Specific Glass, Frame & Connection Response (Required Level of Protection, Allowable Hazard Level)

© WINCO WINDOW COMPANY, INC. 2026

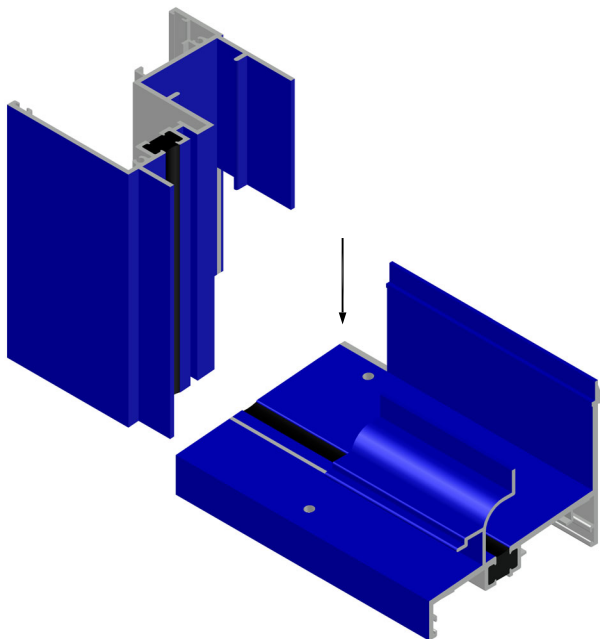
CONSTRUCTION

MATERIAL - The Series 4410S window is a 4" deep frame depth with a nominal wall thickness of 0.060 inch. All material is extruded from 6063-T6 alloy.

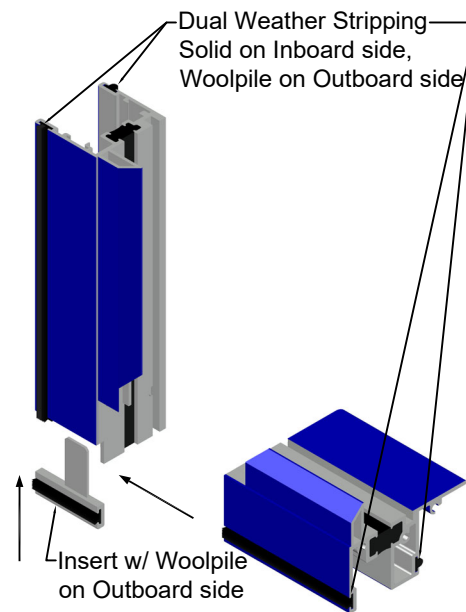
THERMAL BREAK - All framing members of the window system are thermally broken. Winco uses the Azon Azo Brader[®] process to mechanically condition the surface of the thermal cavity. The process runs the entire length of the extrusion and creates serrations that ensure proper adhesion of the structural polymer. The structural urethane is a high density 2 part formula providing optimum thermal performance for the most demanding conditions. The combination of the conditioning of the aluminum surface along with the two part urethane allows Winco to provide a full 10 year warranty against thermal break creep and shrinkage in accordance with AAMA 505-17.

WEATHER-STRIP - All operating sash have a heavy fin wool pile weather strip on the exterior for superior water and air performance. On the interior side of the sash, a rigid vinyl weatherstripping is used for ease of operation.

FABRICATION - The main frame corners are coped and mechanically joined using two stainless steel spline screws per corner (fig 1). The sash (vent) corners are coped & milled and mechanically joined using two stainless steel spline screws per corner, aligning the members to form a hairline joint (fig 2). All frame joints are back sealed with small joint seam sealer providing a water tight joinery.



(fig 1) Main Frame Construction



(fig 2) Vent Construction

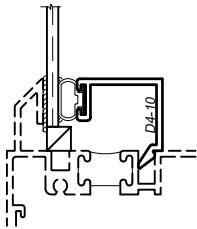
4410S Series 4" Thermal Fixed & Single Hung Windows

Product Information - Glass Options & Combination

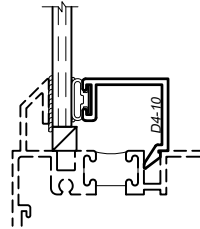


GLAZING

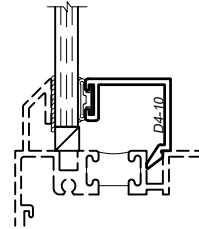
The windows can be interior or exterior glazed with .050 thick extruded aluminum glazing beads accommodating thicknesses from 1/4" up to 1". Dual or triple glazing is an option utilizing an interior panel sash that is a take out sash. Venetian blinds are available with the dual glazed window options. See the quick reference chart below for all glazing options. For actual details refer to the glazing section in the back of the 4410S section for optional glazing and blind details.



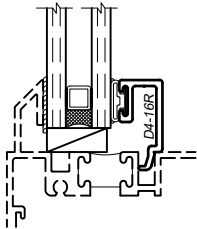
1/8" Glazing Bead
D4-10



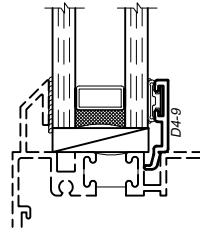
3/16" Glazing Bead
D4-10



1/4" Glazing Bead
D4-10



5/8" Glazing Bead
D4-16R



1" Glazing Bead
D4-9

WINCO RESERVES THE RIGHT TO MODIFY OR CHANGE INFORMATION WITHIN THIS BOOK WHEN DEEMED NECESSARY FOR PRODUCT IMPROVEMENT

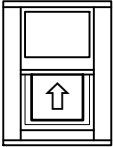
© WINCO WINDOW COMPANY, INC. 2026

Winco has different gaskets and glazing methods that can accommodate odd thicknesses of glass. If you do not see what you are looking for within this chart please contact your local representative for information regarding your specific project needs.

HARDWARE - Hung Configurations

All exposed locking hardware, strikes and keepers are solid white bronze alloy with US25D brushed finish. All snap lock hardware is manufactured from extruded aluminum matching the window finish.

WINCO RESERVES THE RIGHT TO MODIFY OR CHANGE INFORMATION WITHIN THIS BOOK WHEN DEEMED NECESSARY FOR PRODUCT IMPROVEMENT

	Single Hung (SH) w/ Default Hardware Kit	<u>Optional Hardware Accessories:</u> Access Control Sweep Locks
	Class 5 Ultra-Lift Sash Balance Sweep Lock(s) ¹ at Meeting Rail Spring Loaded Auto-Snap Lock ² at Head and Sill	Non-Removable Limit Stop

Please contact WINCO for project specific information

¹ Sweep Lock Quantity is dependent on Operable Vent Width & Height, Additional Locks can be specified, but minimum Qty is determined by WINCO Engineering

² Spring Loaded Snap Locks are not furnished at the Sill on window units designated as "Secondary Means of Egress"

© WINCO WINDOW COMPANY, INC. 2026

SCREENS

FRAME - frames are fabricated from 6063-T6 extruded aluminum alloy and temper. All screen frames are miter cut and corner keyed. The corners are mechanically crimped together for durability. The screen frame is finished to match the window frame.

MESH - Standard 0.011" aluminum screen wire mesh is produced from 5154 alloy with 18x16 pattern in Charcoal or Aluminum color. All mesh is applied to the screen frame with a roller spline making for easy and quick replacements. Optional fiberglass or 0.009" stainless steel mesh is available as an option.

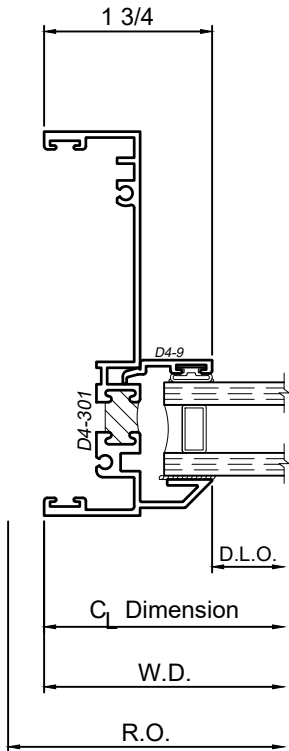
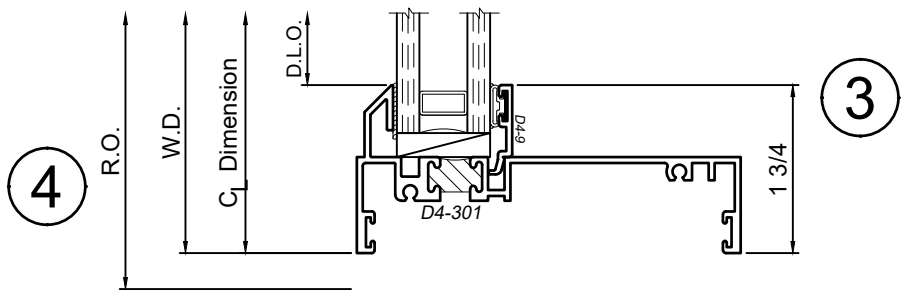
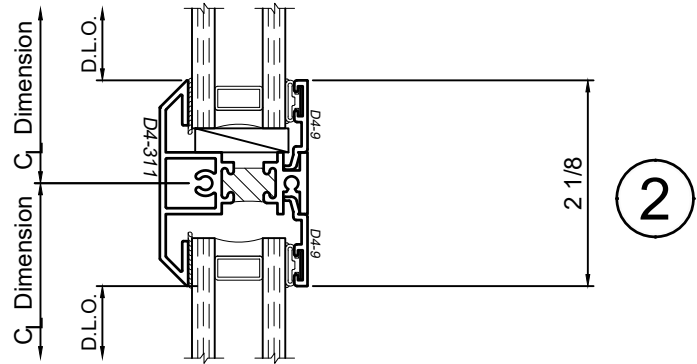
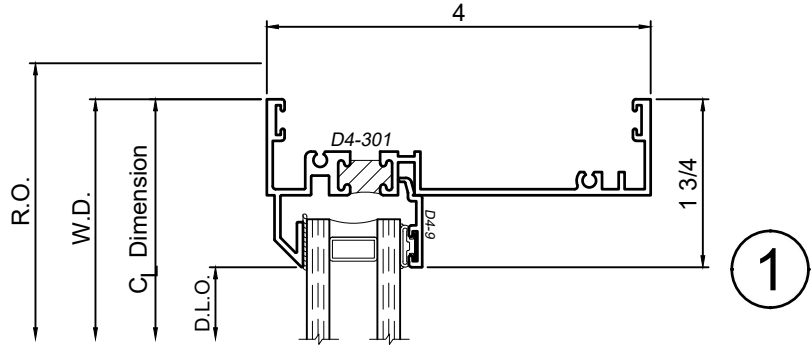
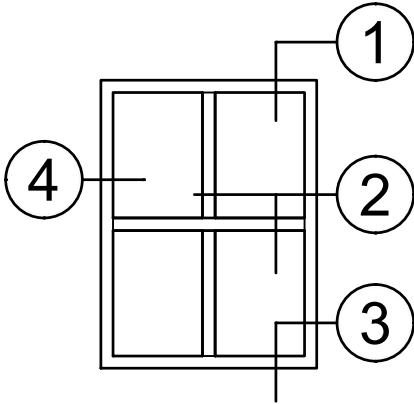
4410S Series 4" Thermal Fixed & Single Hung Windows

Product Details - Fixed - Picture Window



Note: Multiple configurations of this window system are available. Refer to the WINCO website for additional options or contact your local WINCO Sales Representative for information.

WINCO RESERVES THE RIGHT TO MODIFY OR CHANGE INFORMATION WITHIN THIS BOOK WHEN DEEMED NECESSARY FOR PRODUCT IMPROVEMENT



SCALE 6"=1'-0"

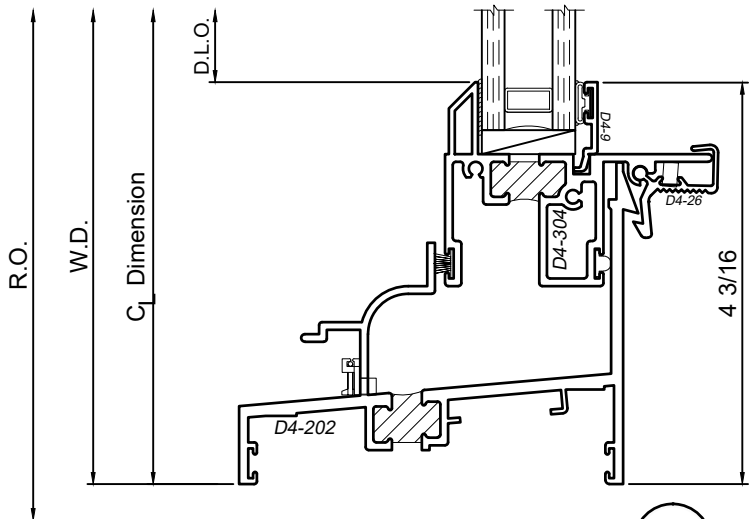
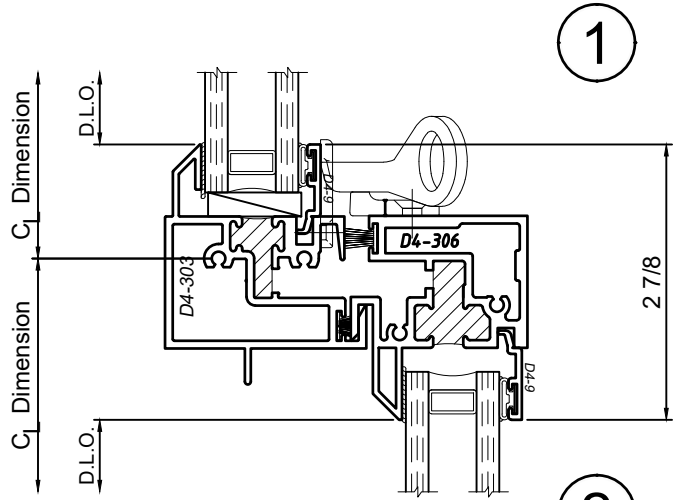
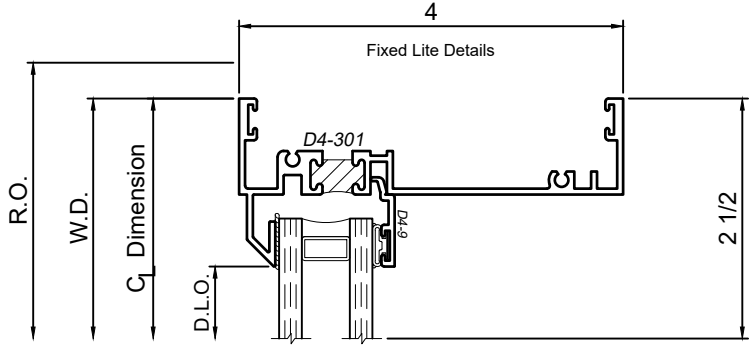
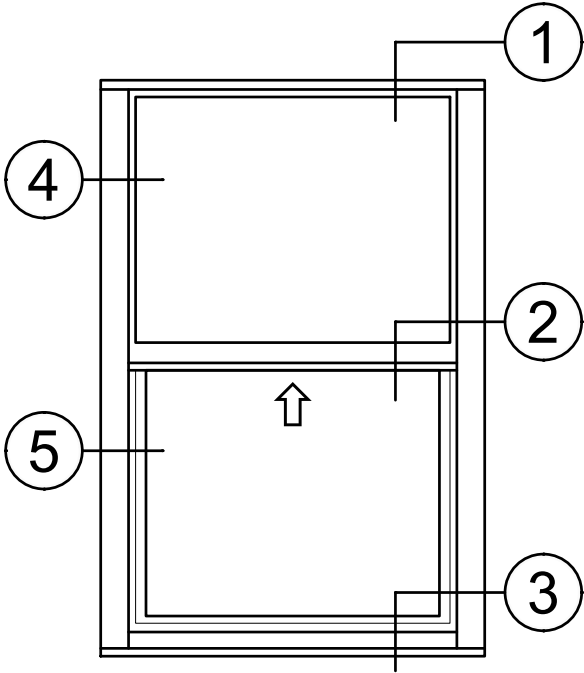
4410S Series 4" Thermal Fixed & Single Hung Windows

Product Details - Single Hung Window Head and Sill Details



Note: Multiple configurations of this window system are available. Refer to the WINCO website for additional options or contact your local WINCO Sales Representative for information.

WINCO RESERVES THE RIGHT TO MODIFY OR CHANGE INFORMATION WITHIN THIS BOOK WHEN DEEMED NECESSARY FOR PRODUCT IMPROVEMENT



SCALE 6"=1'-0"

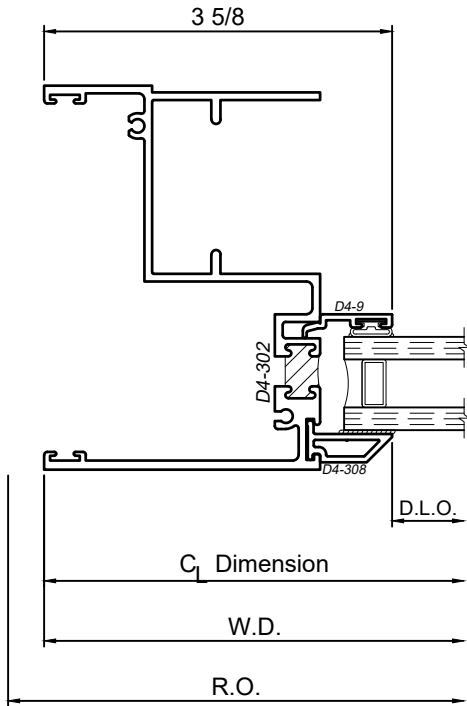
4410S Series 4" Thermal Fixed & Single Hung Windows

Product Details - Single Hung Window Jamb Details

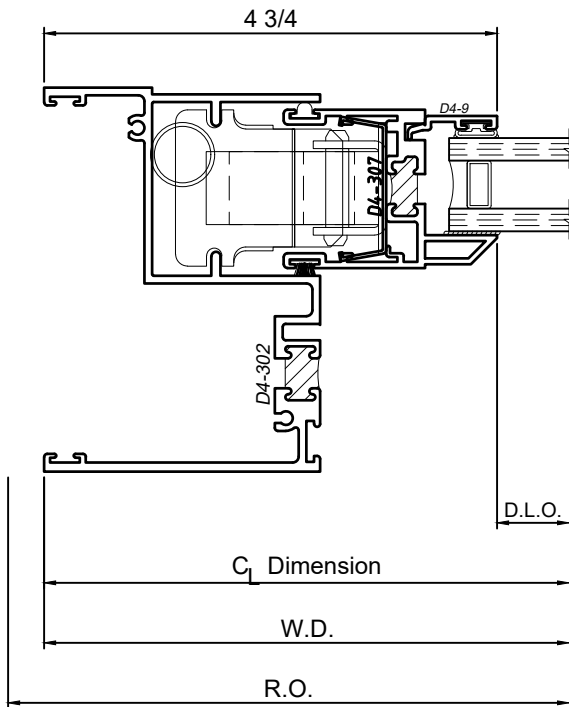


Note: Multiple configurations of this window system are available. Refer to the WINCO website for additional options or contact your local WINCO Sales Representative for information.

WINCO RESERVES THE RIGHT TO MODIFY OR CHANGE INFORMATION WITHIN THIS BOOK WHEN DEEMED NECESSARY FOR PRODUCT IMPROVEMENT



4



5

SCALE 6"=1'-0"

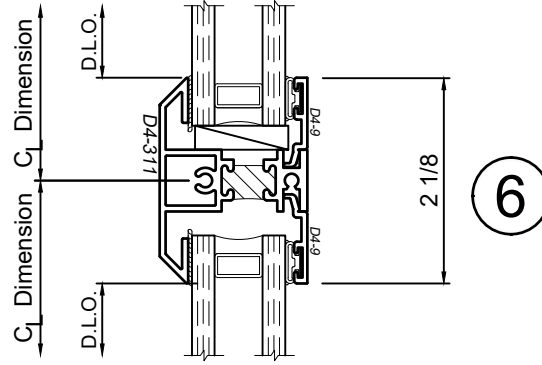
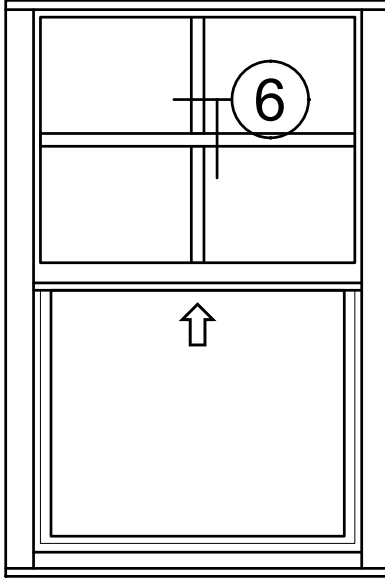
© WINCO WINDOW COMPANY, INC. 2026

4410S Series 4" Thermal Fixed & Single Hung Windows

Product Details - Rail in Fixed Lite



WINCO RESERVES THE RIGHT TO MODIFY OR CHANGE INFORMATION WITHIN THIS BOOK WHEN DEEMED NECESSARY FOR PRODUCT IMPROVEMENT



© WINCO WINDOW COMPANY, INC. 2026

SCALE 6"=1'-0"

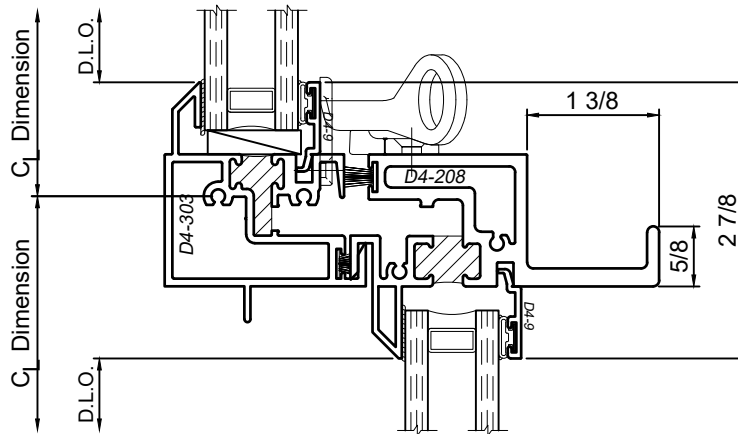
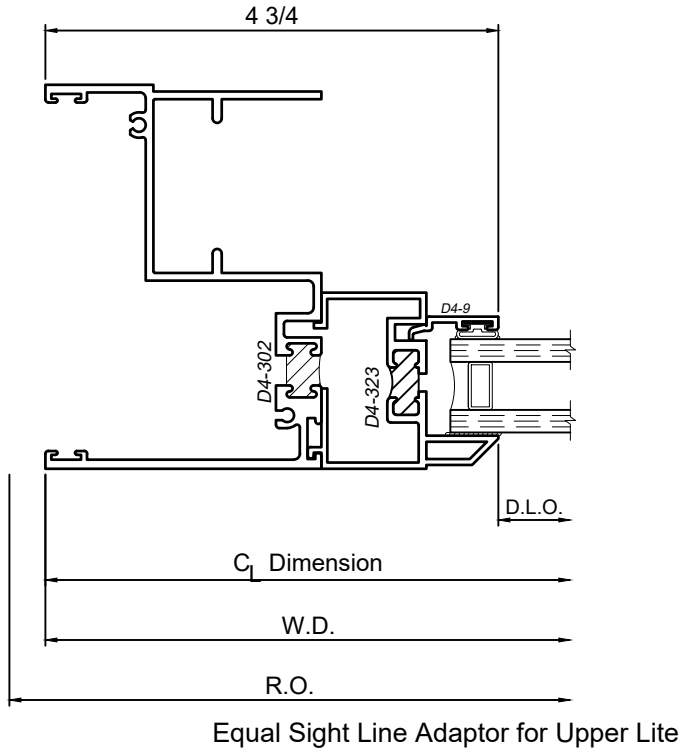
4410S Series 4" Thermal Fixed & Single Hung Windows

Product Details - Frame & Rail Options



Note: Multiple configurations of this window system are available. Refer to the WINCO website for additional options or contact your local WINCO Sales Representative for information.

WINCO RESERVES THE RIGHT TO MODIFY OR CHANGE INFORMATION WITHIN THIS BOOK WHEN DEEMED NECESSARY FOR PRODUCT IMPROVEMENT



Heavy Sash Rail for higher Wind Loads

SCALE 6"=1'-0"

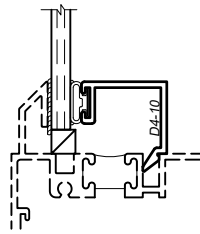
4410S Series 4" Thermal Fixed & Single Hung Windows

Product Details - Glazing Options

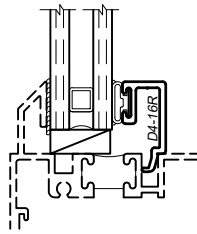


Note: Multiple configurations of this window system are available. Refer to the WINCO website for additional options or contact your local WINCO Sales Representative for information.

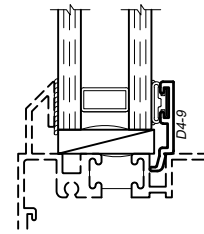
WINCO RESERVES THE RIGHT TO MODIFY OR CHANGE INFORMATION WITHIN THIS BOOK WHEN DEEMED NECESSARY FOR PRODUCT IMPROVEMENT



3/16" Glazing Bead
D4-10



5/8" Glazing Bead
D4-16R



1" Glazing Bead
D4-9

Monolithic glass should be limited to more than 5mm (3/16") thickness to allow for proper vinyl compression. 6mm (1/4") glass may require wet glazing on both sides.

Note: Odd glass thicknesses may be possible by changing the gasket or the thickness of the glazing silicone. If desired glazing is not shown please contact your local Winco Sales Representative for additional information.

© WINCO WINDOW COMPANY, INC. 2026

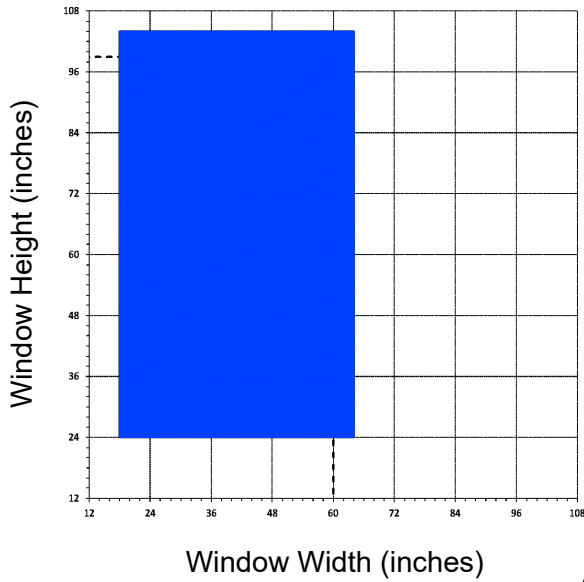
SCALE 6"=1'-0"

4410S Series 4" Thermal Fixed & Single Hung Windows Projected Vent Size Capabilities Charts

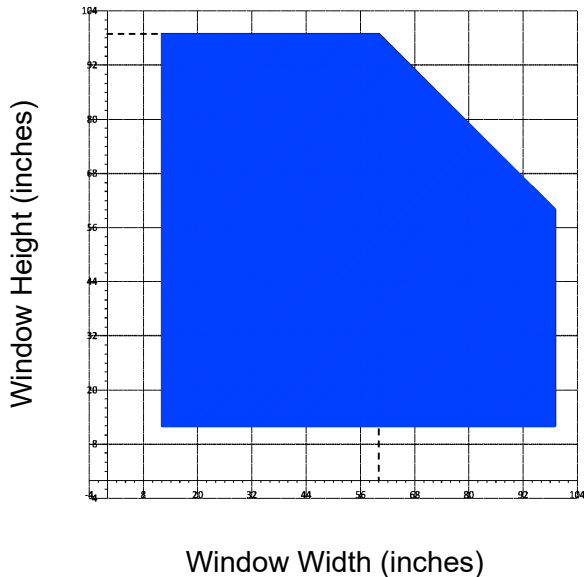


WINCO RESERVES THE RIGHT TO MODIFY OR CHANGE INFORMATION WITHIN THIS BOOK WHEN DEEMED NECESSARY FOR PRODUCT IMPROVEMENT

Single Hung



Fixed



© WINCO WINDOW COMPANY, INC. 2026

- Dashed line represents the gateway size window as tested by AAMA.
- All vent sizes are based upon 1" Insulated glass consisting of 1/4" glass - 1/2" air - 1/4" glass.
- Any vent size outside of the AAMA Gateway tested size may have reduced performance.
- Chart assumes the window has been installed in a properly prepared opening by a qualified installer.
- Individual job criteria such as: other glazing materials, specified wind load, and specific operating hardware; may enhance or restrict the chart.
- Minimum size is 18" x 24" for an Operable Unit and 12" x 12" for a fixed Unit.
- The chart is a general guideline for projected vent sizing, anything on the edge or outside of the range will need to be reviewed by Winco Engineering.

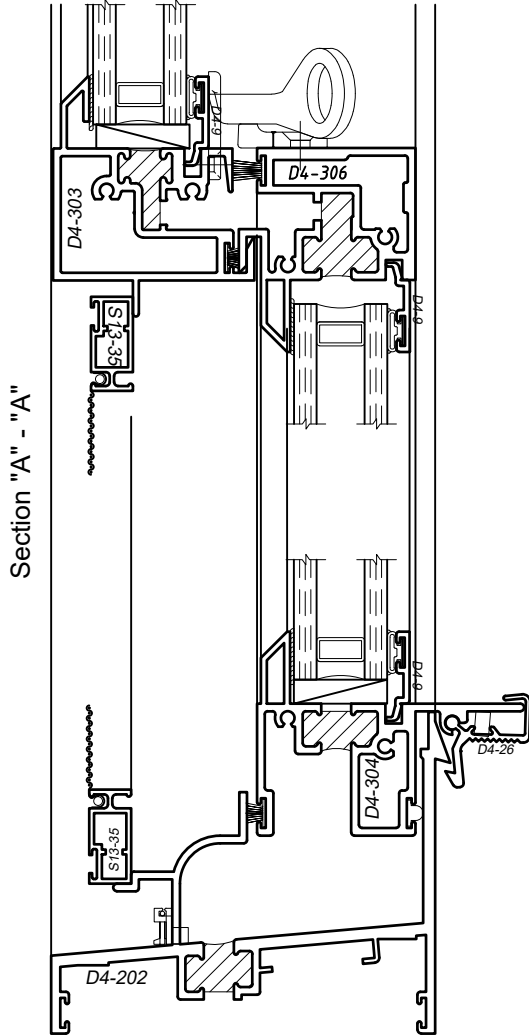
4410S Series 4" Thermal Fixed & Single Hung Windows

Product Details - Screen Options - Standard Fixed Screen

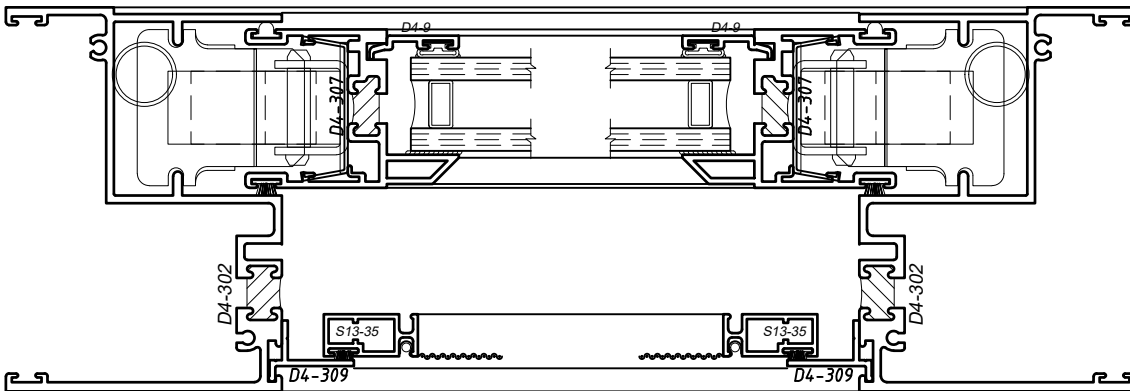
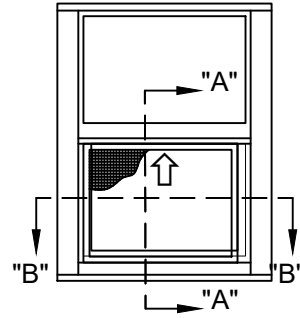


Note: Typical vent screen details shown. Winco reserves the right to alter the screen attachment detail due to job specific sizing and hardware. If you have specific screen applications you would like to see please contact your local Winco Sales Representative for more information.

WINCO RESERVES THE RIGHT TO MODIFY OR CHANGE INFORMATION WITHIN THIS BOOK WHEN DEEMED NECESSARY FOR PRODUCT IMPROVEMENT



All screen frames are fixed.



Section "B" - "B"

SCALE 6"=1'-0"

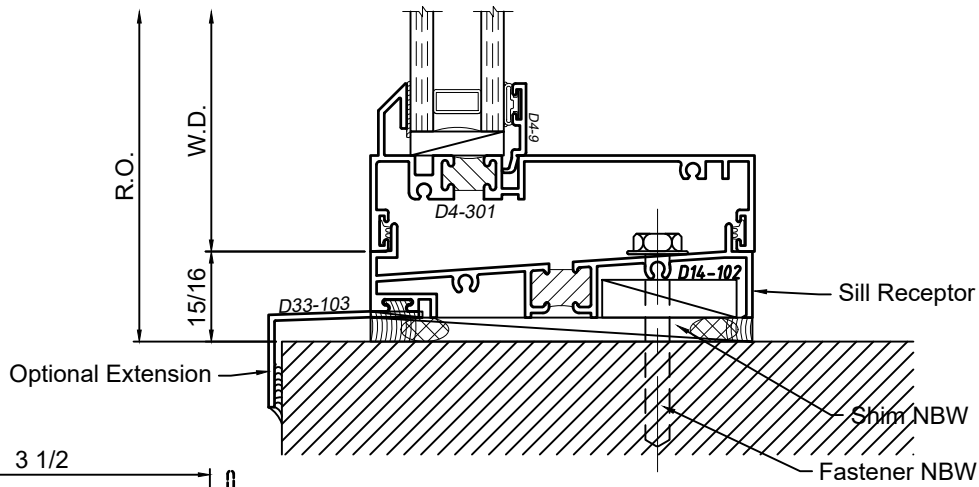
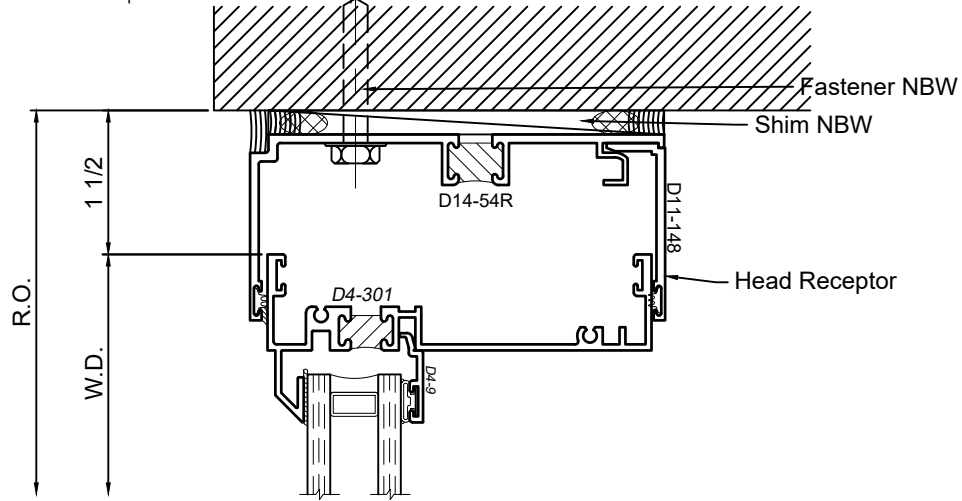
4410S Series 4" Thermal Fixed & Single Hung Windows

Product Details - Trim - Receptor Installation

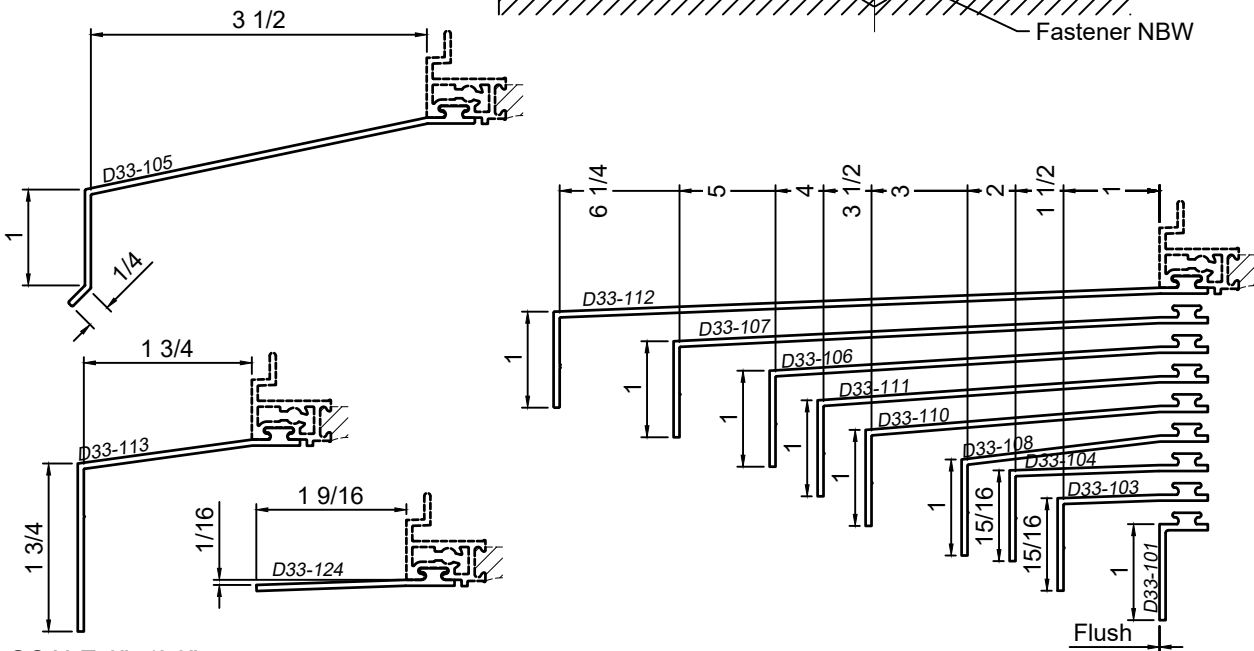


Note: See Winco Installation Instructions for a detailed description of installation notes and procedures.

WINCO RESERVES THE RIGHT TO MODIFY OR CHANGE INFORMATION WITHIN THIS BOOK WHEN DEEMED NECESSARY FOR PRODUCT IMPROVEMENT



© WINCO WINDOW COMPANY, INC. 2026



SCALE 6"=1'-0"

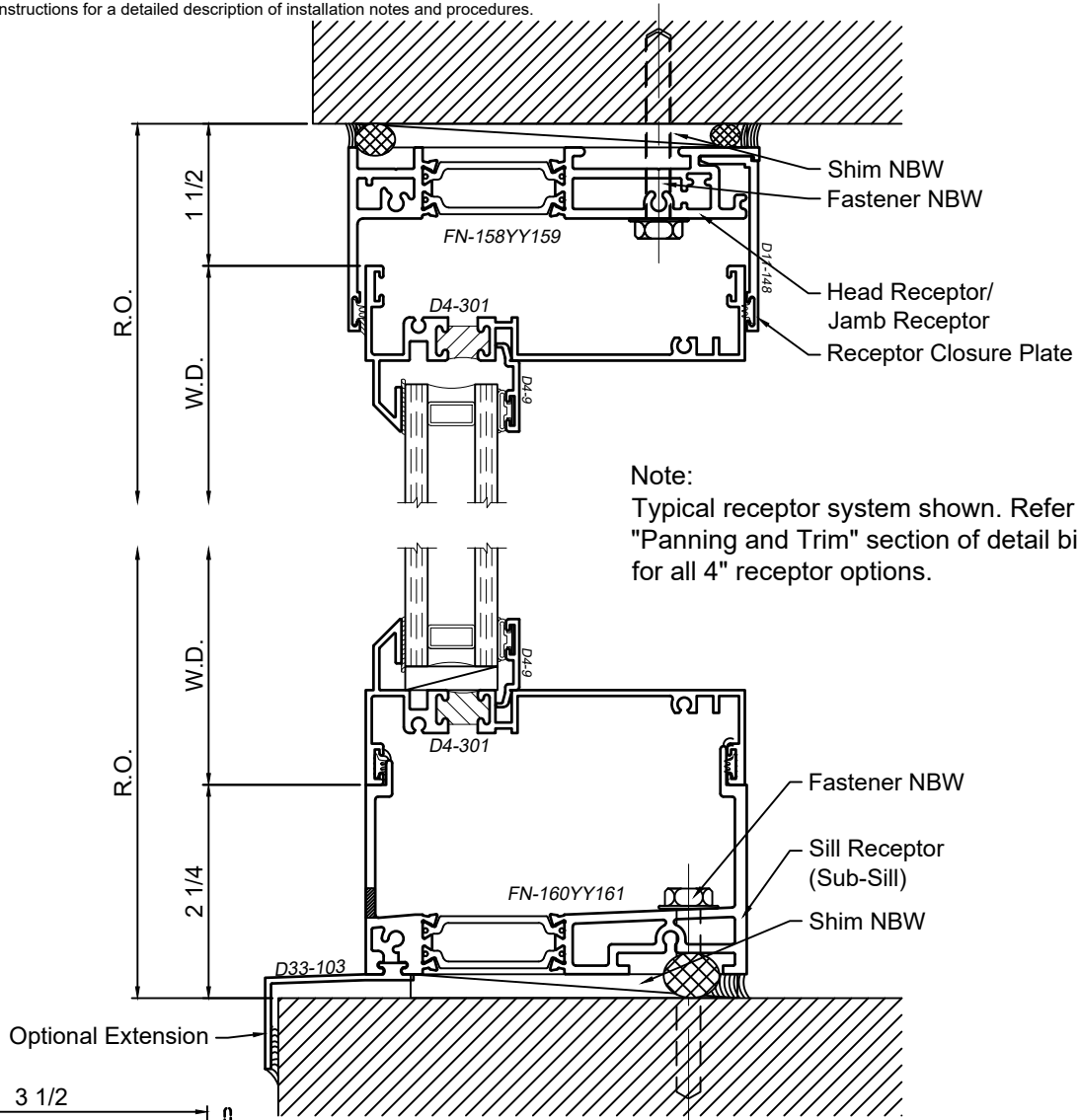
4410S Series 4" Thermal Fixed & Single Hung Windows

Product Details - Trim - Rapid Receptor Installation



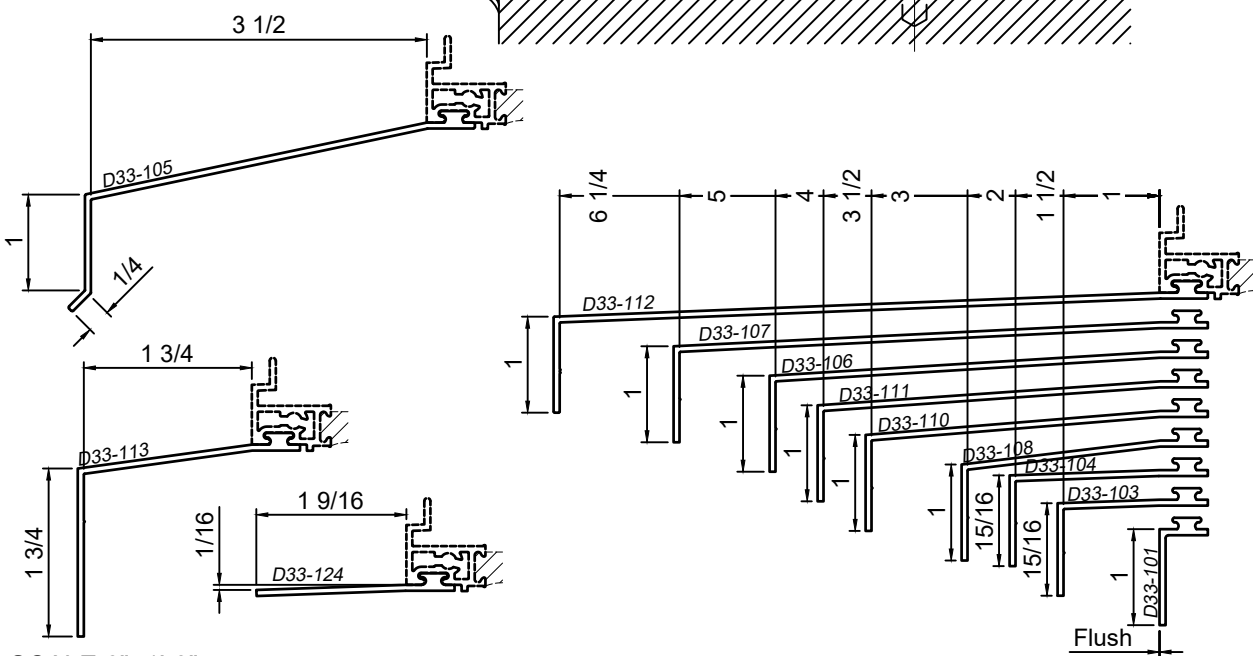
Note: See Winco Installation Instructions for a detailed description of installation notes and procedures.

WINCO RESERVES THE RIGHT TO MODIFY OR CHANGE INFORMATION WITHIN THIS BOOK WHEN DEEMED NECESSARY FOR PRODUCT IMPROVEMENT



Note:
Typical receptor system shown. Refer to "Panning and Trim" section of detail binder for all 4" receptor options.

© WINCO WINDOW COMPANY, INC. 2026



SCALE 6"=1'-0"

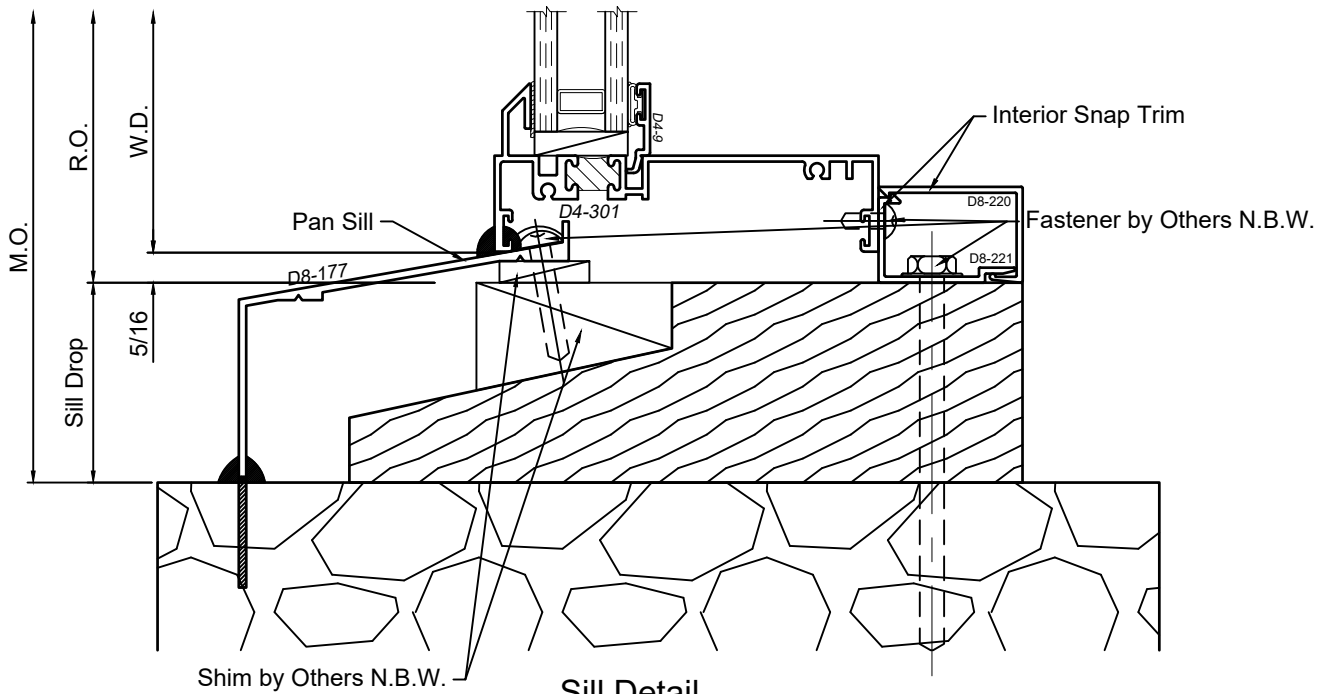
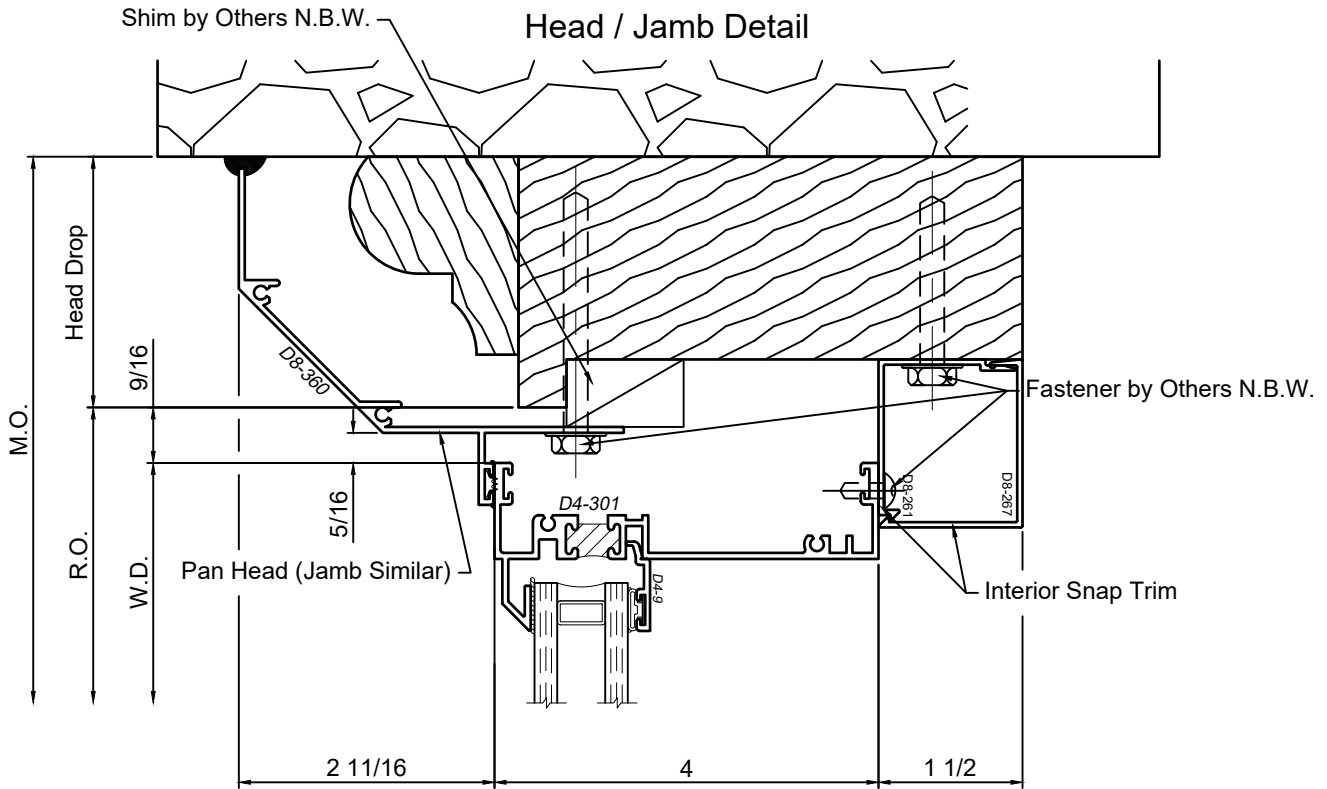
4410S Series 4" Thermal Fixed & Single Hung Windows

Product Details - Trim - Panning Installation



Note: See Winco Installation Instructions for a detailed description of installation notes and procedures.

WINCO RESERVES THE RIGHT TO MODIFY OR CHANGE INFORMATION WITHIN THIS BOOK WHEN DEEMED NECESSARY FOR PRODUCT IMPROVEMENT



Note:
Typical panning system shown. Refer to "Panning and Trim" section of detail binder for all panning and interior snap trim options

SCALE 6"=1'-0"

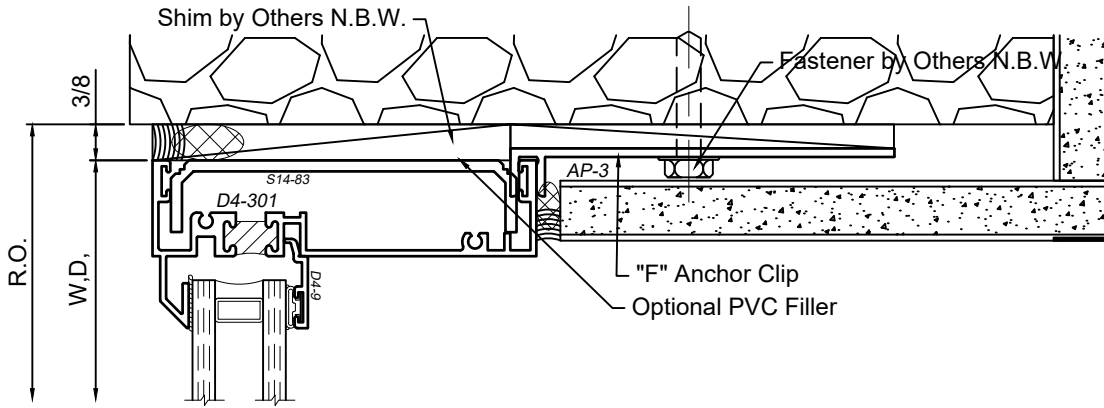
4410S Series 4" Thermal Fixed & Single Hung Windows

Product Details - Trim - F-Anchor and Snap Trim Installation

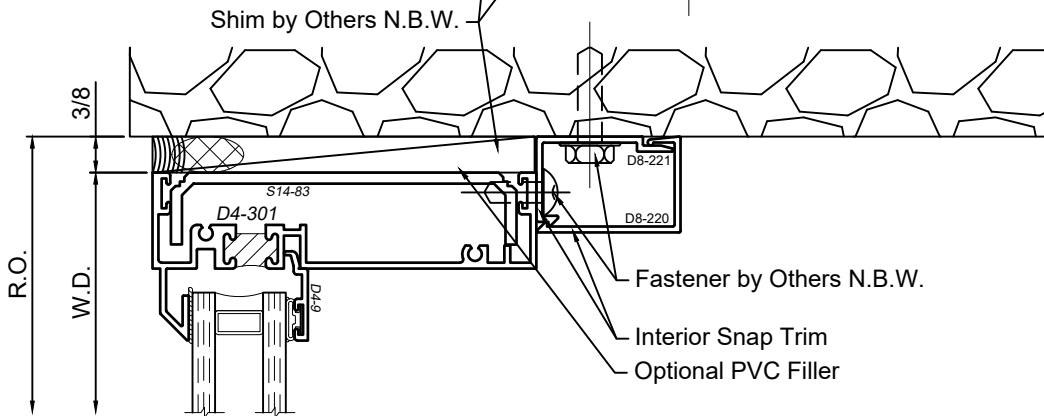
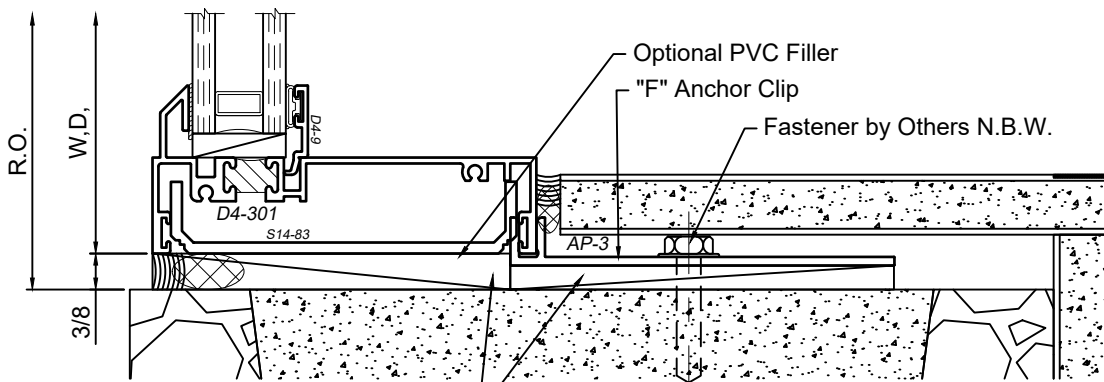


Note: See Winco Installation Instructions for a detailed description of installation notes and procedures.

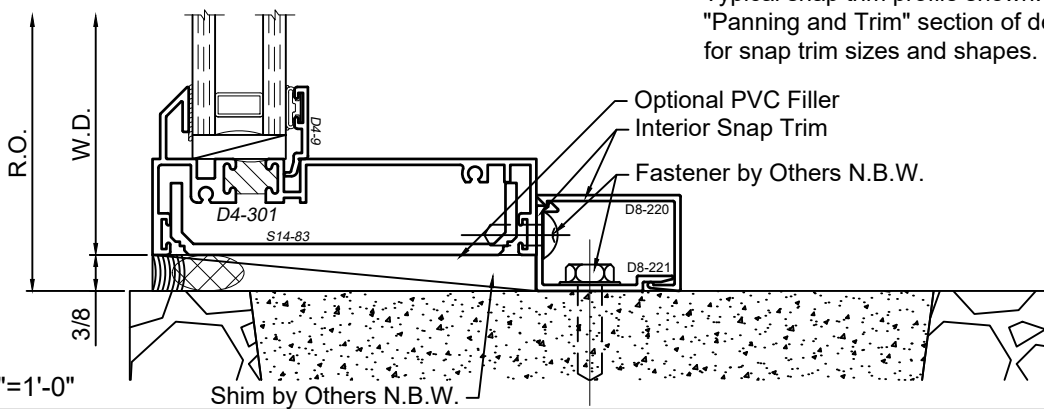
WINCO RESERVES THE RIGHT TO MODIFY OR CHANGE INFORMATION WITHIN THIS BOOK WHEN DEEMED NECESSARY FOR PRODUCT IMPROVEMENT



"F" Clip Installation



Snap Trim Installation



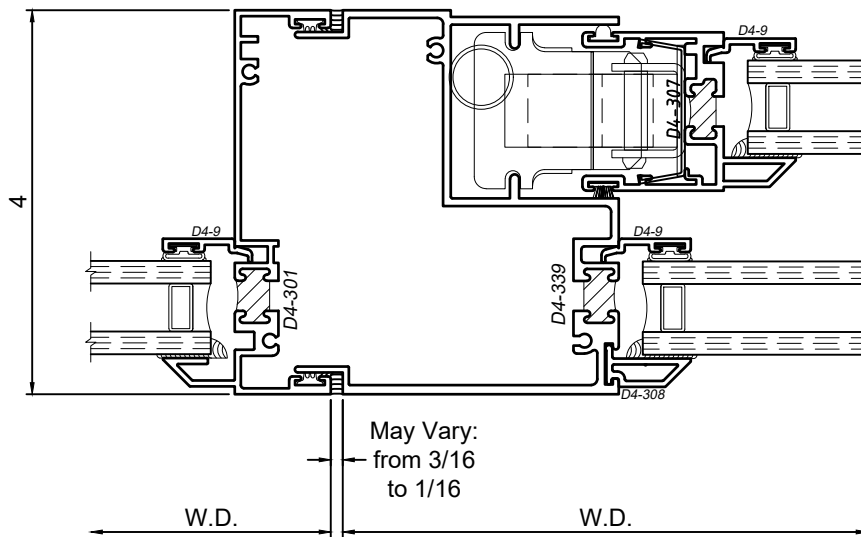
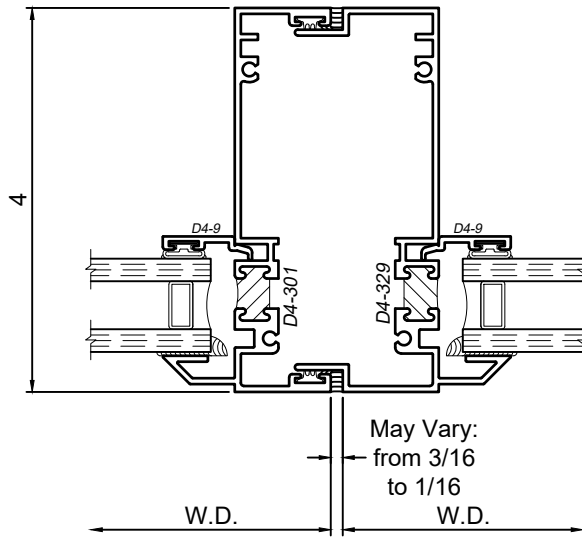
Note:
Typical snap trim profile shown. Refer to
"Panning and Trim" section of detail binder
for snap trim sizes and shapes.

SCALE 6"=1'-0"

Shim by Others N.B.W.

Typical Side Stack Framing

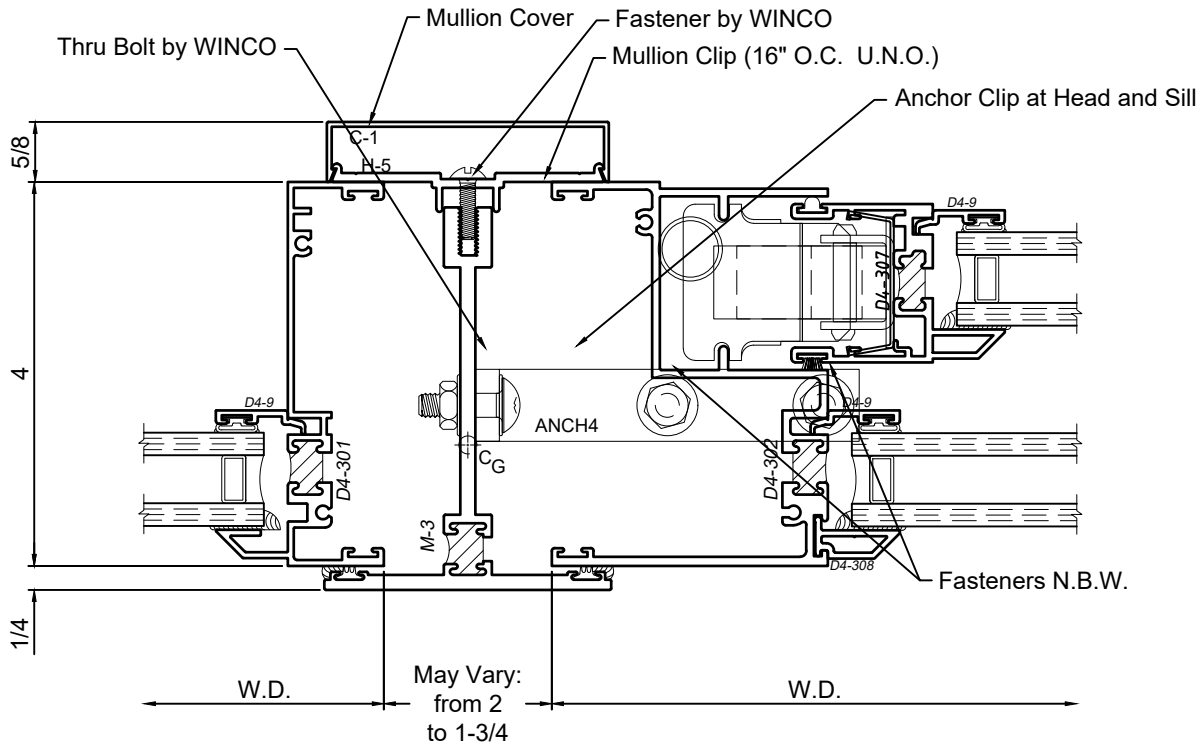
WINCO RESERVES THE RIGHT TO MODIFY OR CHANGE INFORMATION WITHIN THIS BOOK WHEN DEEMED NECESSARY FOR PRODUCT IMPROVEMENT



© WINCO WINDOW COMPANY, INC. 2026

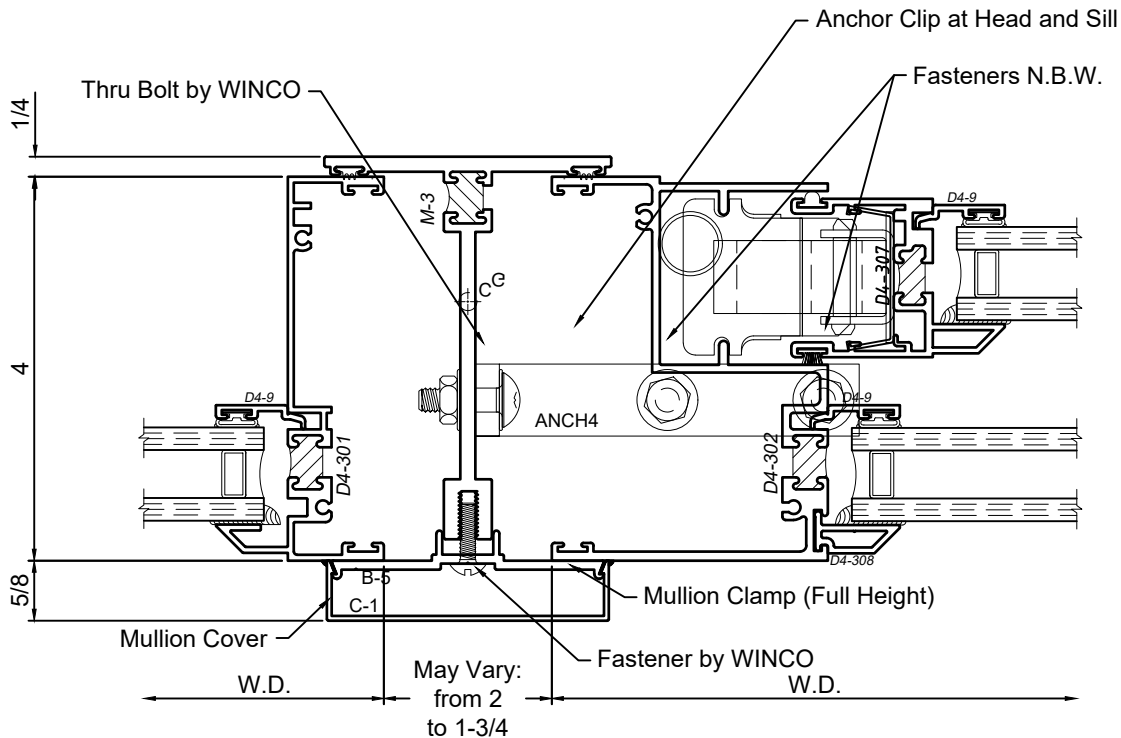
SCALE 6"=1'-0"

M-3 Mullion set from Building Interior



WINCO RESERVES THE RIGHT TO MODIFY OR CHANGE INFORMATION WITHIN THIS BOOK WHEN DEEMED NECESSARY FOR PRODUCT IMPROVEMENT

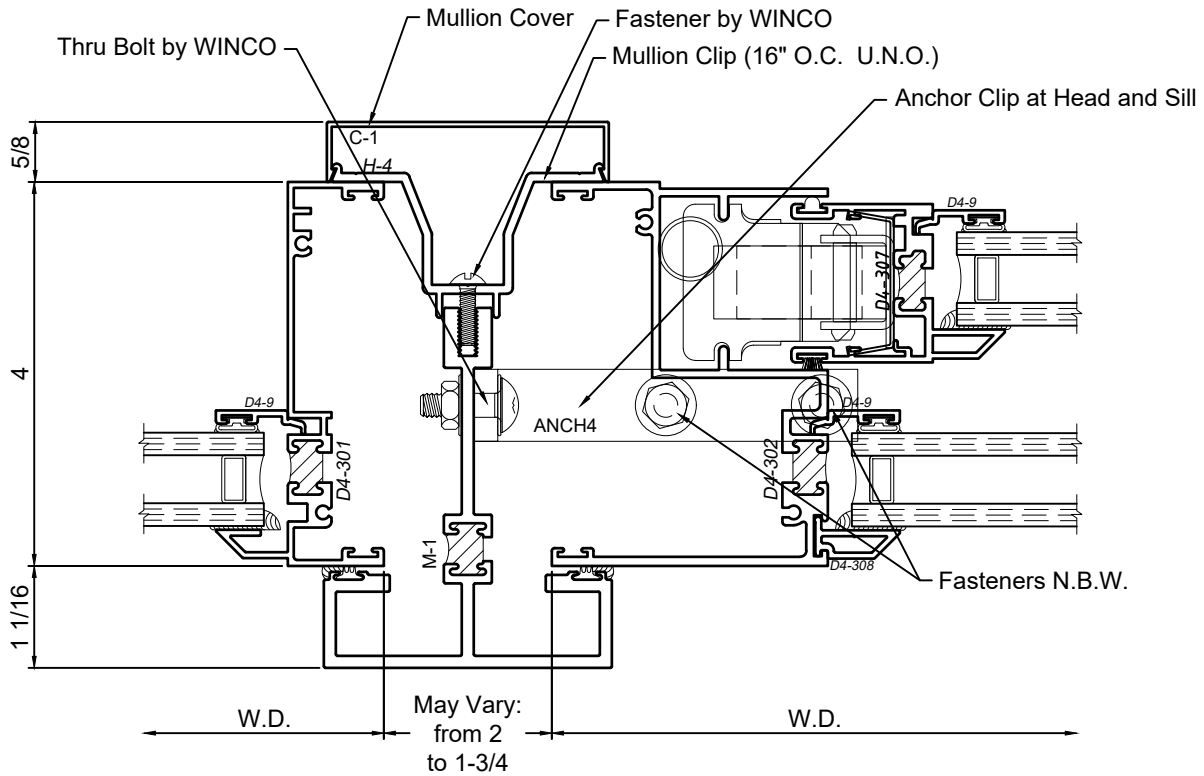
M-3 Mullion set from Building Exterior



© WINCO WINDOW COMPANY, INC. 2026

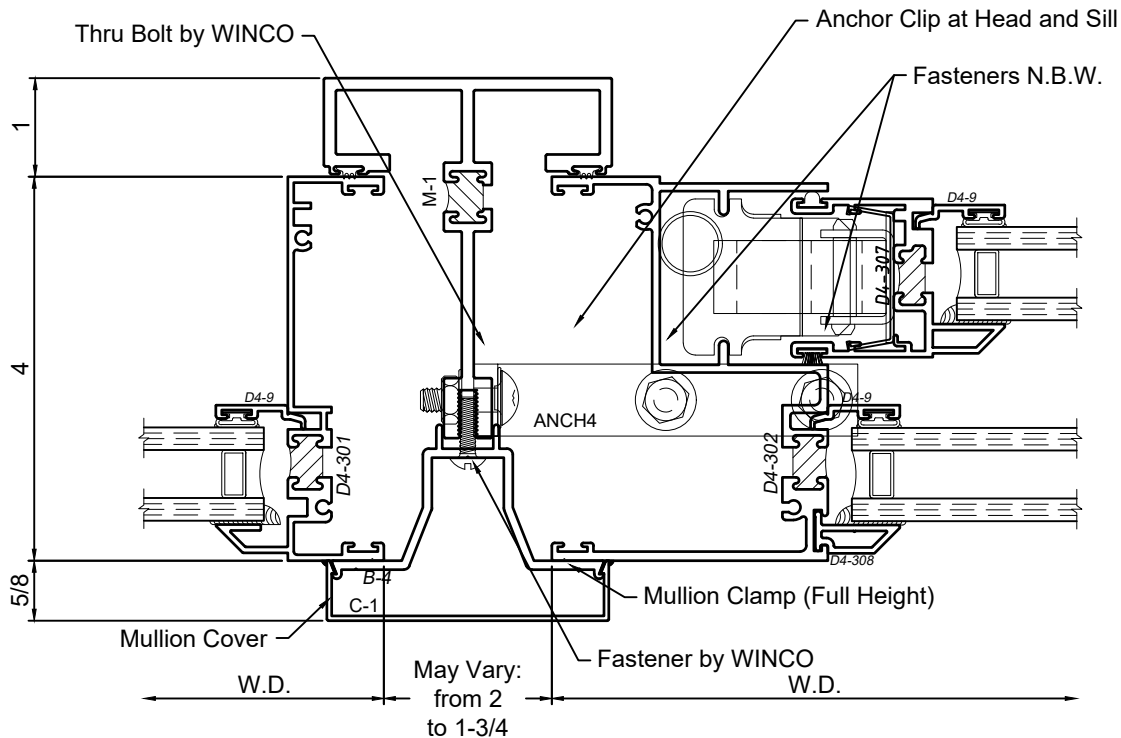
SCALE 6"=1'-0"

M-1 Mullion set from Building Interior



WINCO RESERVES THE RIGHT TO MODIFY OR CHANGE INFORMATION WITHIN THIS BOOK WHEN DEEMED NECESSARY FOR PRODUCT IMPROVEMENT

M-1 Mullion set from Building Exterior



© WINCO WINDOW COMPANY, INC. 2026

SCALE 6"=1'-0"

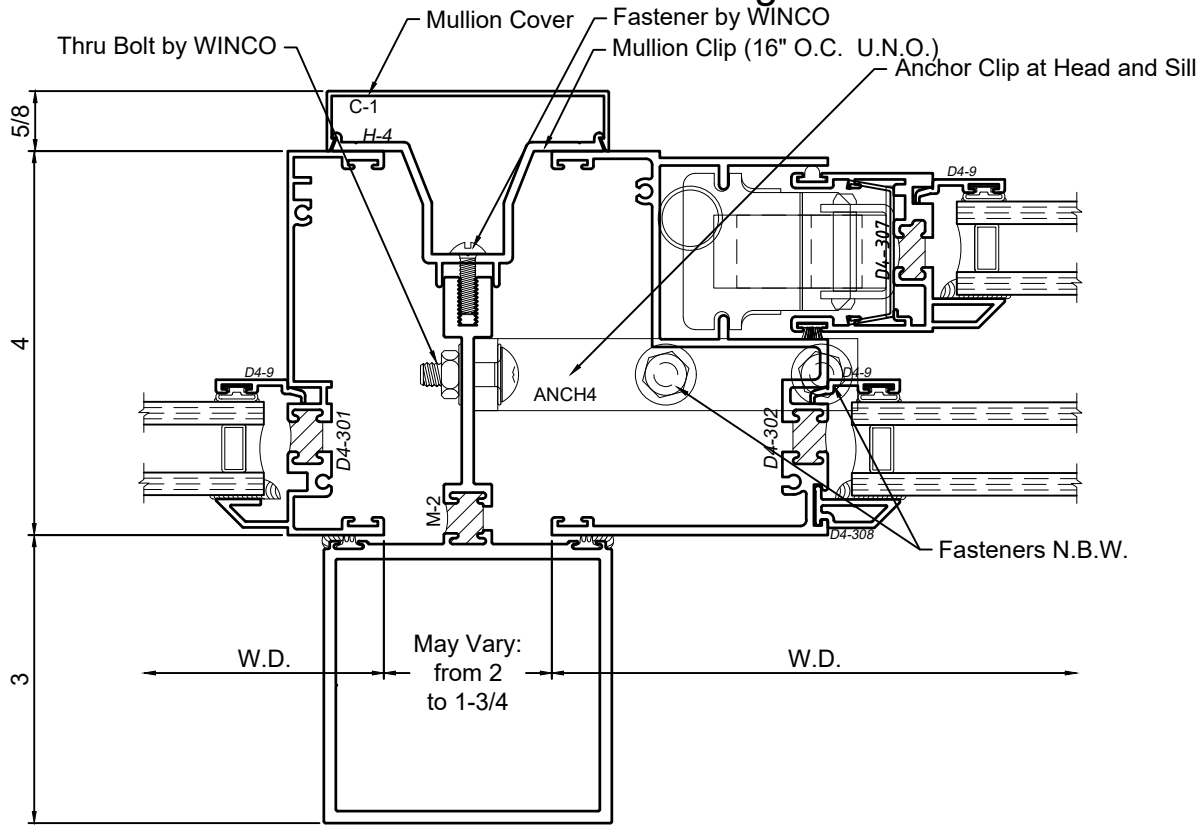
4410S Series 4" Thermal Fixed & Single Hung Windows

Product Details - Trim - Mullion

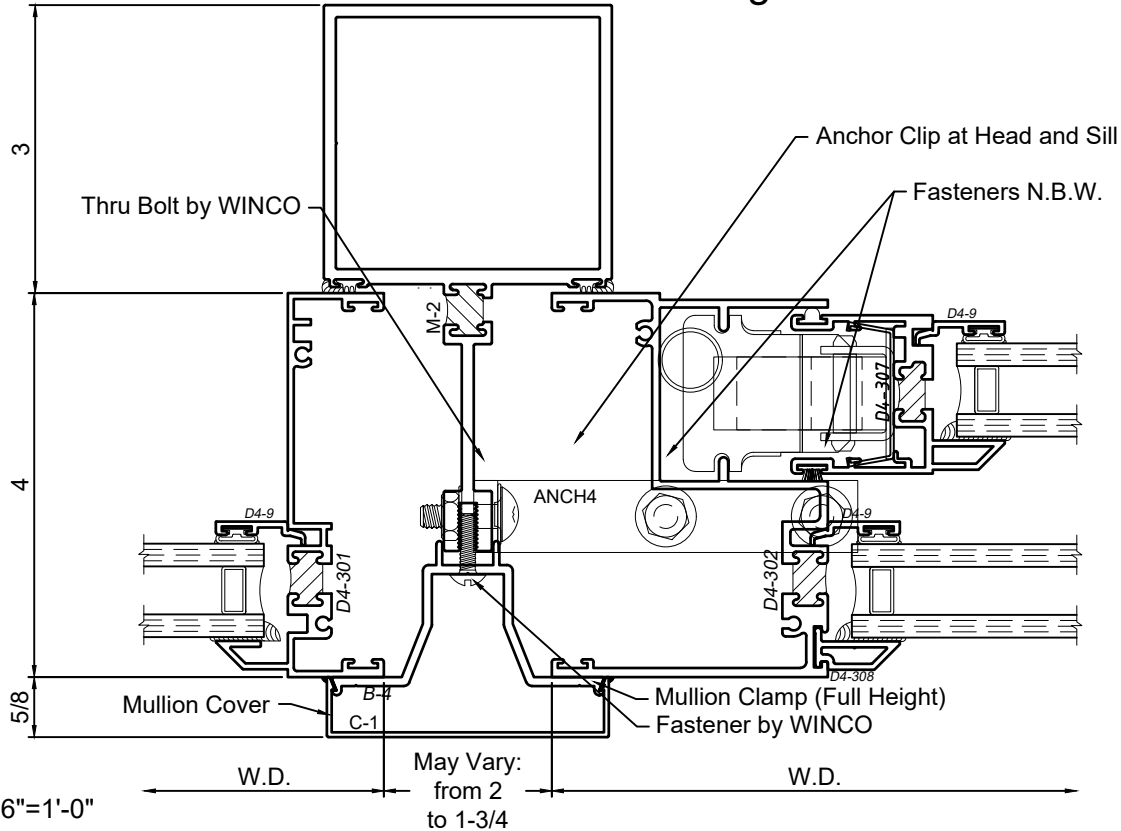


WINCO RESERVES THE RIGHT TO MODIFY OR CHANGE INFORMATION WITHIN THIS BOOK WHEN DEEMED NECESSARY FOR PRODUCT IMPROVEMENT

M-2 Mullion set from Building Interior



M-2 Mullion set from Building Exterior



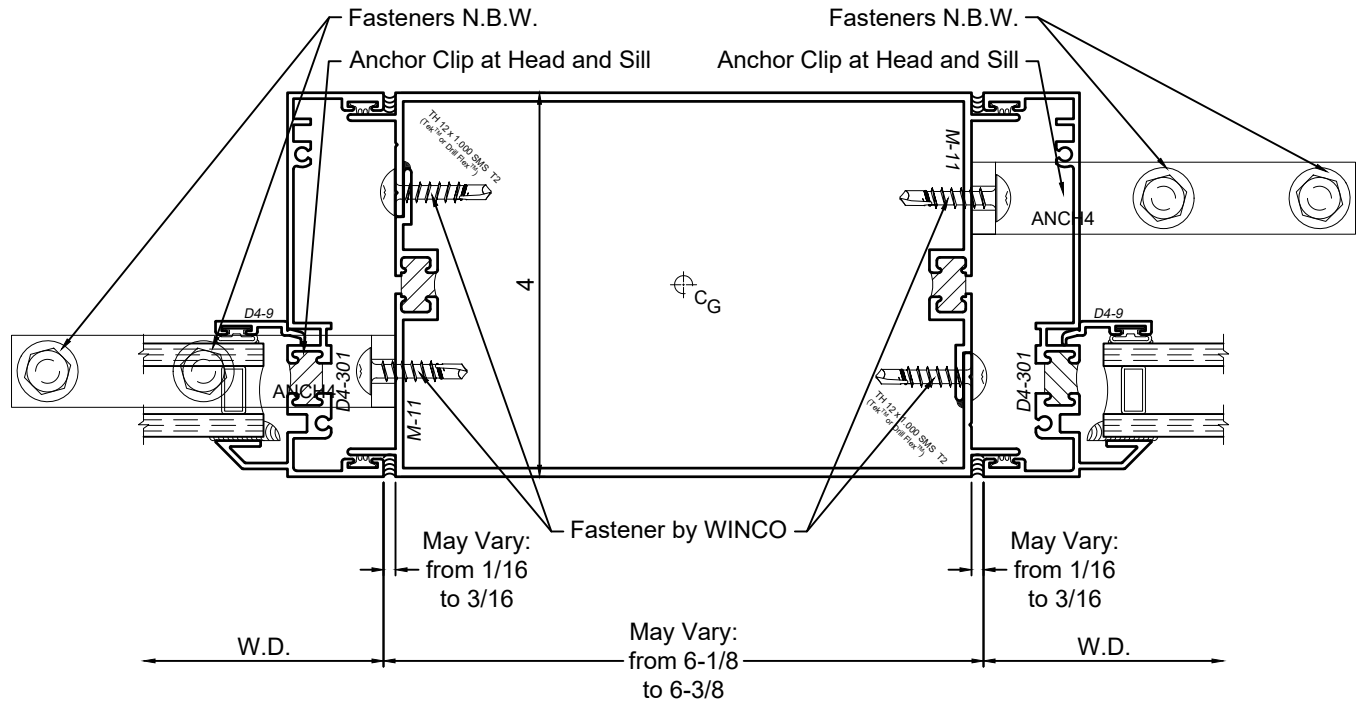
SCALE 6"=1'-0"

© WINCO WINDOW COMPANY, INC. 2026

M-11 Mullion

Recommended usage only with Jamb Receptor for installation clearances

WINCO RESERVES THE RIGHT TO MODIFY OR CHANGE INFORMATION WITHIN THIS BOOK WHEN DEEMED NECESSARY FOR PRODUCT IMPROVEMENT



© WINCO WINDOW COMPANY, INC. 2026

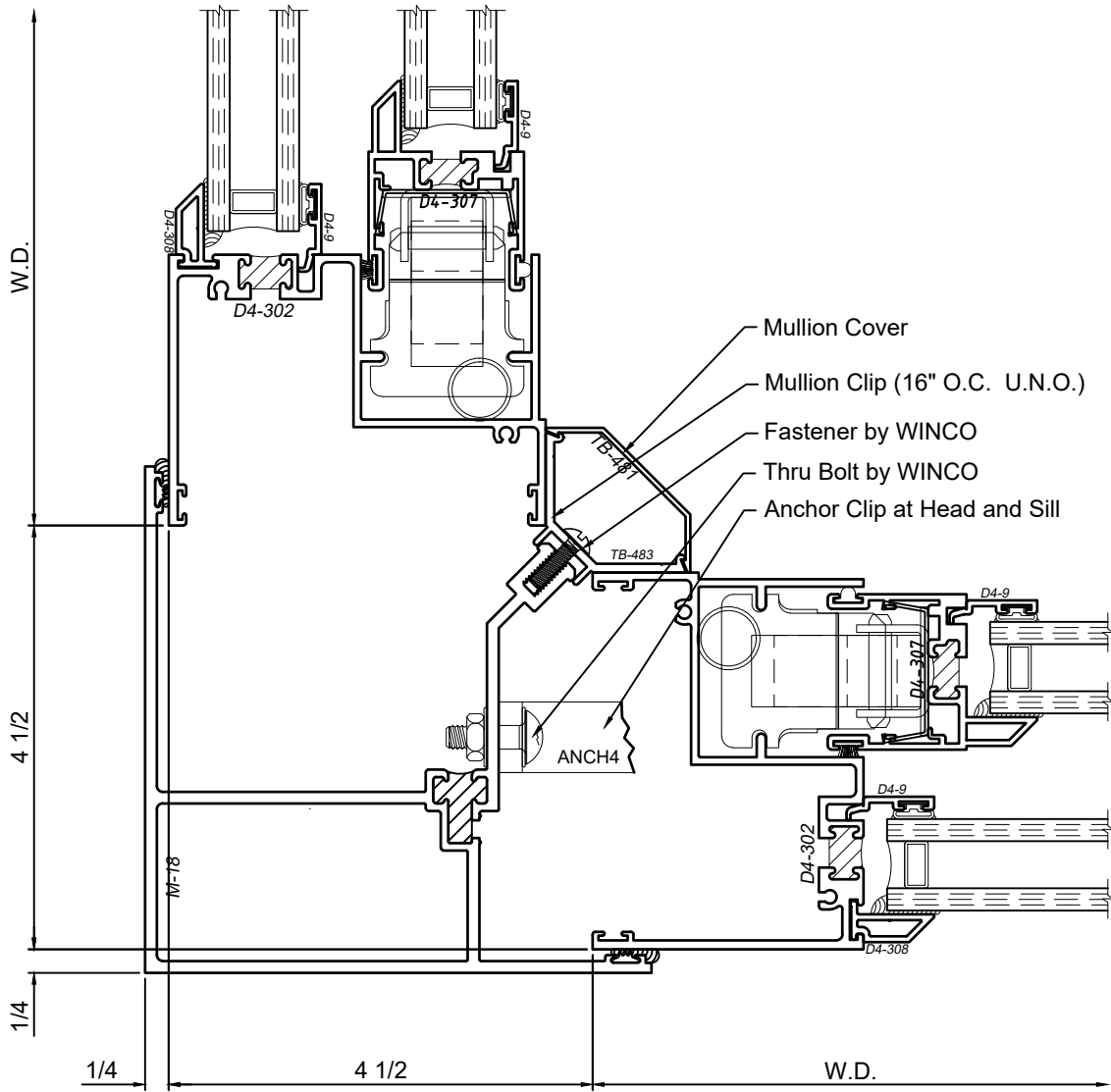
SCALE 6"=1'-0"

4410S Series 4" Thermal Fixed & Single Hung Windows

Product Details - Trim - Mullion



WINCO RESERVES THE RIGHT TO MODIFY OR CHANGE INFORMATION WITHIN THIS BOOK WHEN DEEMED NECESSARY FOR PRODUCT IMPROVEMENT



© WINCO WINDOW COMPANY, INC. 2026

SCALE 6"=1'-0"