

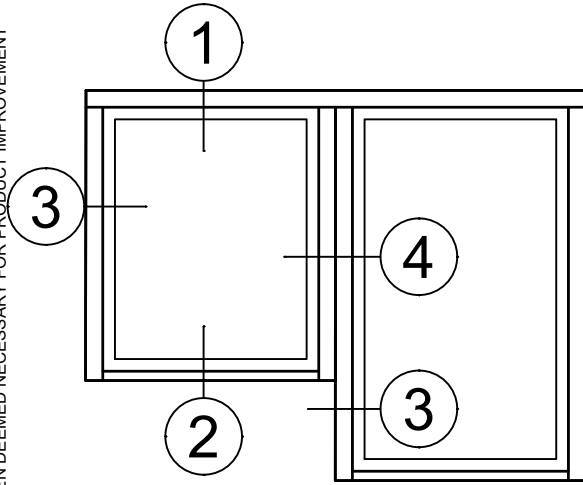
Receptor Sections - 4500S Series

Product Details - Head / Jamb Receptors and Sub-Sills

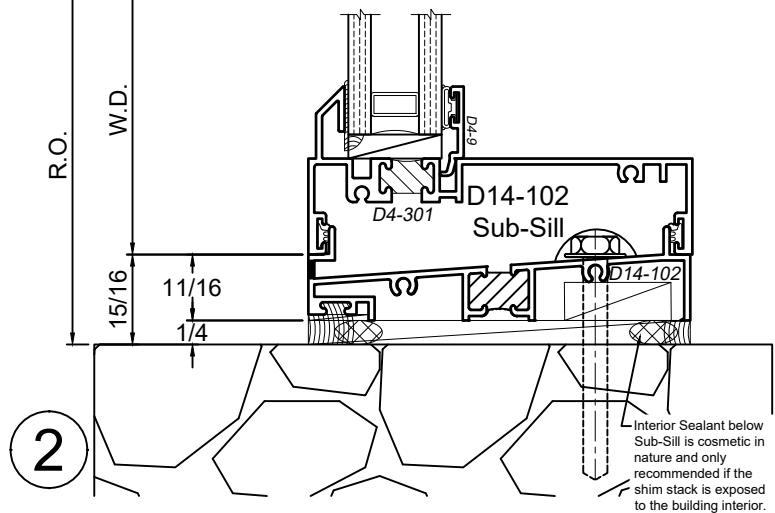
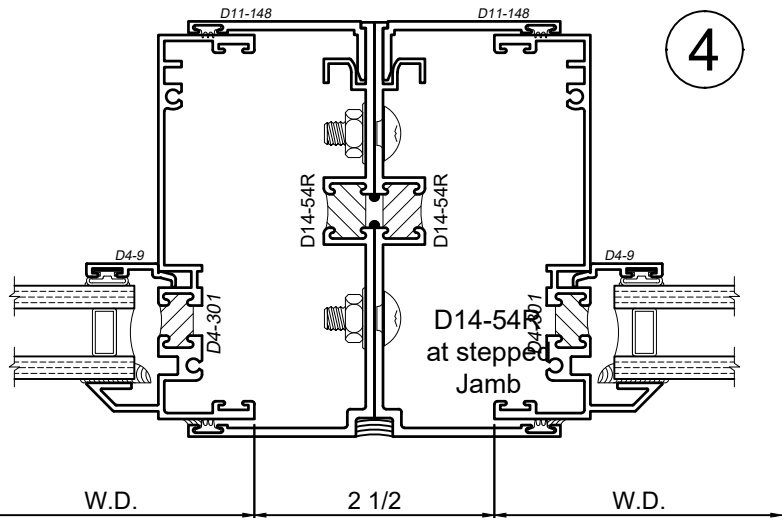
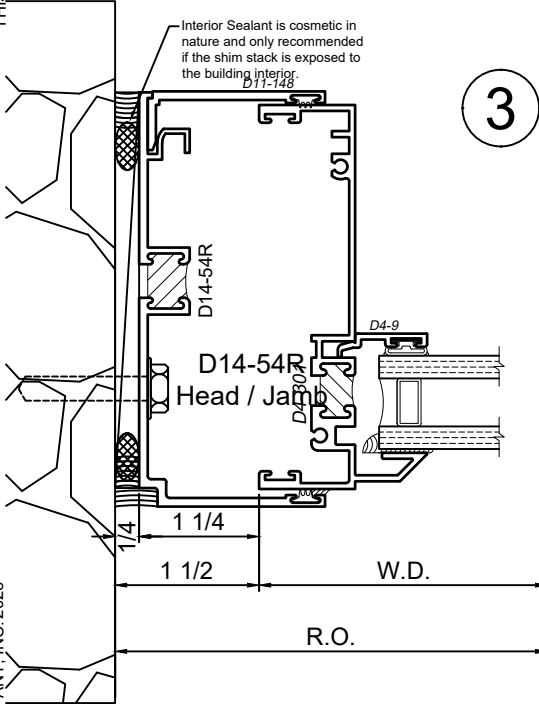
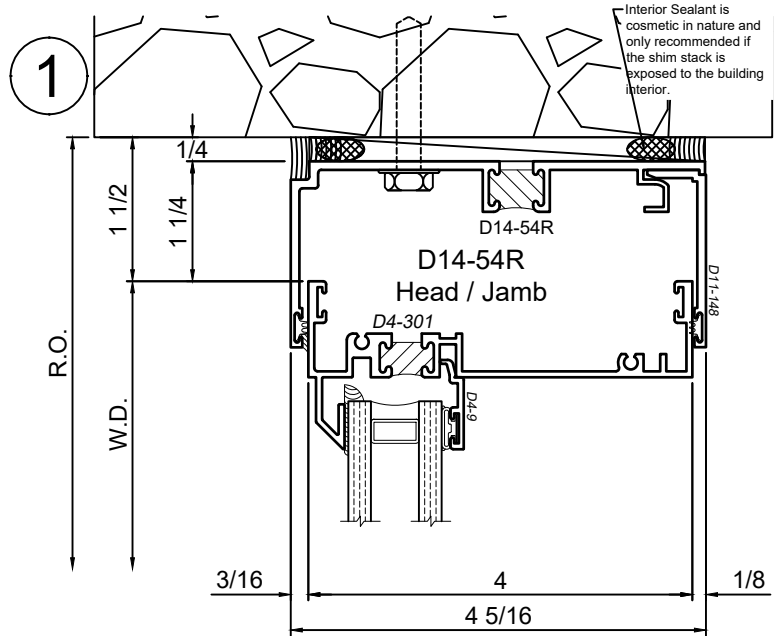


Note: Trim shown is a sampling of WINCO's offering. Not all shapes are held in stock and minimum quantity order may be required. Consult your local WINCO sales representative for other trims available. It is WINCO's recommendation to install all trim and materials per WINCO's installation instructions.

WINCO RESERVES THE RIGHT TO MODIFY OR CHANGE INFORMATION WITHIN THIS BOOK WHEN DEEMED NECESSARY FOR PRODUCT IMPROVEMENT



See 1450 / 1450S / 3410 / 4410 / 4410S / 4500 / 4500S Window Section(s) for possible window frame configurations.



SCALE 6"=1'-0"

© WINCO WINDOW COMPANY, INC. 2026

Receptor Sections - 4500S Series

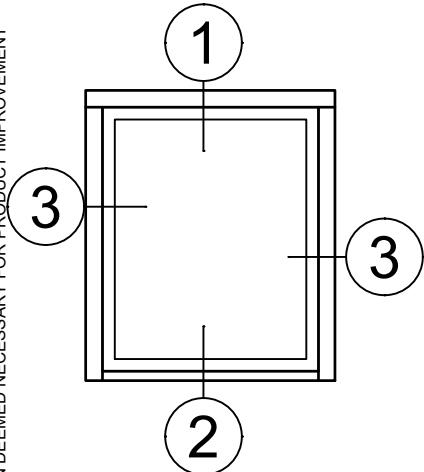
Product Details - Rapid Receptor Head / Jamb & Sub-Sill



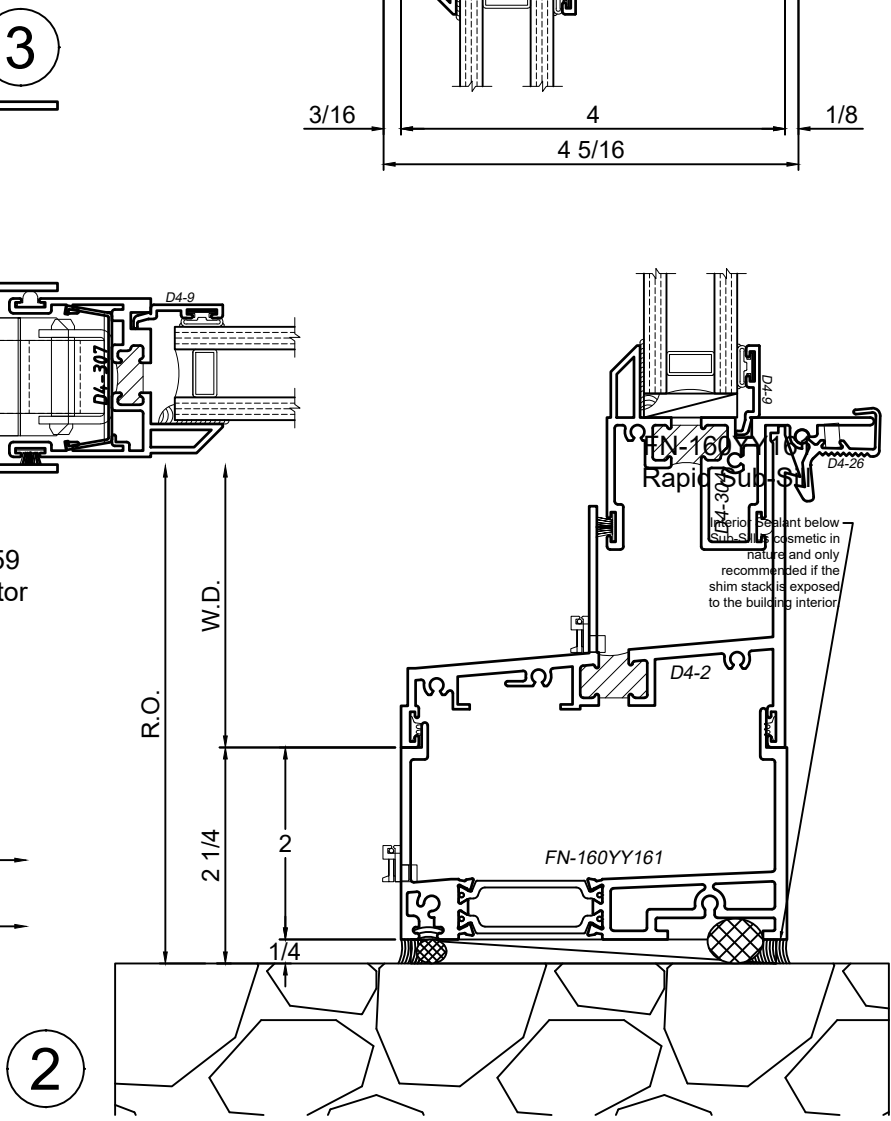
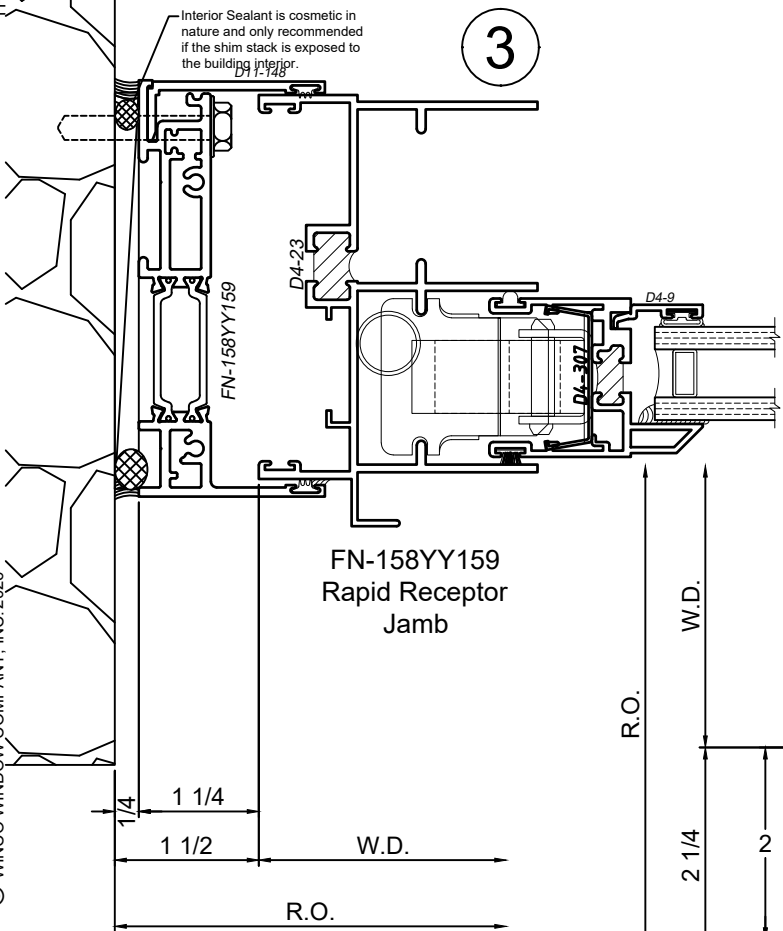
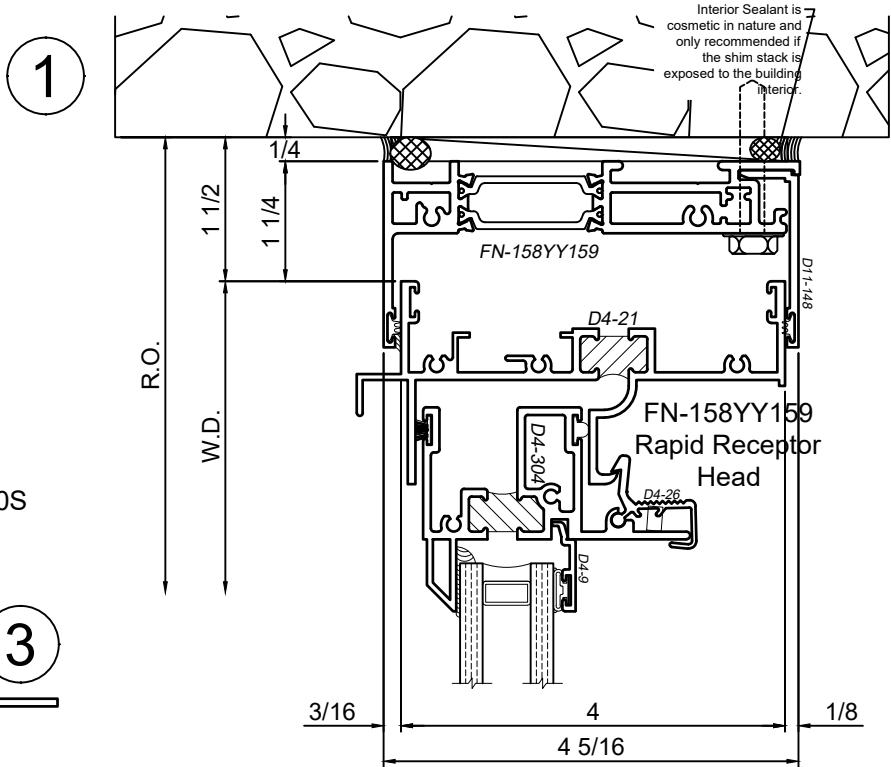
Note: Trim shown is a sampling of WINCO's offering. Not all shapes are held in stock and minimum quantity order may be required. Consult your local WINCO sales representative for other trims available. It is WINCO's recommendation to install all trim and materials per WINCO's installation instructions.

WINCO RESERVES THE RIGHT TO MODIFY OR CHANGE INFORMATION WITHIN THIS BOOK WHEN DEEMED NECESSARY FOR PRODUCT IMPROVEMENT

© WINCO WINDOW COMPANY, INC. 2026



See 1450 / 1450S / 3410 / 4410 / 4410S / 4500 / 4500S Window Section(s) for possible window frame configurations.



SCALE 6"=1'-0"

Receptor Sections - 4500S Series

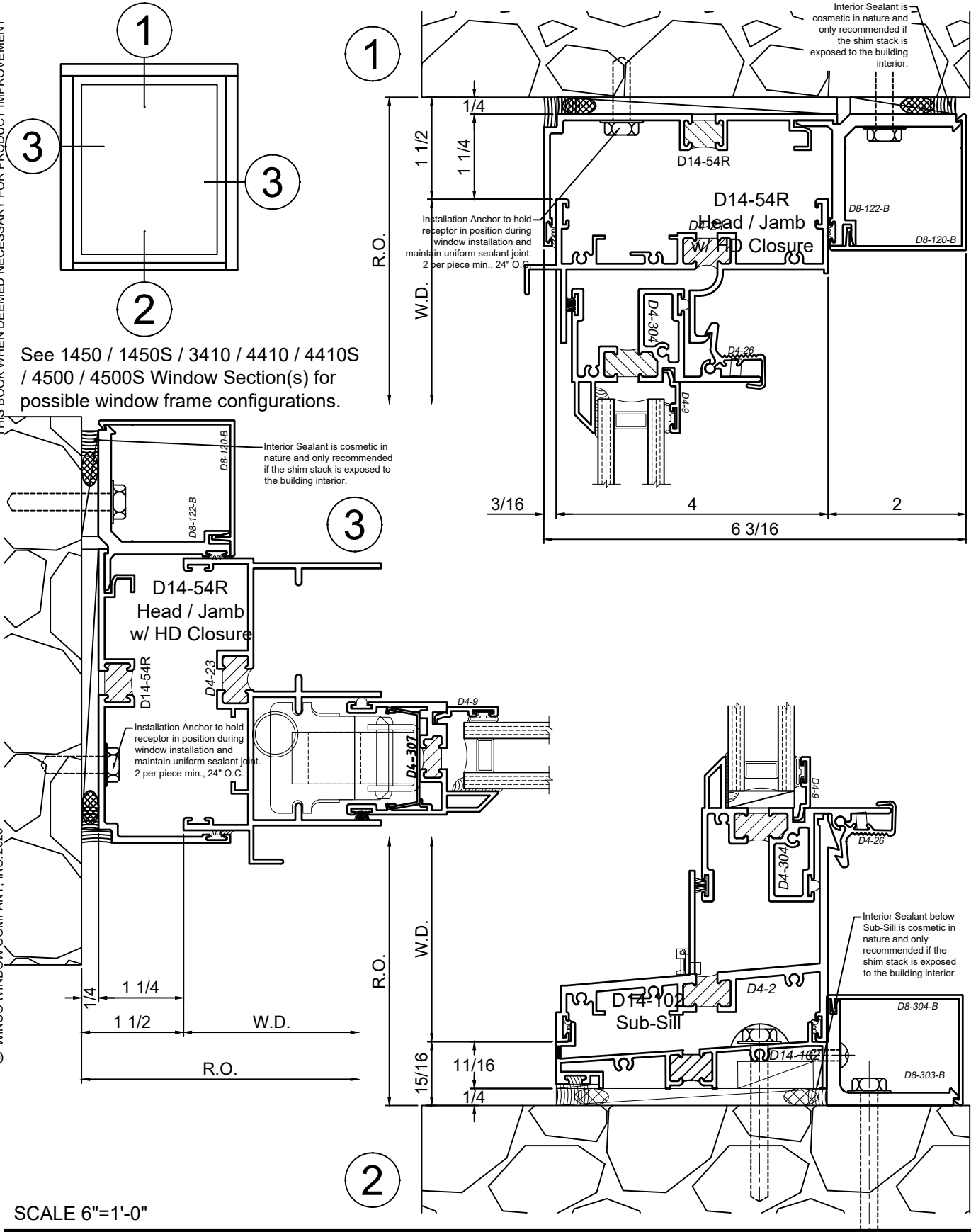
Product Details - Head / Jamb Receptors and Sub-Sills



Note: Trim shown is a sampling of WINCO's offering. Not all shapes are held in stock and minimum quantity order may be required. Consult your local WINCO sales representative for other trims available. It is WINCO's recommendation to install all trim and materials per WINCO's installation instructions.

WINCO RESERVES THE RIGHT TO MODIFY OR CHANGE INFORMATION WITHIN THIS BOOK WHEN DEEMED NECESSARY FOR PRODUCT IMPROVEMENT

© WINCO WINDOW COMPANY, INC. 2026



SCALE 6"=1'-0"

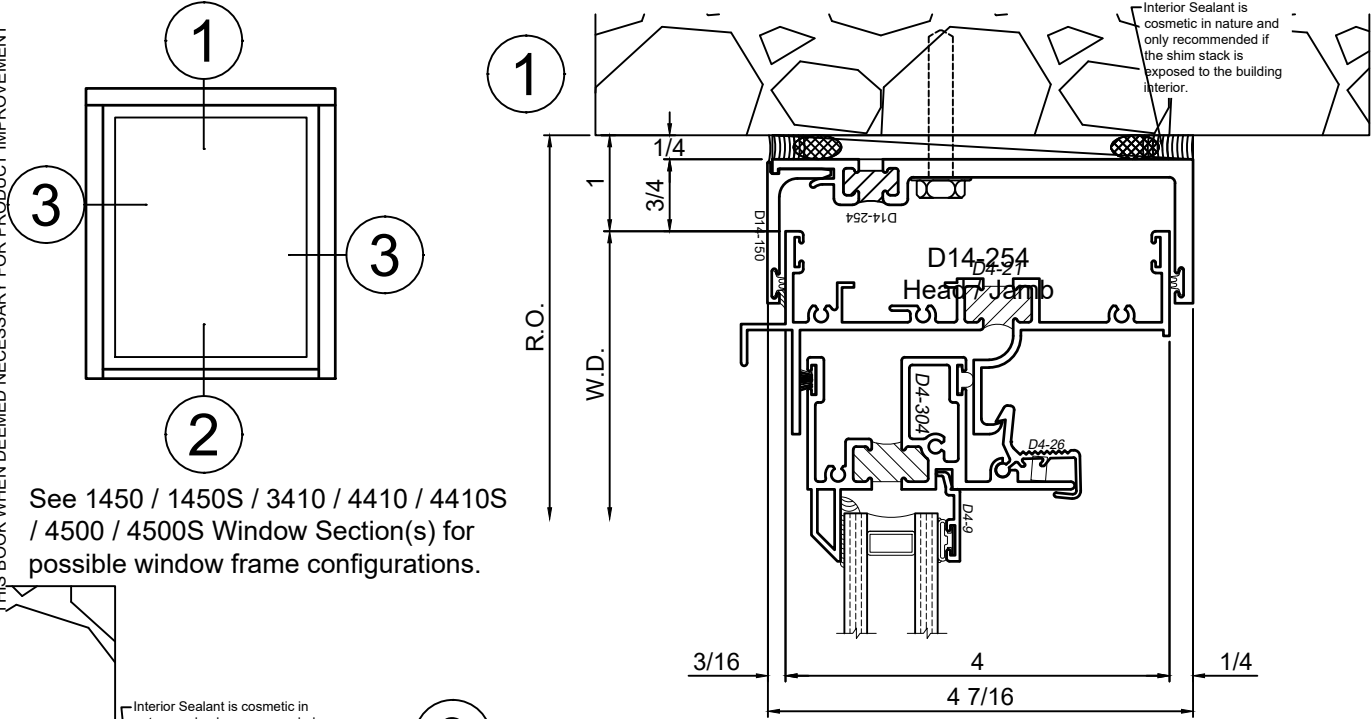
Receptor Sections - 4500S Series

Product Details - Head / Jamb Receptors and Sub-Sills

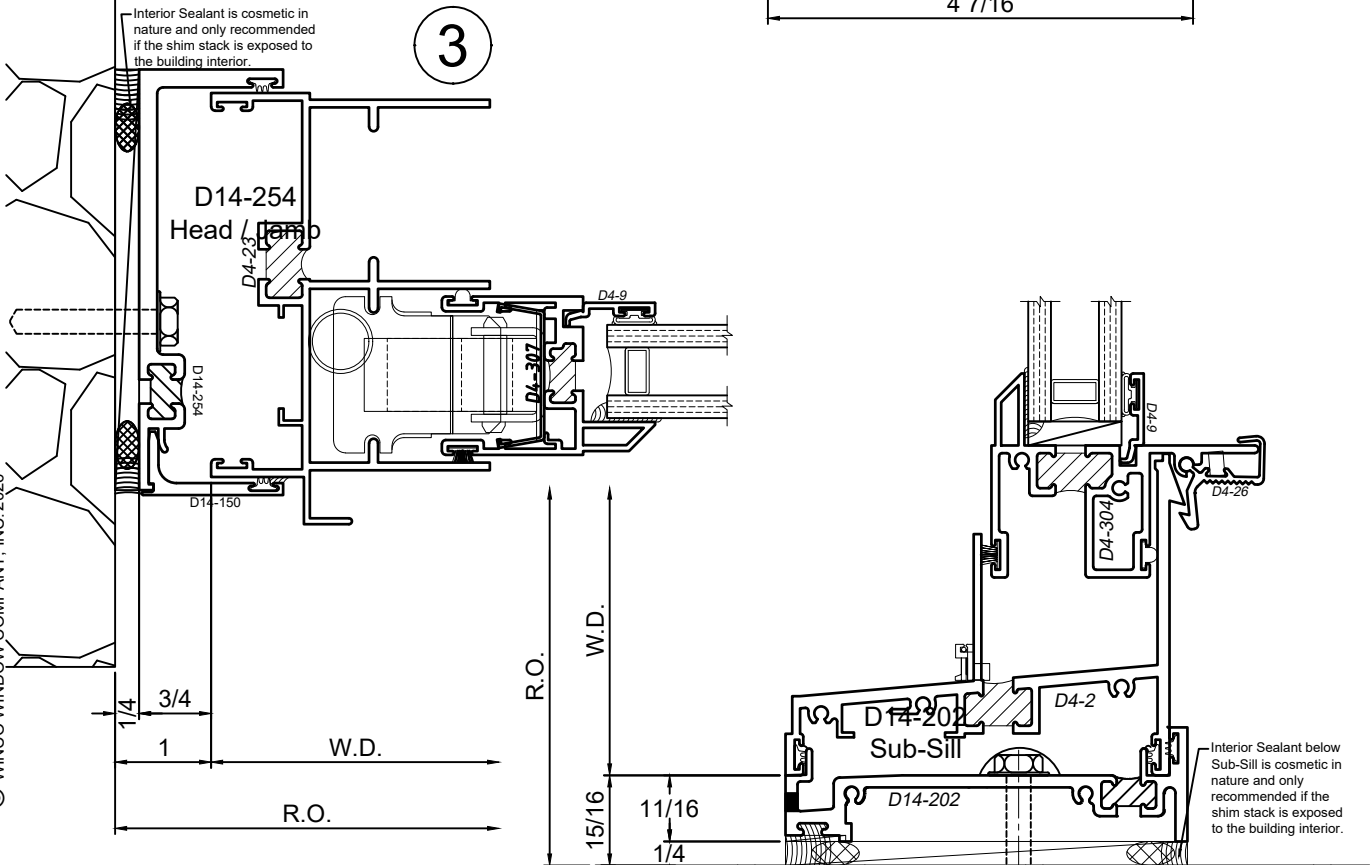


Note: Trim shown is a sampling of WINCO's offering. Not all shapes are held in stock and minimum quantity order may be required. Consult your local WINCO sales representative for other trims available. It is WINCO's recommendation to install all trim and materials per WINCO's installation instructions.

WINCO RESERVES THE RIGHT TO MODIFY OR CHANGE INFORMATION WITHIN THIS BOOK WHEN DEEMED NECESSARY FOR PRODUCT IMPROVEMENT



See 1450 / 1450S / 3410 / 4410 / 4410S / 4500 / 4500S Window Section(s) for possible window frame configurations.



SCALE 6"=1'-0"

Receptor Sections - 4500S Series

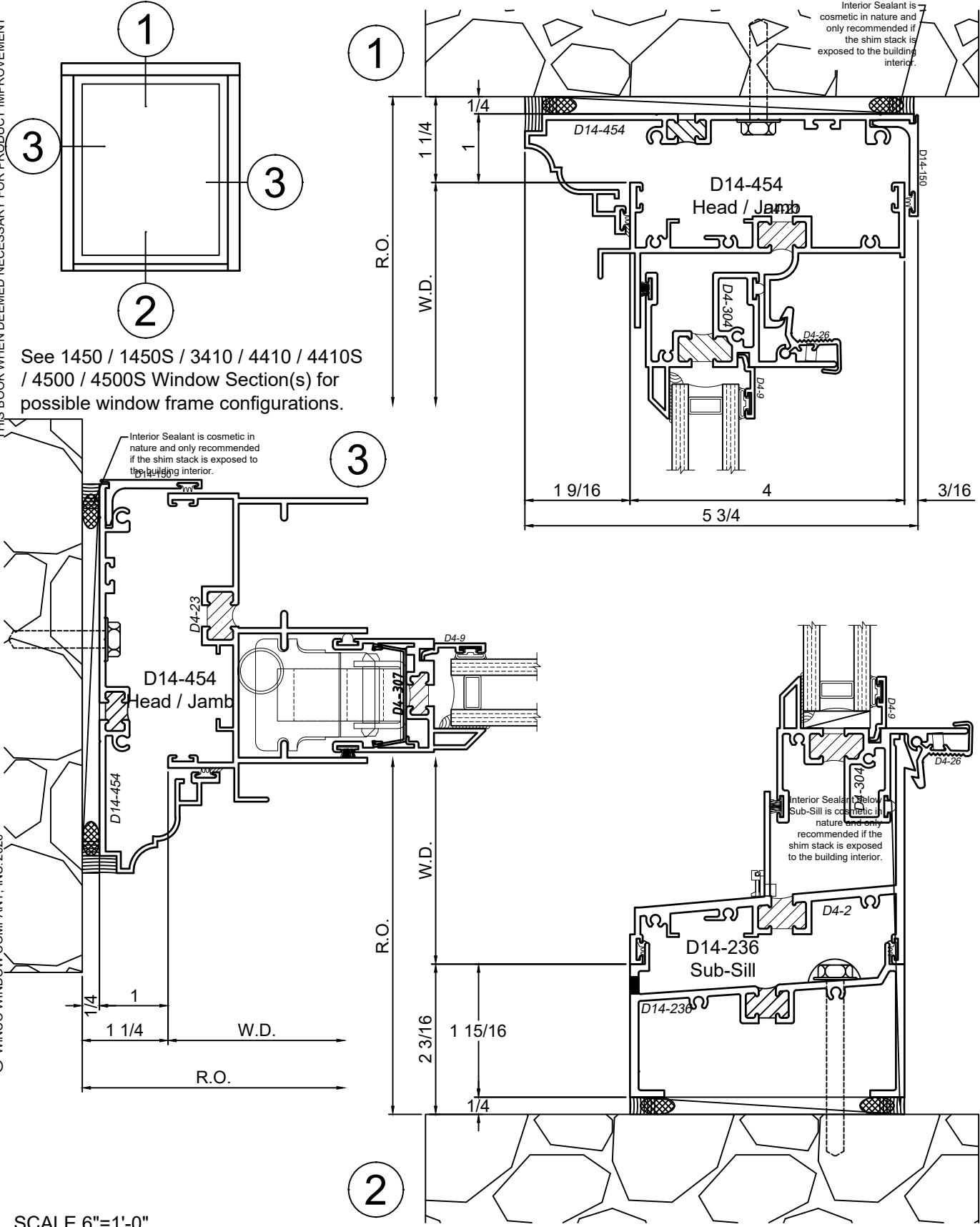
Product Details - Head / Jamb Receptors and Sub-Sills



Note: Trim shown is a sampling of WINCO's offering. Not all shapes are held in stock and minimum quantity order may be required. Consult your local WINCO sales representative for other trims available. It is WINCO's recommendation to install all trim and materials per WINCO's installation instructions.

WINCO RESERVES THE RIGHT TO MODIFY OR CHANGE INFORMATION WITHIN THIS BOOK WHEN DEEMED NECESSARY FOR PRODUCT IMPROVEMENT

© WINCO WINDOW COMPANY, INC. 2026



SCALE 6"=1'-0"

Receptor Sections - 4500S Series

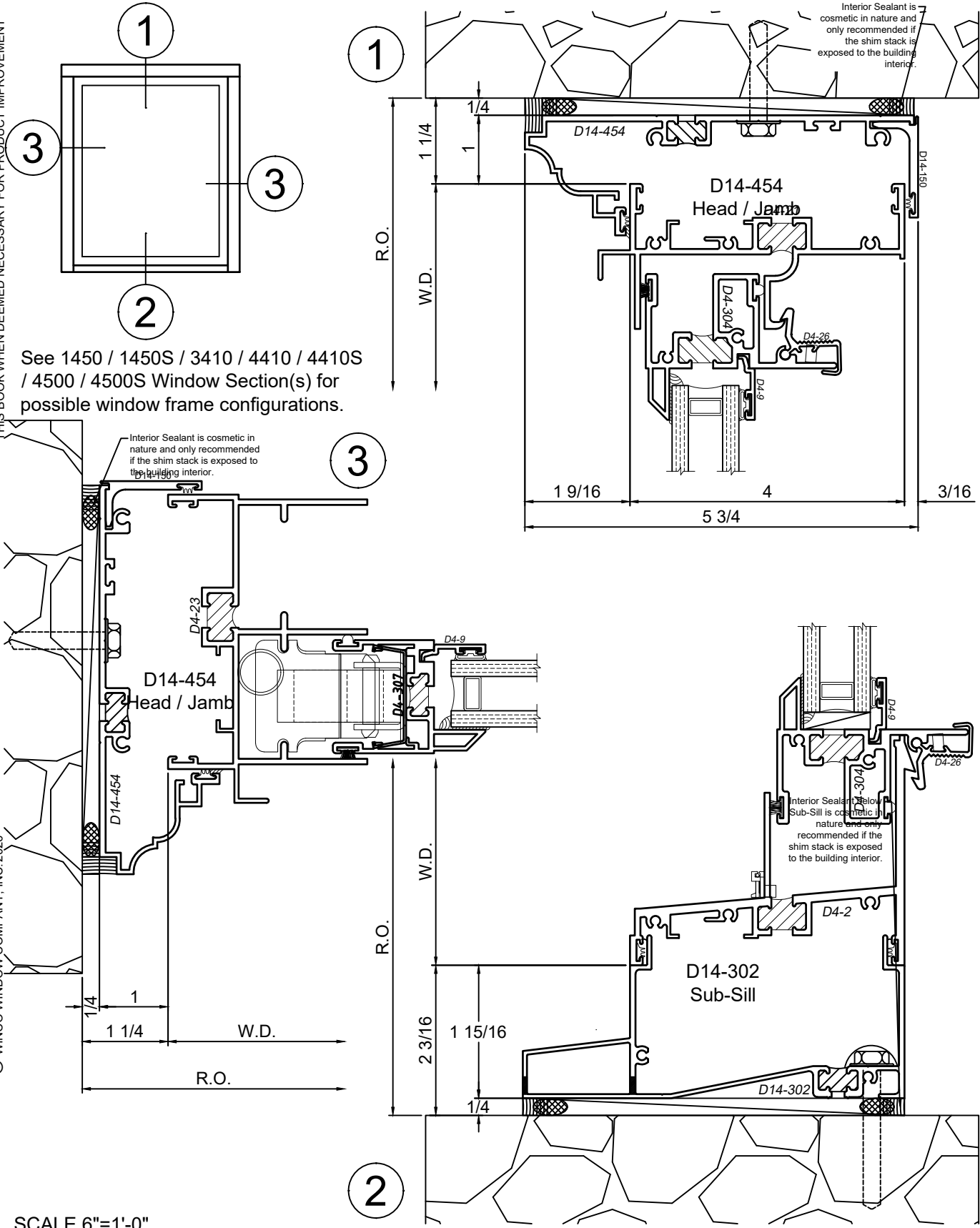
Product Details - Head / Jamb Receptors and Sub-Sills



Note: Trim shown is a sampling of WINCO's offering. Not all shapes are held in stock and minimum quantity order may be required. Consult your local WINCO sales representative for other trims available. It is WINCO's recommendation to install all trim and materials per WINCO's installation instructions.

WINCO RESERVES THE RIGHT TO MODIFY OR CHANGE INFORMATION WITHIN THIS BOOK WHEN DEEMED NECESSARY FOR PRODUCT IMPROVEMENT

© WINCO WINDOW COMPANY, INC. 2026



See 1450 / 1450S / 3410 / 4410 / 4410S / 4500 / 4500S Window Section(s) for possible window frame configurations.

SCALE 6"=1'-0"