

8800 Series 4" Thermal Fixed Human Impact Windows

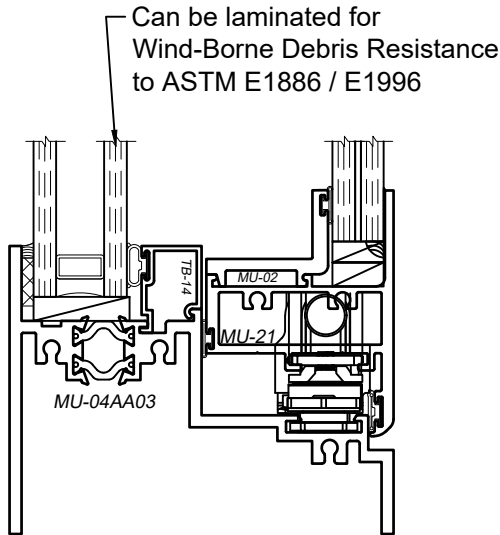
Product Information - Glazing



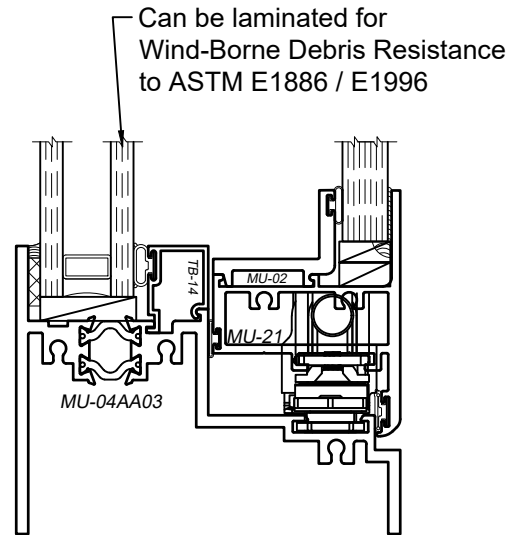
GLAZING

The windows is interior tripple glazed with .050 thick extruded aluminum glazing beads accommodating for the exterior I.G. of 1". Venetian blinds are available. See the quick reference chart below for all glazing options. For actual details refer to the glazing section in the back of the 8800 section for optional glazing and blind details.

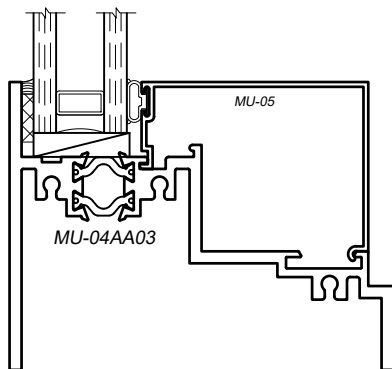
WINCO RESERVES THE RIGHT TO MODIFY OR CHANGE INFORMATION WITHIN THIS BOOK WHEN DEEMED NECESSARY FOR PRODUCT IMPROVEMENT



1" Glazing Bead
TB-14
9/16" Laminate in Impact
Sash



1" Glazing Bead
TB-14
1/2" Polycarbonate in
Impact Sash



1" Glazing Bead
MU-05
(Not for Human Impact
Applications)

© WINCO WINDOW COMPANY, INC. 2026

HARDWARE

All 8800 Series windows are fixed. The human impact sash is a hinged configuration with concealed stainless steel hinges and multi point locks. The lock is mounted in a manner to achieve a flush appearance and avoid hardware protrusions to enhance the safety of the product. The blind control knob is a thumb turn design which also does not offer any hardware protrusions.

For an Anti-Ligature configuration as tested and approved by the New York State Office of Mental Health (NYSOMH) an optional closure bar is furnished at the top of the sash with corner fillers which render the top corners of the sash inaccessible and thus reduce the risk of ligature related injury. Closure plates are also furnished to be field applied over the lock penetrations after the window installation is completed. The blind tilt control knob for the NYSOMH Anti-Ligature configuration is WACI No. 5502 (Concealed Mounted) or WACI No. 5504 (Surface Mounted) which will force a string or fabric to slide off under load and does not offer any recesses to wedge any cord or string into. It does feature a 3/4" protrusion which could potentially lead to injury if impacted with a body part. An alternate Blind Control Knob is the Thumb-Wheel WACI No. 5159 (Concealed Mounted) which does not protrude thru the Impact Sash Frame, but requires more user effort to operate.

The NYSOMH configuration includes a GEM Lock. The GEM Lock is in addition to and not in lieu of the standard concealed multi point locks. The standard locks are required to meet AAMA 501.8 Impact testing. The punched passage to the locks is rendered inaccessible via the aforementioned closure plates.

If non-impact resistant windows are desired in addition to AAMA 501.8 Impact Resistant windows, the blind accessory sash can be configured with an alternate glazing bead to house 1/4" nominal glazing infill and optional lift-out hardware. For Human Impact applications, the lift out hardware is not an option at this time.