

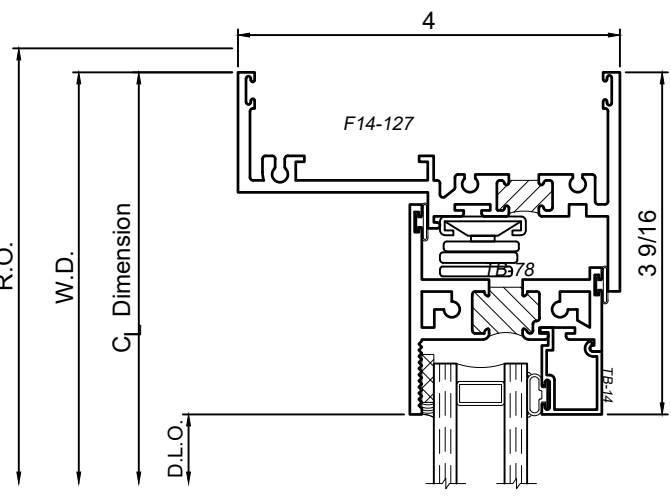
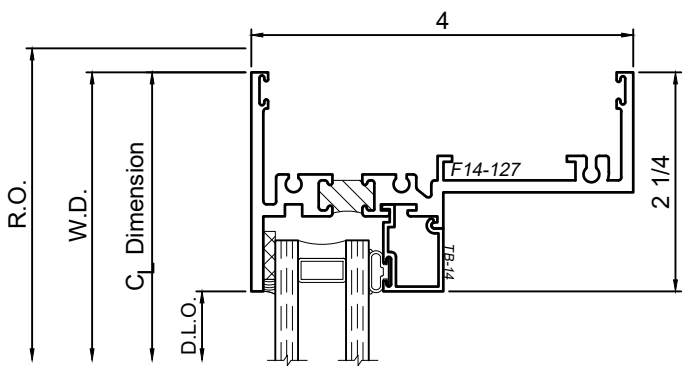
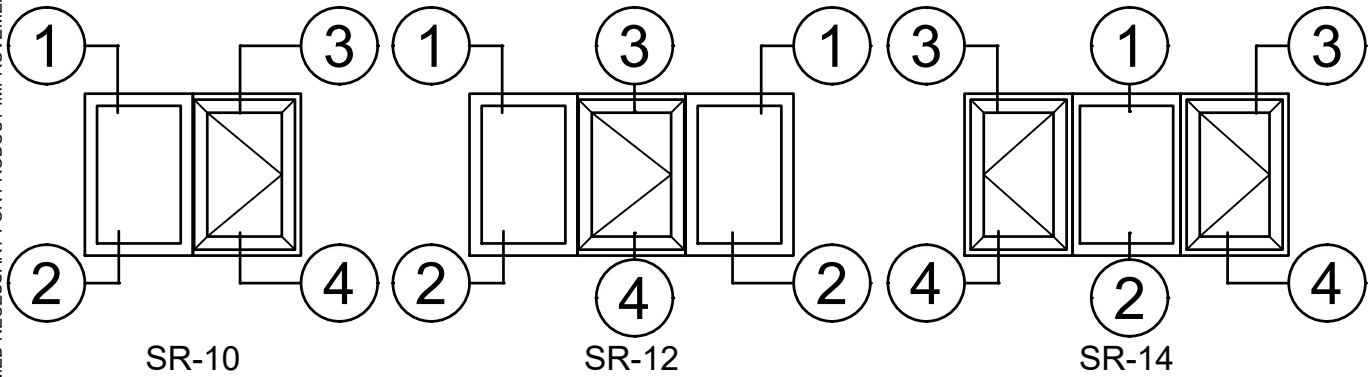
# 4" Thermal Hung Replica and Slider Replica Windows

## Product Details - Simulated Slider Head & Sill Details [SR-10,12 & 14]

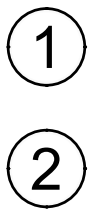


Note: Multiple configurations of this window system are available. Refer to the WINCO website for additional options or contact your local WINCO Sales Representative for information.

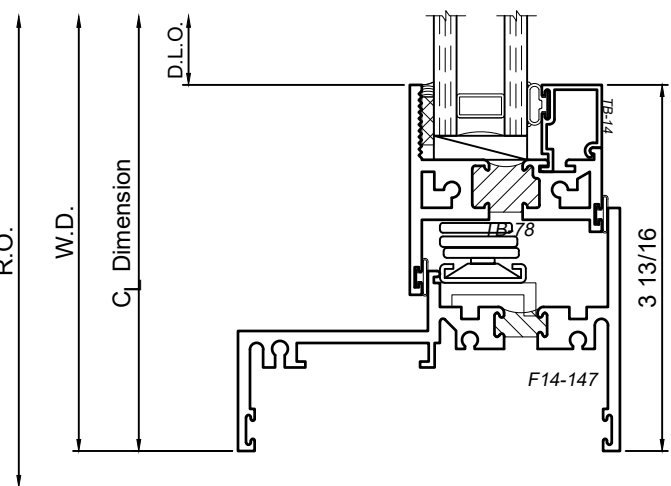
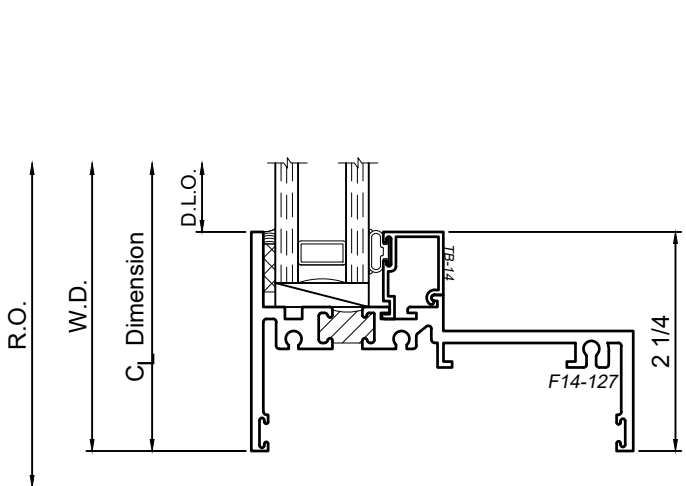
WINCO RESERVES THE RIGHT TO MODIFY OR CHANGE INFORMATION WITHIN THIS BOOK WHEN DEEMED NECESSARY FOR PRODUCT IMPROVEMENT



Sash can be configured for use as Secondary Means of Egress.  
Minimum Sizes to meet NFPA 101 and local codes / ordinances will apply.



© WINCO WINDOW COMPANY, INC. 2026



SCALE 6"=1'-0"