

# NC-82 Series 3-1/4" Thermal Terrace Doors

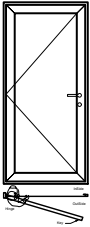
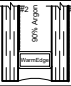
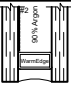
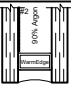
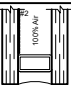
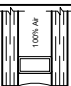
## Product Information - Single Door - Swing Out



WINCO RESERVES THE RIGHT TO MODIFY OR CHANGE INFORMATION WITHIN THIS BOOK WHEN DEEMED NECESSARY FOR PRODUCT IMPROVEMENT

### PERFORMANCE

The Series NC-82 Terrace Door is a thermally broken mainframe and sash that exceeds the performance specification criteria as required by ANSI/AAMA for AW (Architectural Grade) windows.

<p>Side Hinged Terrace Door Swing - Out</p>  <p>NAFS / AAMA 101 Test Size 48" x 95" Class: AW Performance Grade: 75 Air Infiltration: &lt;0.07 CFM Water Infiltration Resistance: &gt; 15 psf</p> <p>Can be Configured for ADA Compliance  <input type="checkbox"/> Not-Applicable  <input checked="" type="checkbox"/> Yes</p> <p>Can be configured to meet Windborne Debris Impact Resistance to ASTM E1886 / ASTM E1996  <input type="checkbox"/> Not Rated  <input checked="" type="checkbox"/> Missile "D"  <input type="checkbox"/> Missile "E"</p> <p>Product Type may be configured for Blast Resistant Installation  <input type="checkbox"/> No  <input checked="" type="checkbox"/> Yes<sup>6</sup></p>	 <p><math>U_{COG}=0.20</math> Btu/hr-ft<sup>2</sup>-°F Tripple Silver Low-E #2 x 90% Argon x Low-E No.4 example: SNX 62/27 or Solarban70 + IS20 or Sungate ThermoL</p>
	<p>NFRC Size <sup>1</sup> 37<sup>3</sup>/<sub>4</sub>" x 82<sup>3</sup>/<sub>8</sub>" <math>U_{Window}=0.35</math> Btu/h-ft<sup>2</sup>-°f<sup>2</sup> CI= __ (NFRC 501)<sup>2</sup></p> <p>NAFS Size <sup>3</sup> 48" x 96" <math>U_{Window}=0.33</math> Btu/h-ft<sup>2</sup>-°f<sup>4</sup> CRF= __ (AAMA 1503)<sup>5</sup></p>
	 <p><math>U_{COG}=0.24</math> Btu/hr-ft<sup>2</sup>-°F Tripple Silver Low-E #2 x 90% Argon x Uncoated example: SNX 62/27 or Solarban70</p>
	<p>NFRC Size <sup>1</sup> 37<sup>3</sup>/<sub>4</sub>" x 82<sup>3</sup>/<sub>8</sub>" <math>U_{Window}=0.39</math> Btu/h-ft<sup>2</sup>-°f<sup>2</sup> CI= __ (NFRC 501)<sup>2</sup></p> <p>NAFS Size <sup>3</sup> 48" x 96" <math>U_{Window}=0.36</math> Btu/h-ft<sup>2</sup>-°f<sup>4</sup> CRF= __ (AAMA 1503)<sup>5</sup></p>
	 <p><math>U_{COG}=0.29</math> Btu/hr-ft<sup>2</sup>-°F Double Silver Low-E #2 x 100% Air x Uncoated example: SN-68 or Solarban60</p>
	<p>NFRC Size <sup>1</sup> 37<sup>3</sup>/<sub>4</sub>" x 82<sup>3</sup>/<sub>8</sub>" <math>U_{Window}=0.42</math> Btu/h-ft<sup>2</sup>-°f<sup>2</sup> CI= __ (NFRC 501)<sup>2</sup></p> <p>NAFS Size <sup>3</sup> 48" x 96" <math>U_{Window}=0.40</math> Btu/h-ft<sup>2</sup>-°f<sup>4</sup> CRF= __ (AAMA 1503)<sup>5</sup></p>
	 <p><math>U_{COG}=0.34</math> Btu/hr-ft<sup>2</sup>-°F Single Silver Low-E #2 x 100% Air x Uncoated example: ES73 or Energy Advantage (Air, Aluminum Box-Spacer)</p>
	<p>NFRC Size <sup>1</sup> 37<sup>3</sup>/<sub>4</sub>" x 82<sup>3</sup>/<sub>8</sub>" <math>U_{Window}=0.44</math> Btu/h-ft<sup>2</sup>-°f<sup>2</sup> CI= __ (NFRC 501)<sup>2</sup></p> <p>NAFS Size <sup>3</sup> 48" x 96" <math>U_{Window}=0.42</math> Btu/h-ft<sup>2</sup>-°f<sup>4</sup> CRF= -- (AAMA 1503)<sup>5</sup></p>
	 <p><math>U_{COG}=0.47</math> Btu/hr-ft<sup>2</sup>-°F Uncoated x 100% Air x Uncoated example: Clear over Clear (Air, Aluminum Box-Spacer)</p>
	<p>NFRC Size <sup>1</sup> 37<sup>3</sup>/<sub>4</sub>" x 82<sup>3</sup>/<sub>8</sub>" <math>U_{Window}=0.52</math> Btu/h-ft<sup>2</sup>-°f<sup>2</sup> CI= __ (NFRC 501)<sup>2</sup></p> <p>NAFS Size <sup>3</sup> 48" x 96" <math>U_{Window}=0.51</math> Btu/h-ft<sup>2</sup>-°f<sup>4</sup> CRF= -- (AAMA 1503)<sup>5</sup></p>

This information is based on current product design, sealed dual glazing, warm edge spacers and testing standards. Solar Heat Gain Coefficient (SHGC) is not predicted since this is highly variable with Glass Tint & Low-E Coating Product. Please contact WINCO for project specific information.

<sup>1</sup> NFRC 101 Test & Rating Size

<sup>2</sup> Based on NFRC 100/200/500 Rating and LBNL Window 7.8 Simulations following NFRC Protocols

<sup>3</sup> AAMA 101 (NAFS) Gateway Test Size

<sup>4</sup> Based on LBNL Window Simulations following NFRC Protocols

<sup>5</sup> AAMA 101 Test Size and AAMA 1503 Test Protocol

<sup>6</sup> Blast Resistant Configuration is highly dependant on Product Size, Blast Design Load(s) and Project Specific Glass, Frame & Connection Response (Required Level of Protection, Allowable Hazard Level)

© WINCO WINDOW COMPANY, INC. 2026

# NC-82 Series 3-1/4" Thermal Terrace Doors

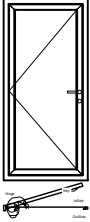


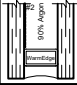
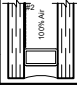
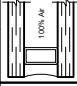
## Product Information - Single Door - Swing In



WINCO RESERVES THE RIGHT TO MODIFY OR CHANGE INFORMATION WITHIN THIS BOOK WHEN DEEMED NECESSARY FOR PRODUCT IMPROVEMENT

### PERFORMANCE

The Series NC-82 Terrace Door is a thermally broken mainframe and sash that exceeds the performance specification criteria as required by ANSI/AAMA for AW (Architectural Grade) windows.

<p>Side Hinged Terrace Door Swing - In</p>  <p>NAFS / AAMA 101 Test Size 48" x 95" Class: AW Performance Grade: 75 Air Infiltration: &lt;0.07 CFM Water Infiltration Resistance: &gt; 15 psf</p> <p>Can be Configured for ADA Compliance  <input type="checkbox"/> Not-Applicable  <input checked="" type="checkbox"/> Yes</p> <p>Can be configured to meet Windborne Debris Impact Resistance to ASTM E1886 / ASTM E1996  <input type="checkbox"/> Not Rated  <input checked="" type="checkbox"/> Missile "D"  <input type="checkbox"/> Missile "E"</p> <p>Product Type may be configured for Blast Resistant Installation  <input type="checkbox"/> No  <input checked="" type="checkbox"/> Yes<sup>6</sup></p>	 <p><math>U_{COG}=0.20</math> Btu/hr-ft<sup>2</sup>-°F Tripple Silver Low-E #2 x 90% Argon x Low-E No.4 example: SNX 62/27 or Solarban70 + IS20 or Sungate ThermoL</p>
	<p>NFRC Size <sup>1</sup> 37<sup>3</sup>/<sub>4</sub>" x 82<sup>3</sup>/<sub>8</sub>" <math>U_{Window}=0.35</math> Btu/h-ft<sup>2</sup>-°f<sup>2</sup> Same performance as simulated Out-Swing Door NFRC does not differentiate between swing direction</p>
	<p>NAFS Size <sup>3</sup> 48" x 96" <math>U_{Window}=0.33</math> Btu/h-ft<sup>2</sup>-°f<sup>4</sup> CRF= __ (AAMA 1503)<sup>5</sup></p>
	 <p><math>U_{COG}=0.24</math> Btu/hr-ft<sup>2</sup>-°F Tripple Silver Low-E #2 x 90% Argon x Uncoated example: SNX 62/27 or Solarban70</p>
	<p>NFRC Size <sup>1</sup> 37<sup>3</sup>/<sub>4</sub>" x 82<sup>3</sup>/<sub>8</sub>" <math>U_{Window}=0.39</math> Btu/h-ft<sup>2</sup>-°f<sup>2</sup> Same performance as simulated Out-Swing Door NFRC does not differentiate between swing direction</p>
	<p>NAFS Size <sup>3</sup> 48" x 96" <math>U_{Window}=0.36</math> Btu/h-ft<sup>2</sup>-°f<sup>4</sup> CRF= __ (AAMA 1503)<sup>5</sup></p>
	 <p><math>U_{COG}=0.29</math> Btu/hr-ft<sup>2</sup>-°F Double Silver Low-E #2 x 100% Air x Uncoated example: SN-68 or Solarban60</p>
	<p>NFRC Size <sup>1</sup> 37<sup>3</sup>/<sub>4</sub>" x 82<sup>3</sup>/<sub>8</sub>" <math>U_{Window}=0.42</math> Btu/h-ft<sup>2</sup>-°f<sup>2</sup> Same performance as simulated Out-Swing Door NFRC does not differentiate between swing direction</p>
	<p>NAFS Size <sup>3</sup> 48" x 96" <math>U_{Window}=0.40</math> Btu/h-ft<sup>2</sup>-°f<sup>4</sup> CRF= __ (AAMA 1503)<sup>5</sup></p>
	 <p><math>U_{COG}=0.34</math> Btu/hr-ft<sup>2</sup>-°F Single Silver Low-E #2 x 100% Air x Uncoated example: ES73 or Energy Advantage (Air, Aluminum Box-Spacer)</p>
	<p>NFRC Size <sup>1</sup> 37<sup>3</sup>/<sub>4</sub>" x 82<sup>3</sup>/<sub>8</sub>" <math>U_{Window}=0.44</math> Btu/h-ft<sup>2</sup>-°f<sup>2</sup> Same performance as simulated Out-Swing Door NFRC does not differentiate between swing direction</p>
	<p>NAFS Size <sup>3</sup> 48" x 96" <math>U_{Window}=0.42</math> Btu/h-ft<sup>2</sup>-°f<sup>4</sup> CRF= -- (AAMA 1503)<sup>5</sup></p>
 <p><math>U_{COG}=0.47</math> Btu/hr-ft<sup>2</sup>-°F Uncoated x 100% Air x Uncoated example: Clear over Clear (Air, Aluminum Box-Spacer)</p>	
<p>NFRC Size <sup>1</sup> 37<sup>3</sup>/<sub>4</sub>" x 82<sup>3</sup>/<sub>8</sub>" <math>U_{Window}=0.52</math> Btu/h-ft<sup>2</sup>-°f<sup>2</sup> Same performance as simulated Out-Swing Door NFRC does not differentiate between swing direction</p>	
<p>NAFS Size <sup>3</sup> 48" x 96" <math>U_{Window}=0.51</math> Btu/h-ft<sup>2</sup>-°f<sup>4</sup> CRF= -- (AAMA 1503)<sup>5</sup></p>	

This information is based on current product design, sealed dual glazing, warm edge spacers and testing standards. Solar Heat Gain Coefficient (SHGC) is not predicted since this is highly variable with Glass Tint & Low-E Coating Product. Please contact WINCO for project specific information.

<sup>1</sup> NFRC 101 Test & Rating Size

<sup>2</sup> Based on NFRC 100/200/500 Rating and LBNL Window 7.8 Simulations following NFRC Protocols

<sup>3</sup> AAMA 101 (NAFS) Gateway Test Size

<sup>4</sup> Based on LBNL Window Simulations following NFRC Protocols

<sup>5</sup> AAMA 101 Test Size and AAMA 1503 Test Protocol

<sup>6</sup> Blast Resistant Configuration is highly dependant on Product Size, Blast Design Load(s) and Project Specific Glass, Frame & Connection Response (Required Level of Protection, Allowable Hazard Level)

© WINCO WINDOW COMPANY, INC. 2026

# NC-82 Series 3-1/4" Thermal Terrace Doors


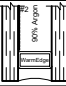

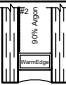
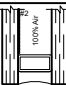
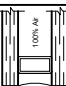
## Product Information - Fixed Side Lite



WINCO RESERVES THE RIGHT TO MODIFY OR CHANGE INFORMATION WITHIN THIS BOOK WHEN DEEMED NECESSARY FOR PRODUCT IMPROVEMENT

### PERFORMANCE

The Series NC-82 Terrace Door is a thermally broken mainframe and sash that exceeds the performance specification criteria as required by ANSI/AAMA for AW (Architectural Grade) windows.

<p>Sidelite</p>  <p>NAFS / AAMA 101 Test Size 20" x 83" Class: C Performance Grade: 90 Air Infiltration: &lt;0.3 CFM Water Infiltration Resistance: &gt; 15 psf</p> <p>Can be Configured for ADA Compliance <input checked="" type="checkbox"/> Not-Applicable <input type="checkbox"/> Yes</p> <p>Can be configured to meet Windborne Debris Impact Resistance to ASTM E1886 / ASTM E1996 <input checked="" type="checkbox"/> Not Rated <input type="checkbox"/> Missile "D" <input type="checkbox"/> Missile "E"</p> <p>Product Type may be configured for Blast Resistant Installation <input type="checkbox"/> No <input checked="" type="checkbox"/> Yes<sup>6</sup></p>	 <p><math>U_{COG}=0.20</math> Btu/hr-ft<sup>2</sup>-°F Tripple Silver Low-E #2 x 90% Argon x Low-E No.4 example: SNX 62/27 or Solarban70 + IS20 or Sungate Therml</p>	<p>NFRC Size <sup>1</sup> 47" x 59" <math>U_{Window}=0.32</math> Btu/h-ft<sup>2</sup>-°f<sup>2</sup>   CI= __ (NFRC 501)<sup>2</sup></p> <p>NAFS Size <sup>3</sup> 60" x 99" <math>U_{Window}=0.34</math> Btu/h-ft<sup>2</sup>-°f<sup>4</sup>   CRF= __ (AAMA 1503)<sup>5</sup></p>
	 <p><math>U_{COG}=0.24</math> Btu/hr-ft<sup>2</sup>-°F Tripple Silver Low-E #2 x 90% Argon x Uncoated example: SNX 62/27 or Solarban70</p>	<p>NFRC Size <sup>1</sup> 47" x 59" <math>U_{Window}=0.36</math> Btu/h-ft<sup>2</sup>-°f<sup>2</sup>   CI= __ (NFRC 501)<sup>2</sup></p> <p>NAFS Size <sup>3</sup> 60" x 99" <math>U_{Window}=0.38</math> Btu/h-ft<sup>2</sup>-°f<sup>4</sup>   CRF= __ (AAMA 1503)<sup>5</sup></p>
	 <p><math>U_{COG}=0.29</math> Btu/hr-ft<sup>2</sup>-°F Double Silver Low-E #2 x 100% Air x Uncoated example: SN-68 or Solarban60</p>	<p>NFRC Size <sup>1</sup> 47" x 59" <math>U_{Window}=0.40</math> Btu/h-ft<sup>2</sup>-°f<sup>2</sup>   CI= __ (NFRC 501)<sup>2</sup></p> <p>NAFS Size <sup>3</sup> 60" x 99" <math>U_{Window}=0.41</math> Btu/h-ft<sup>2</sup>-°f<sup>4</sup>   CRF= __ (AAMA 1503)<sup>5</sup></p>
	 <p><math>U_{COG}=0.34</math> Btu/hr-ft<sup>2</sup>-°F Single Silver Low-E #2 x 100% Air x Uncoated example: ES73 or Energy Advantage (Air, Aluminum Box-Spacer)</p>	<p>NFRC Size <sup>1</sup> 47" x 59" <math>U_{Window}=0.42</math> Btu/h-ft<sup>2</sup>-°f<sup>2</sup>   CI= __ (NFRC 501)<sup>2</sup></p> <p>NAFS Size <sup>3</sup> 60" x 99" <math>U_{Window}=0.44</math> Btu/h-ft<sup>2</sup>-°f<sup>4</sup>   CRF= -- (AAMA 1503)<sup>5</sup></p>
	 <p><math>U_{COG}=0.47</math> Btu/hr-ft<sup>2</sup>-°F Uncoated x 100% Air x Uncoated example: Clear over Clear (Air, Aluminum Box-Spacer)</p>	<p>NFRC Size <sup>1</sup> 47" x 59" <math>U_{Window}=0.52</math> Btu/h-ft<sup>2</sup>-°f<sup>2</sup>   CI= __ (NFRC 501)<sup>2</sup></p> <p>NAFS Size <sup>3</sup> 60" x 99" <math>U_{Window}=0.53</math> Btu/h-ft<sup>2</sup>-°f<sup>4</sup>   CRF= -- (AAMA 1503)<sup>5</sup></p>

This information is based on current product design, sealed dual glazing, warm edge spacers and testing standards. Solar Heat Gain Coefficient (SHGC) is not predicted since this is highly variable with Glass Tint & Low-E Coating Product. Please contact WINCO for project specific information.

<sup>1</sup> NFRC 101 Test & Rating Size

<sup>2</sup> Based on NFRC 100/200/500 Rating and LBNL Window 7.8 Simulations following NFRC Protocols

<sup>3</sup> AAMA 101 (NAFS) Gateway Test Size

<sup>4</sup> Based on LBNL Window Simulations following NFRC Protocols

<sup>5</sup> AAMA 101 Test Size and AAMA 1503 Test Protocol

<sup>6</sup> Blast Resistant Configuration is highly dependant on Product Size, Blast Design Load(s) and Project Specific Glass, Frame & Connection Response (Required Level of Protection, Allowable Hazard Level)

© WINCO WINDOW COMPANY, INC. 2026

### CONSTRUCTION

**MATERIAL** - The Series NC-82 Terrace Door is a 3-1/4" deep frame depth with a nominal wall thickness of .066 inch. All material is extruded from 6063-T6 alloy.

**THERMAL BREAK** - All framing members of the window system are thermally broken. Winco uses polyamide struts for all frame and vent extrusion profiles.

**WEATHER-STRIP** - All operating ventilators have a double Santoprene®, non-shrinking dual durometer, thermoplastic rubber weather-stripping around the perimeter. One interior and one exterior.

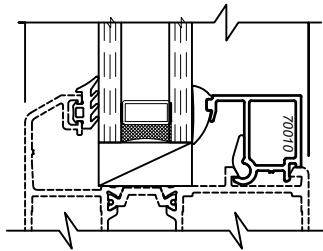
# NC-82 Series 3-1/4" Thermal Terrace Doors

## Product Information - Glass Options & Combination

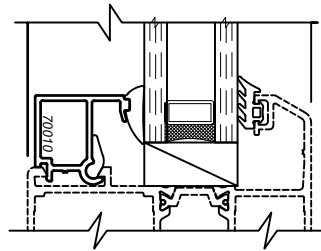


### GLAZING

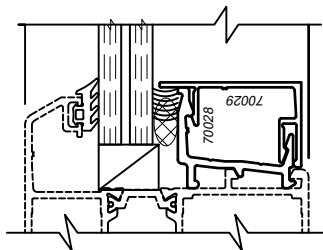
The windows can be interior or exterior glazed with .050 thick extruded aluminum glazing beads accommodating thicknesses from 1/4" up to 1". Dual or triple glazing is an option utilizing an interior panel sash that is a take out sash. Venetian blinds are available with the dual glazed window options. See the quick reference chart below for all glazing options. For actual details refer to the glazing section in the back of the 3410 section for optional glazing and blind details.



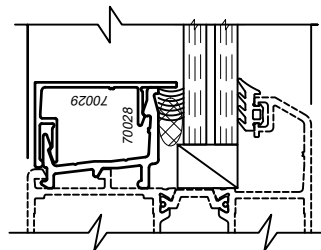
1" Glazing Bead  
70010  
Interior Glazed



1" Glazing Bead  
70010  
Exterior Glazed



5/8" Glazing Bead  
70028 + 70029  
Interior Glazed



5/8" Glazing Bead  
70028 + 70029  
Exterior Glazed

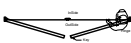
WINCO RESERVES THE RIGHT TO MODIFY OR CHANGE INFORMATION WITHIN THIS BOOK WHEN DEEMED NECESSARY FOR PRODUCT IMPROVEMENT

© WINCO WINDOW COMPANY, INC. 2026

Winco has different gaskets and glazing methods that can accommodate odd thicknesses of glass. If you do not see what you are looking for within this chart please contact your local representative for information regarding your specific project needs.

### HARDWARE - Side Hinged Door Configurations

The exposed Locking Hardware is available in Brushed Nickel Finish (default), White Painted and Dark Bronze Painted Finish (Option w/ minimum Order Size).

 	<p>Single Door (Side Hinged Out-Swing) w/ Default Hardware Kit</p> <p>Mortised Lock (Paris Style Handle) w/ Multiple Locking Points Keyed Lock on Exterior <sup>1</sup> Thumb Turn Lock on Interior</p> <p>2 Knuckle Butt Hinge (available in Right Hand or Left Hand configuration)</p>	<p><u>Optional Hardware Accessories <sup>2</sup>:</u> Spring Operated Door Closer</p> <p>Thumb Turn Lock on Exterior Keyed Lock on Interior</p> <p><u>Required for ADA Compliance:</u> Lowered Threshold Kick Plate</p>
 	<p>Single Door (Side Hinged In-Swing) w/ Default Hardware Kit</p> <p>Mortised Lock (Paris Style Handle) w/ Multiple Locking Points Keyed Lock on Exterior <sup>1</sup> Thumb Turn Lock on Interior</p> <p>2 Knuckle Butt Hinge (available in Right Hand or Left Hand configuration)</p>	<p><u>Optional Hardware Accessories <sup>2</sup>:</u> Spring Operated Door Closer</p> <p>Thumb Turn Lock on Exterior Keyed Lock on Interior</p> <p><u>Required for ADA Compliance:</u> Lowered Threshold Kick Plate</p>
 	<p>Single Door (Side Hinged Out-Swing) w/ Default Hardware Kit</p> <p>Mortised Lock (Paris Style Handle) w/ Multiple Locking Points Keyed Lock on Exterior <sup>1</sup> Thumb Turn Lock on Interior</p> <p>Shoot Bolt at Sill and Head for secondary Panel 2 Knuckle Butt Hinge (available in Right Hand or Left Hand primary configuration)</p>	<p><u>Optional Hardware Accessories <sup>2</sup>:</u> Spring Operated Door Closer</p> <p>Thumb Turn Lock on Exterior Keyed Lock on Interior</p> <p><u>Required for ADA Compliance:</u> Lowered Threshold Kick Plate</p>
 	<p>Single Door (Side Hinged In-Swing) w/ Default Hardware Kit</p> <p>Mortised Lock (Paris Style Handle) w/ Multiple Locking Points Keyed Lock on Exterior <sup>1</sup> Thumb Turn Lock on Interior</p> <p>Shoot Bolt at Sill and Head for secondary Panel 2 Knuckle Butt Hinge (available in Right Hand or Left Hand primary configuration)</p>	<p><u>Optional Hardware Accessories <sup>2</sup>:</u> Spring Operated Door Closer</p> <p>Thumb Turn Lock on Exterior Keyed Lock on Interior</p> <p><u>Required for ADA Compliance:</u> Lowered Threshold Kick Plate</p>

Please contact WINCO for project specific information

<sup>1</sup> While the lock tumblers can be re-pinned by a qualified lock-smith, they are of non-standard depth and proprietary asymmetric design and are not suitable for Single Master-Key configuration common in commercial buildings.

<sup>2</sup> Von Duprin Panic Bars or other Panic Devices are not compatible with the NC-82 Terrace Door due to the proprietary design of the Multi-Point Lock configuration.

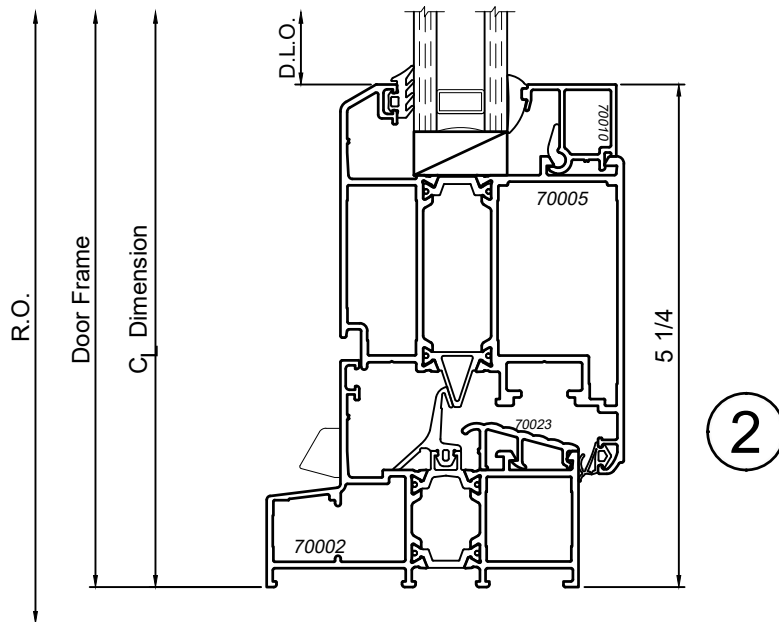
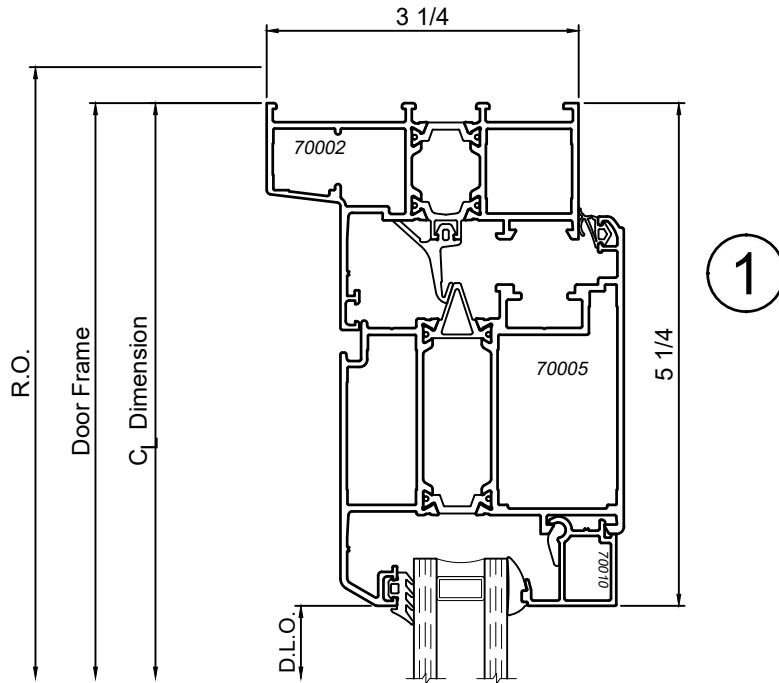
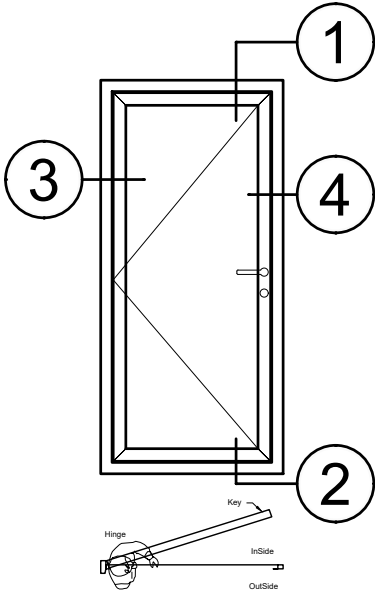
# NC-82 Series 3-1/4" Thermal Terrace Doors

## Product Details - Inswing Terrace Door



Note: Multiple configurations of this window system are available. Refer to the WINCO website for additional options or contact your local WINCO Sales Representative for information.

WINCO RESERVES THE RIGHT TO MODIFY OR CHANGE INFORMATION WITHIN THIS BOOK WHEN DEEMED NECESSARY FOR PRODUCT IMPROVEMENT



SCALE 6"=1'-0"

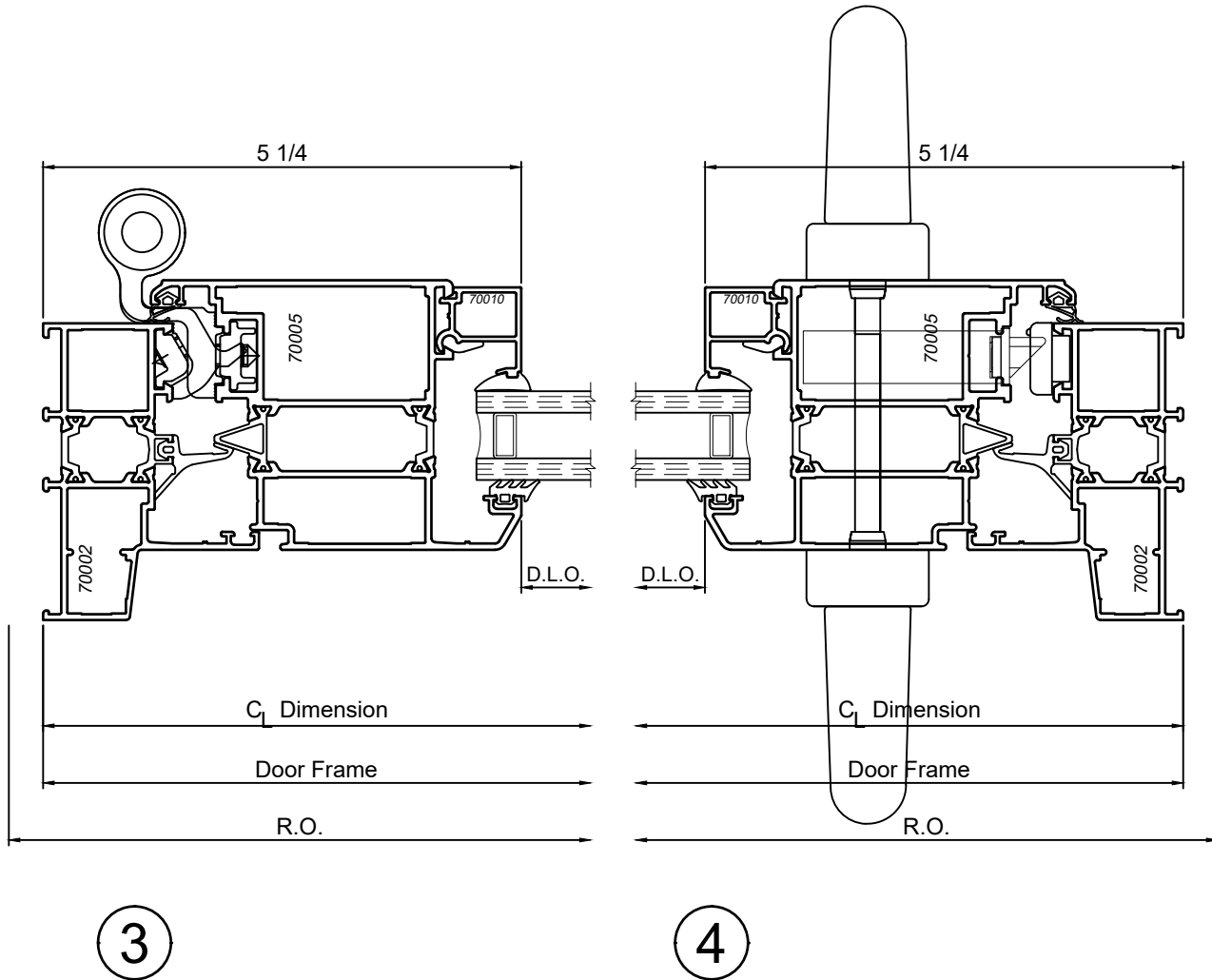
# NC-82 Series 3-1/4" Thermal Terrace Doors

## Product Details - Inswing Terrace Door



Note: Multiple configurations of this window system are available. Refer to the WINCO website for additional options or contact your local WINCO Sales Representative for information.

WINCO RESERVES THE RIGHT TO MODIFY OR CHANGE INFORMATION WITHIN THIS BOOK WHEN DEEMED NECESSARY FOR PRODUCT IMPROVEMENT



© WINCO WINDOW COMPANY, INC. 2026

SCALE 6"=1'-0"

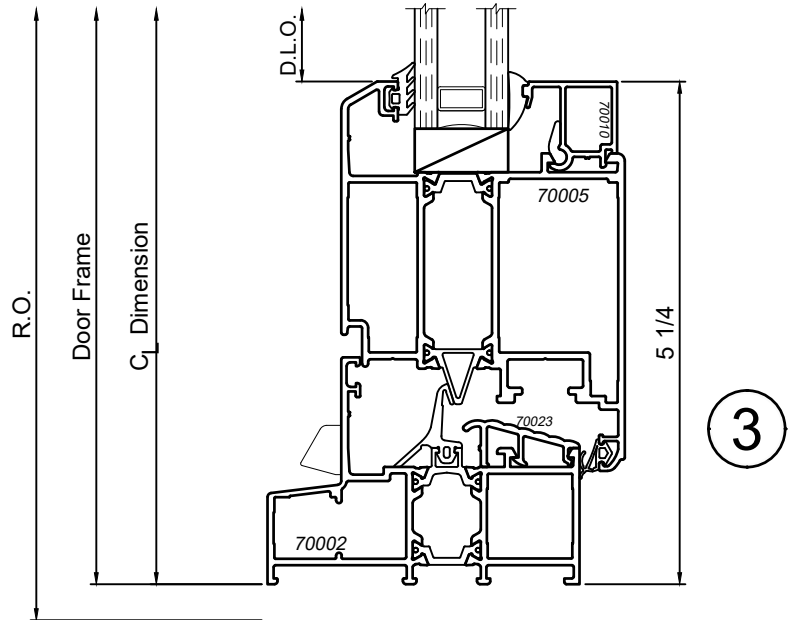
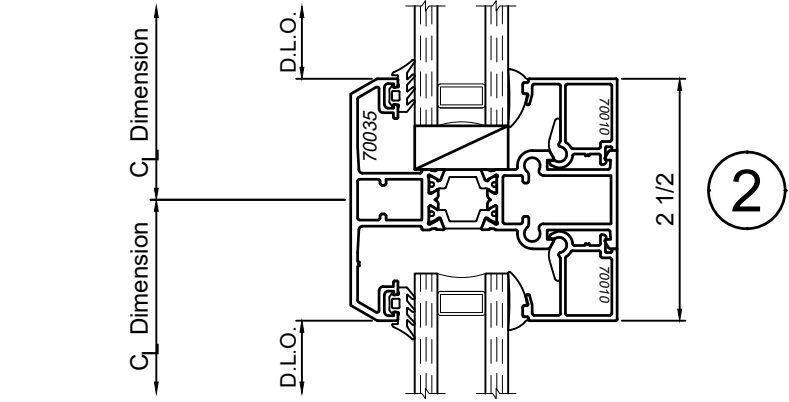
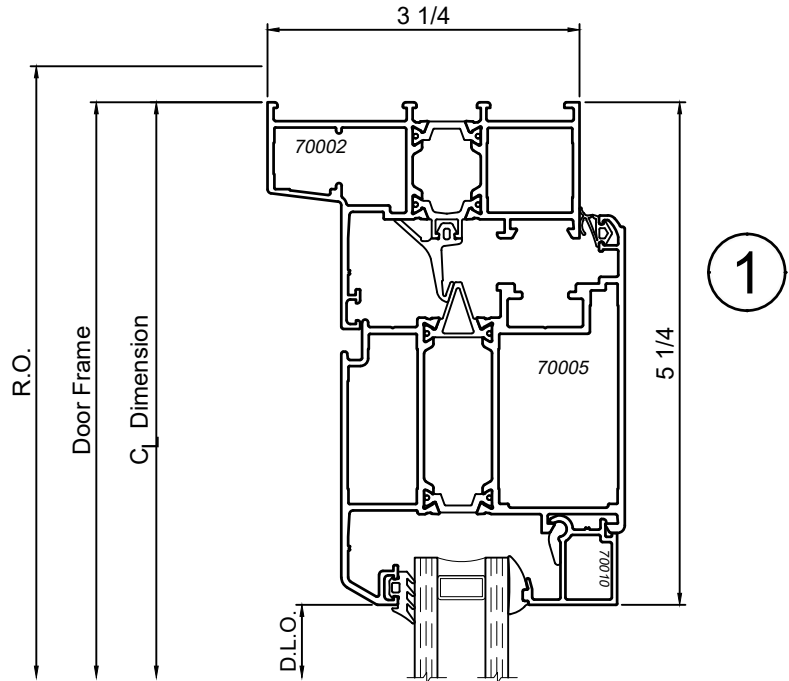
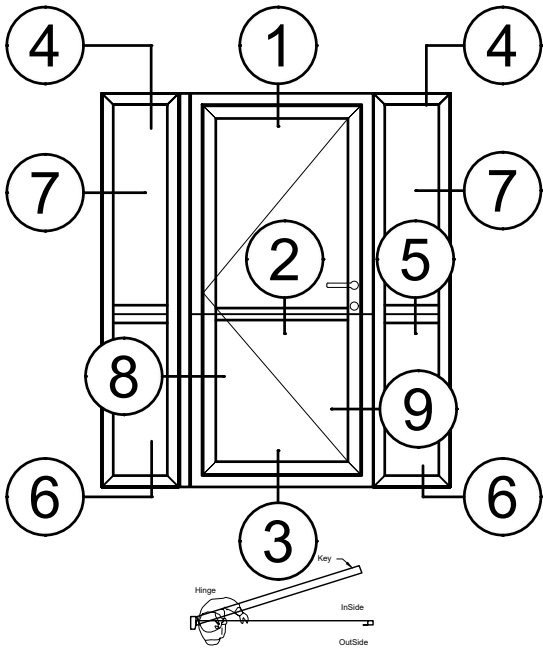
# NC-82 Series 3-1/4" Thermal Terrace Doors

## Product Details - Inswing Terrace Door w/ Side Lite



Note: Multiple configurations of this window system are available. Refer to the WINCO website for additional options or contact your local WINCO Sales Representative for information.

WINCO RESERVES THE RIGHT TO MODIFY OR CHANGE INFORMATION WITHIN THIS BOOK WHEN DEEMED NECESSARY FOR PRODUCT IMPROVEMENT



© WINCO WINDOW COMPANY, INC. 2026

SCALE 6"=1'-0"

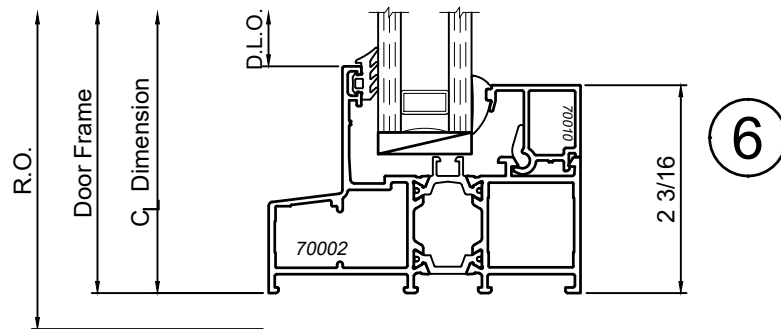
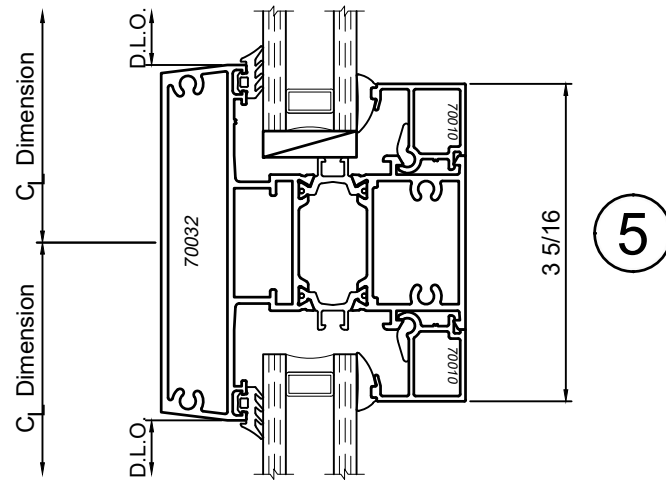
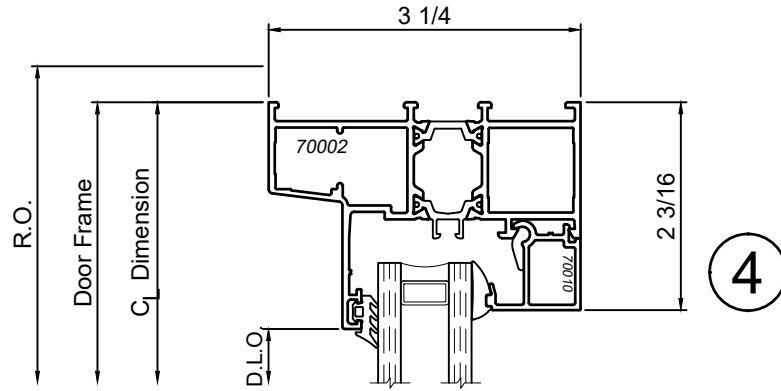
# NC-82 Series 3-1/4" Thermal Terrace Doors

## Product Details - Inswing Terrace Door w/ Side Lite



Note: Multiple configurations of this window system are available. Refer to the WINCO website for additional options or contact your local WINCO Sales Representative for information.

WINCO RESERVES THE RIGHT TO MODIFY OR CHANGE INFORMATION WITHIN THIS BOOK WHEN DEEMED NECESSARY FOR PRODUCT IMPROVEMENT



SCALE 6"=1'-0"

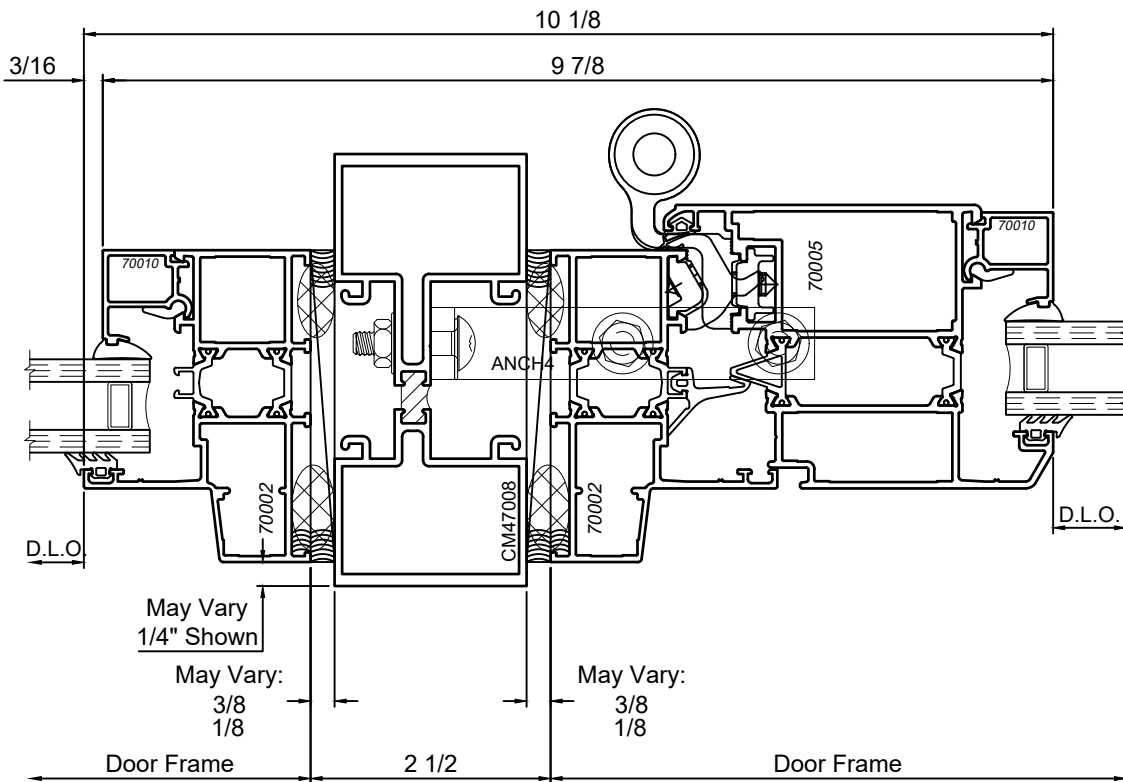
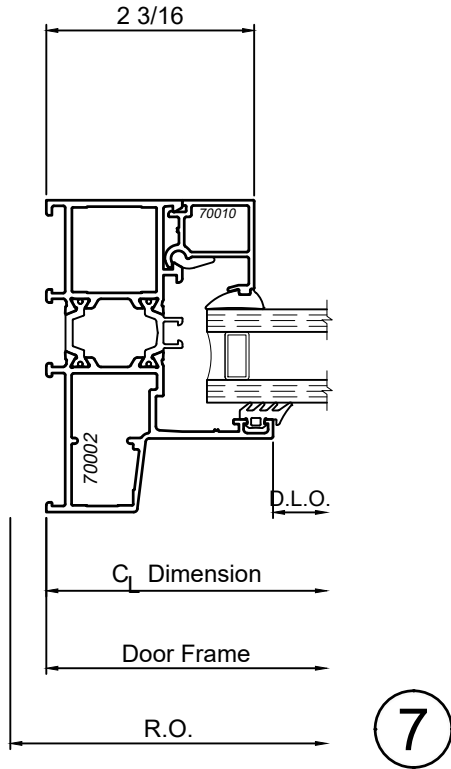
# NC-82 Series 3-1/4" Thermal Terrace Doors

## Product Details - Inswing Terrace Door w/ Side Lite



Note: Multiple configurations of this window system are available. Refer to the WINCO website for additional options or contact your local WINCO Sales Representative for information.

WINCO RESERVES THE RIGHT TO MODIFY OR CHANGE INFORMATION WITHIN THIS BOOK WHEN DEEMED NECESSARY FOR PRODUCT IMPROVEMENT



© WINCO WINDOW COMPANY, INC. 2026

SCALE 6"=1'-0"

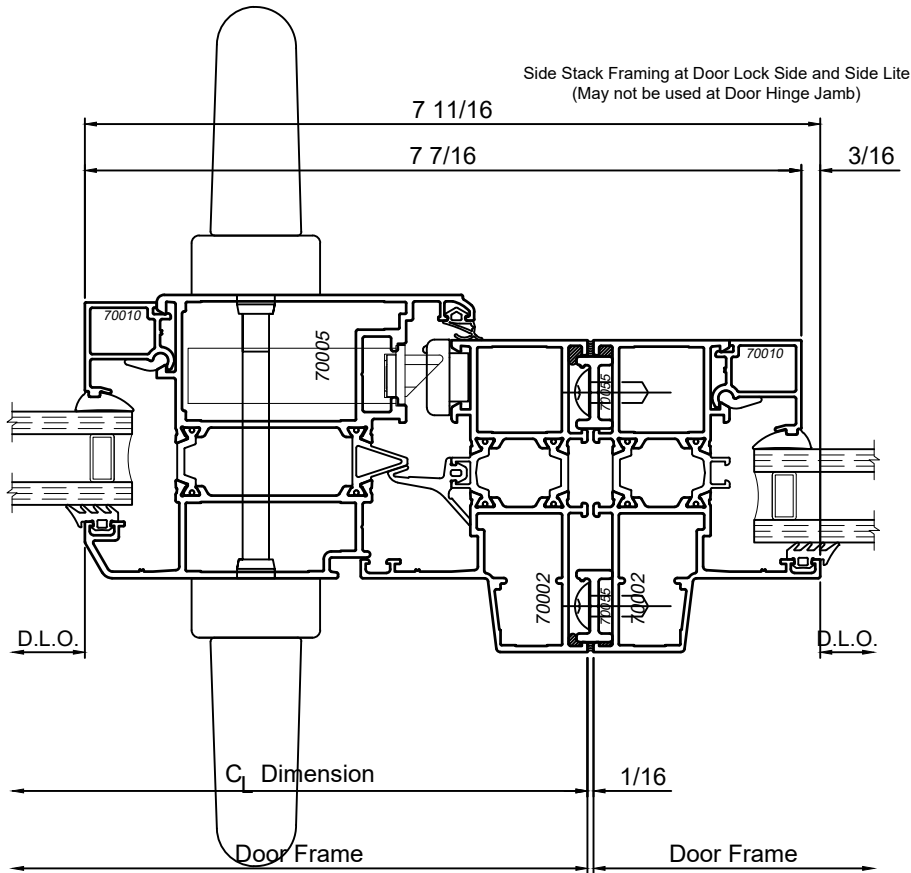
# NC-82 Series 3-1/4" Thermal Terrace Doors

## Product Details - Inswing Terrace Door w/ Side Lite



Note: Multiple configurations of this window system are available. Refer to the WINCO website for additional options or contact your local WINCO Sales Representative for information.

WINCO RESERVES THE RIGHT TO MODIFY OR CHANGE INFORMATION WITHIN THIS BOOK WHEN DEEMED NECESSARY FOR PRODUCT IMPROVEMENT



© WINCO WINDOW COMPANY, INC. 2026

SCALE 6"=1'-0"

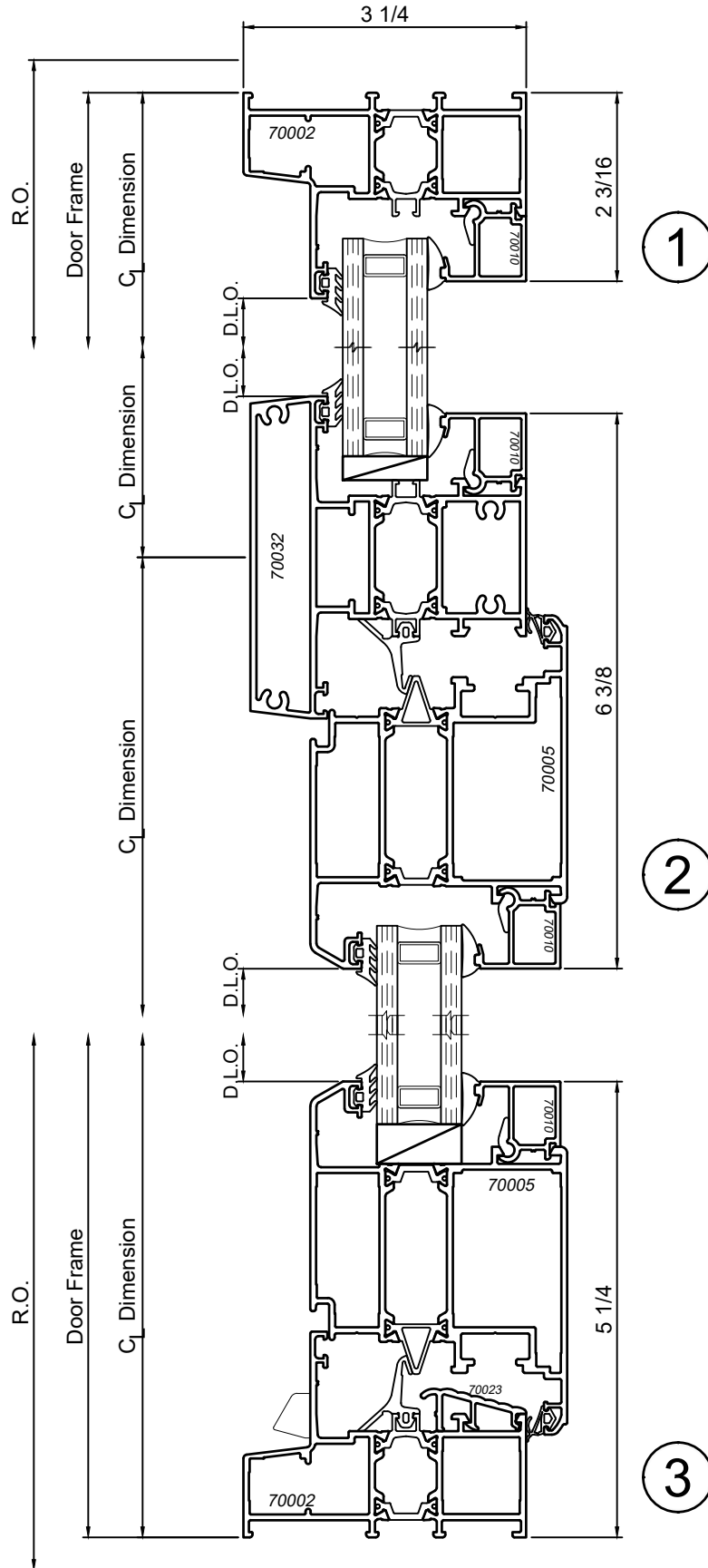
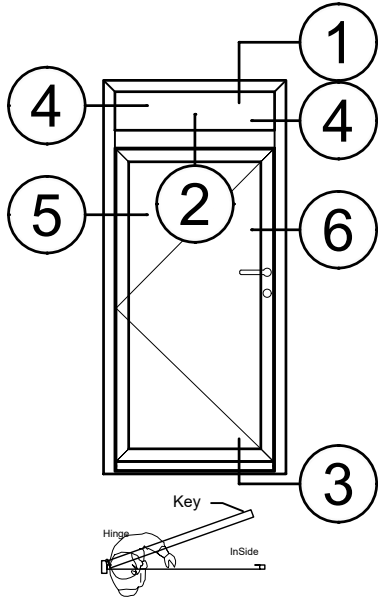
# NC-82 Series 3-1/4" Thermal Terrace Doors

## Product Details - Inswing Terrace Door w/ Transom



Note: Multiple configurations of this window system are available. Refer to the WINCO website for additional options or contact your local WINCO Sales Representative for information.

WINCO RESERVES THE RIGHT TO MODIFY OR CHANGE INFORMATION WITHIN THIS BOOK WHEN DEEMED NECESSARY FOR PRODUCT IMPROVEMENT



© WINCO WINDOW COMPANY, INC. 2026

SCALE 6"=1'-0"

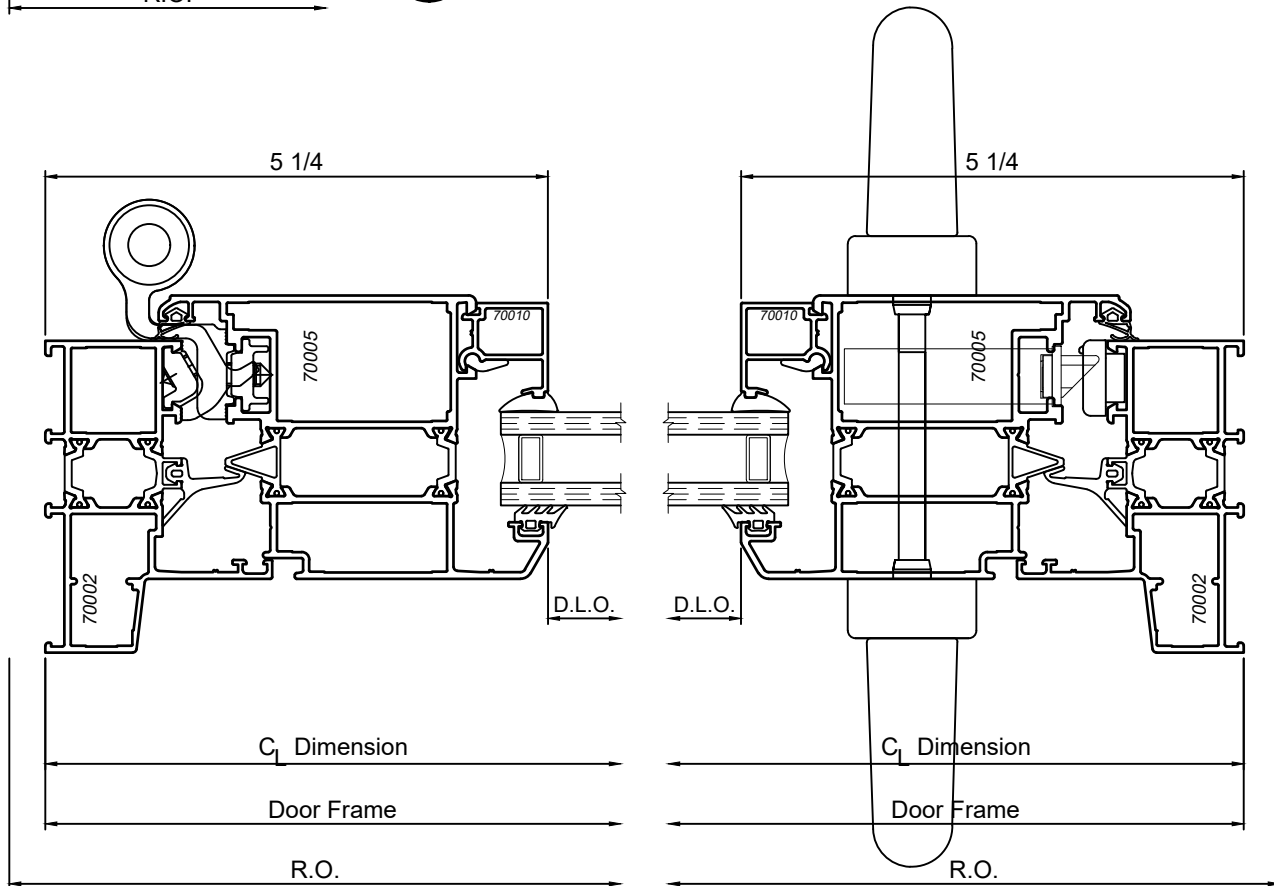
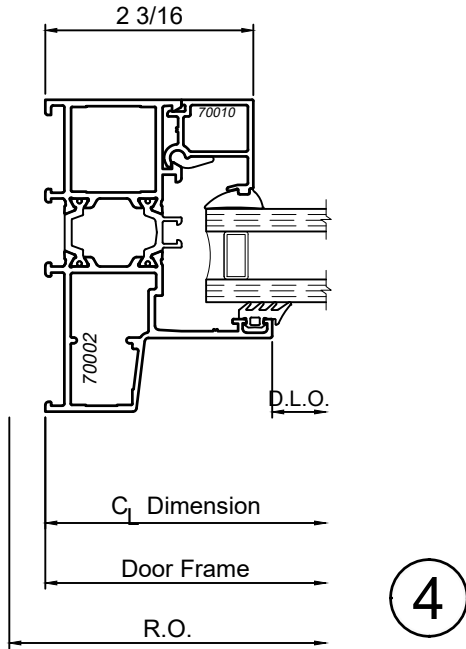
# NC-82 Series 3-1/4" Thermal Terrace Doors

## Product Details - Inswing Terrace Door w/ Transom



Note: Multiple configurations of this window system are available. Refer to the WINCO website for additional options or contact your local WINCO Sales Representative for information.

WINCO RESERVES THE RIGHT TO MODIFY OR CHANGE INFORMATION WITHIN THIS BOOK WHEN DEEMED NECESSARY FOR PRODUCT IMPROVEMENT



5

6

SCALE 6"=1'-0"

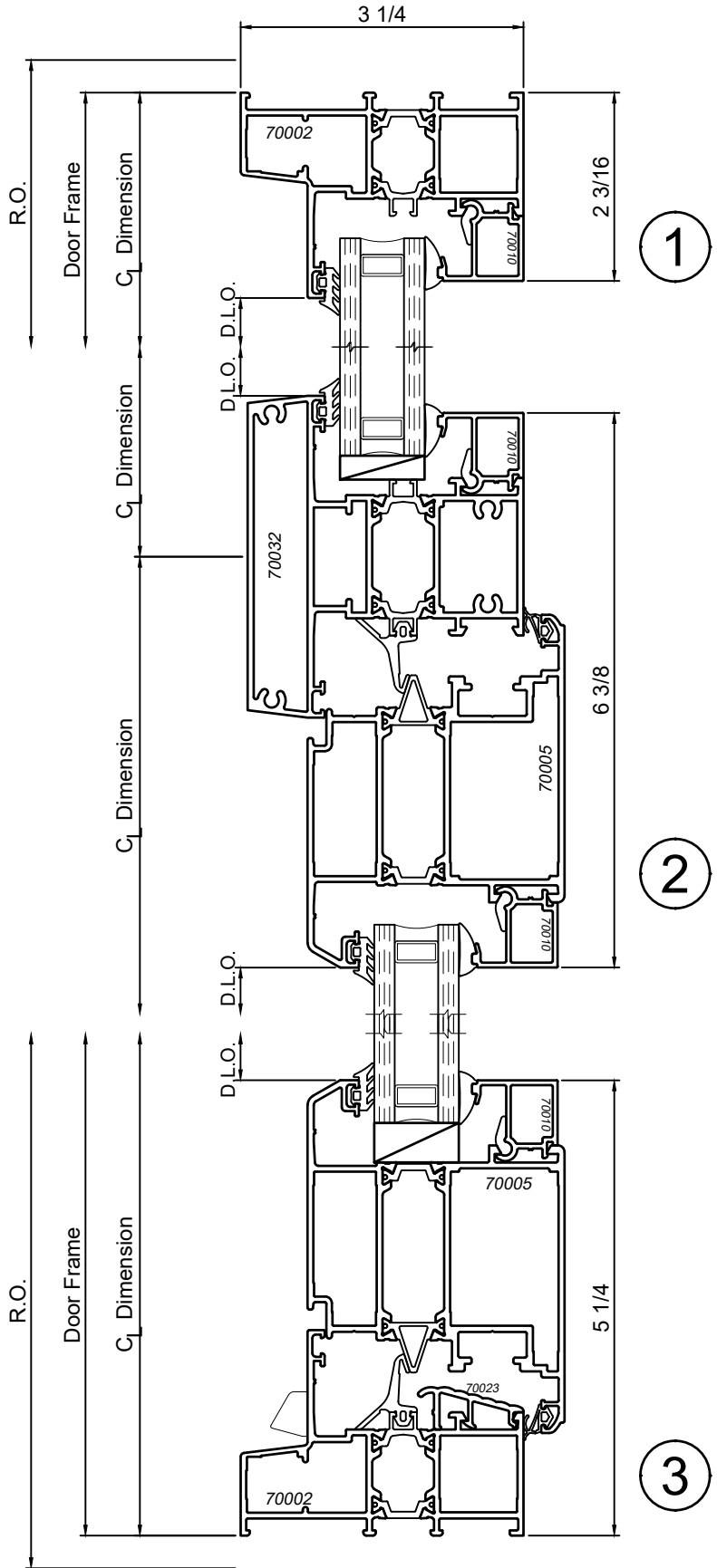
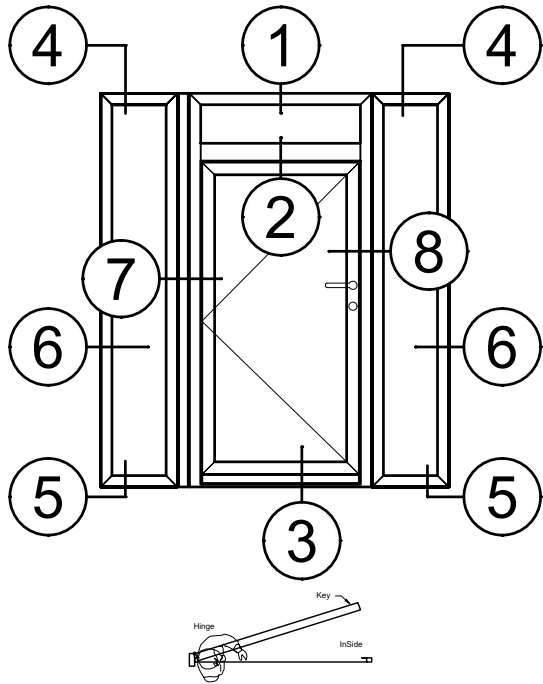
# NC-82 Series 3-1/4" Thermal Terrace Doors

## Product Details - Inswing Terrace Door w/ Side Lite & Transom



Note: Multiple configurations of this window system are available. Refer to the WINCO website for additional options or contact your local WINCO Sales Representative for information.

WINCO RESERVES THE RIGHT TO MODIFY OR CHANGE INFORMATION WITHIN THIS BOOK WHEN DEEMED NECESSARY FOR PRODUCT IMPROVEMENT



© WINCO WINDOW COMPANY, INC. 2026

SCALE 6"=1'-0"

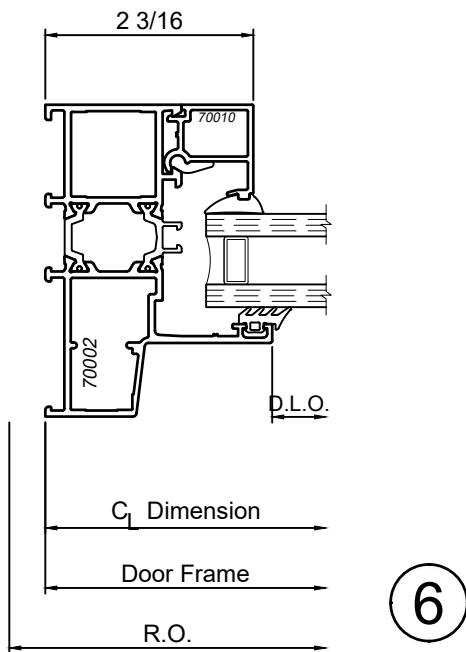
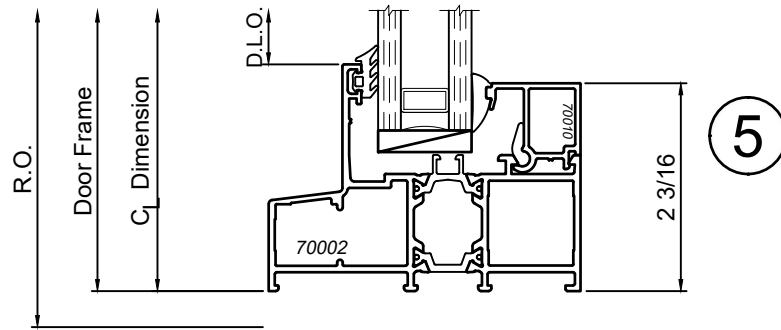
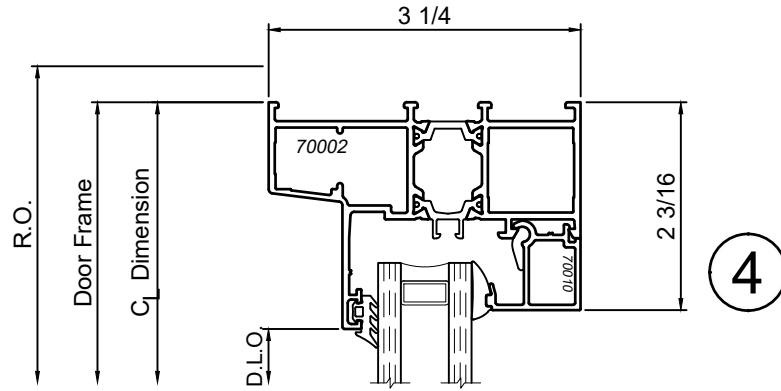
# NC-82 Series 3-1/4" Thermal Terrace Doors

## Product Details - Inswing Terrace Door w/ Side Lite & Transom



Note: Multiple configurations of this window system are available. Refer to the WINCO website for additional options or contact your local WINCO Sales Representative for information.

WINCO RESERVES THE RIGHT TO MODIFY OR CHANGE INFORMATION WITHIN THIS BOOK WHEN DEEMED NECESSARY FOR PRODUCT IMPROVEMENT



© WINCO WINDOW COMPANY, INC. 2026

SCALE 6"=1'-0"

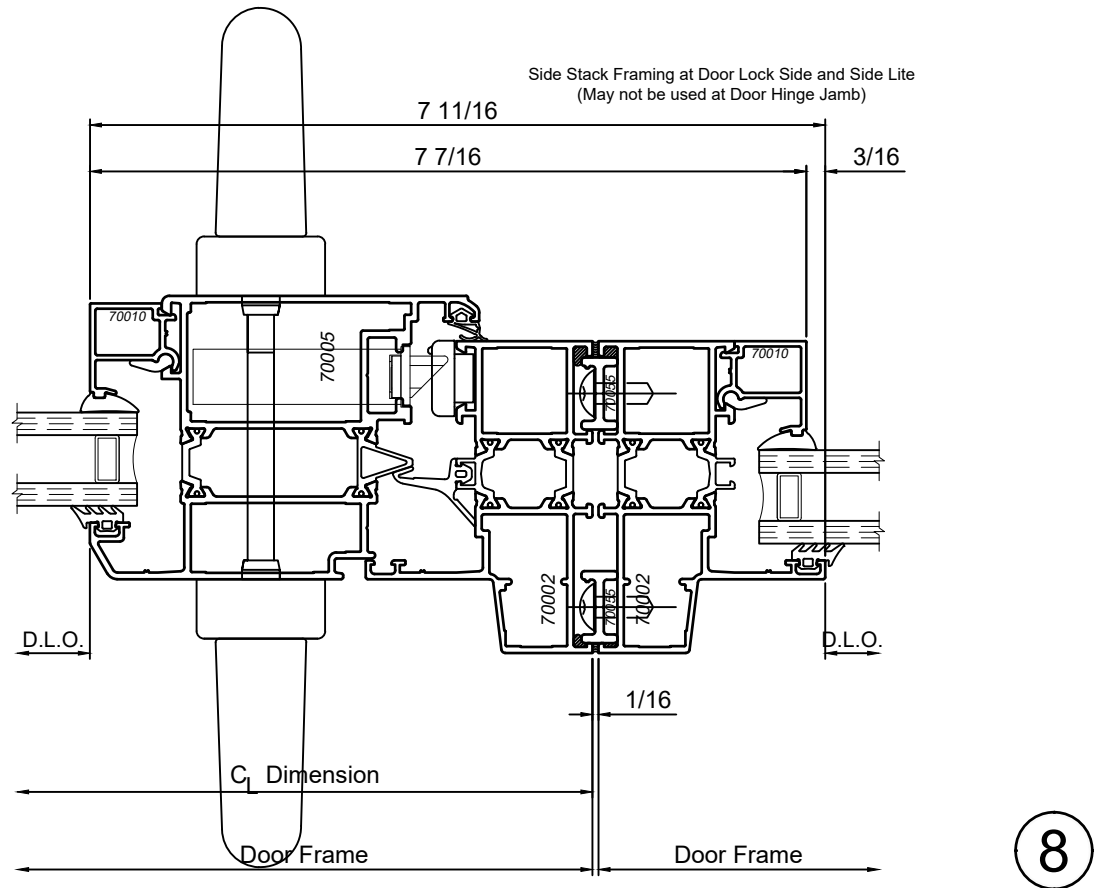
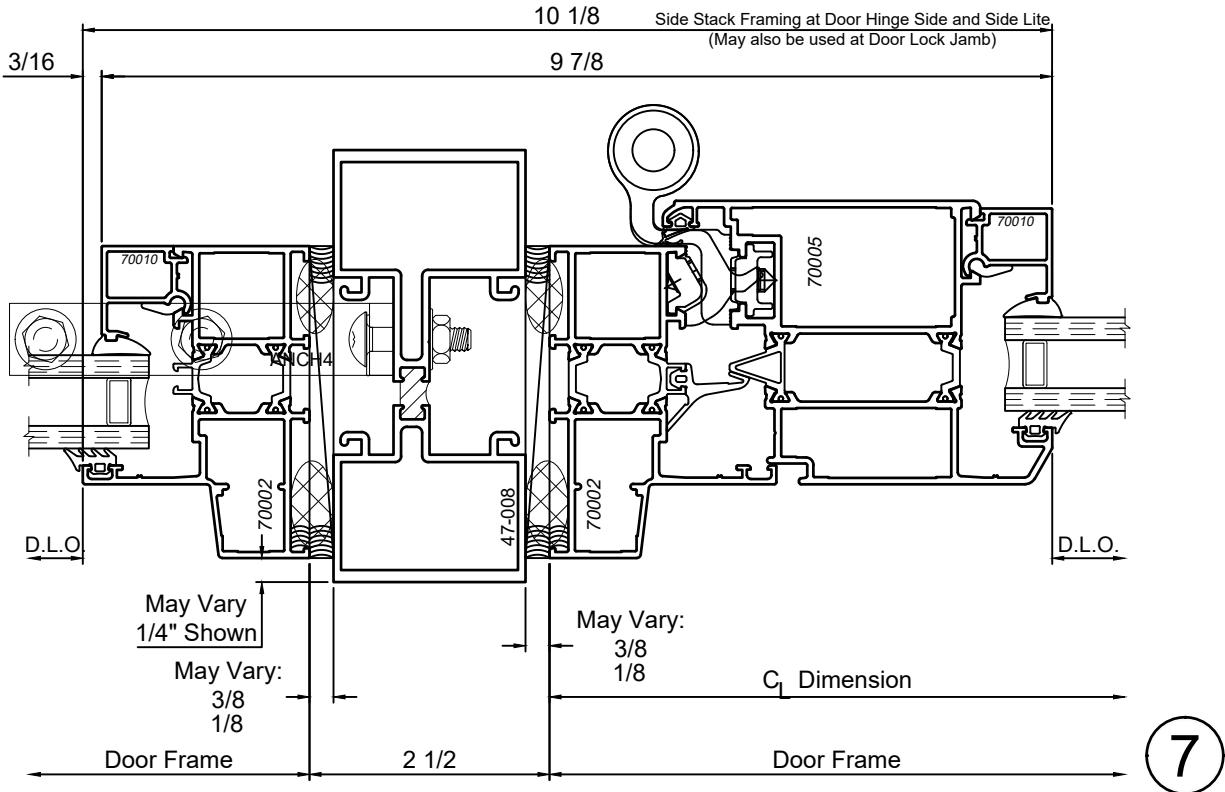
# NC-82 Series 3-1/4" Thermal Terrace Doors

## Product Details - Inswing Terrace Door w/ Side Lite & Transom



Note: Multiple configurations of this window system are available. Refer to the WINCO website for additional options or contact your local WINCO Sales Representative for information.

WINCO RESERVES THE RIGHT TO MODIFY OR CHANGE INFORMATION WITHIN THIS BOOK WHEN DEEMED NECESSARY FOR PRODUCT IMPROVEMENT



© WINCO WINDOW COMPANY, INC. 2026

SCALE 6"=1'-0"

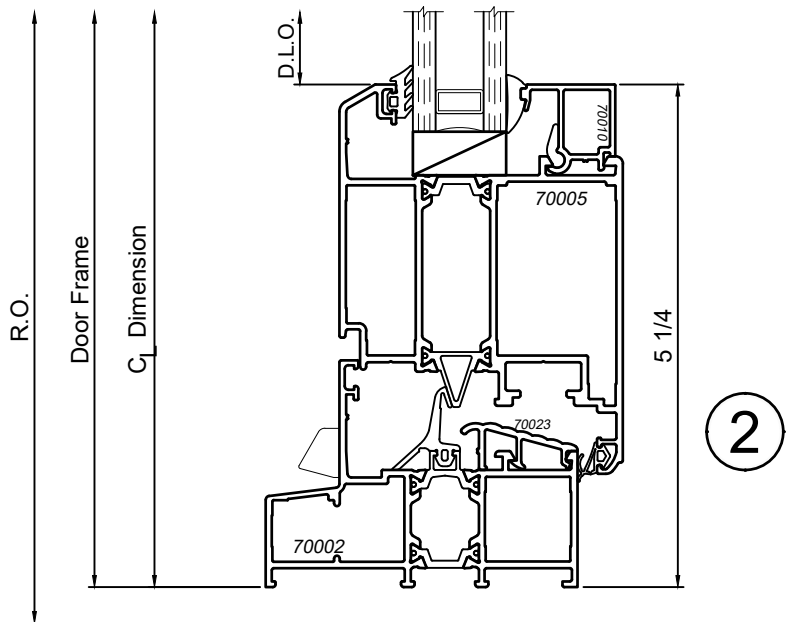
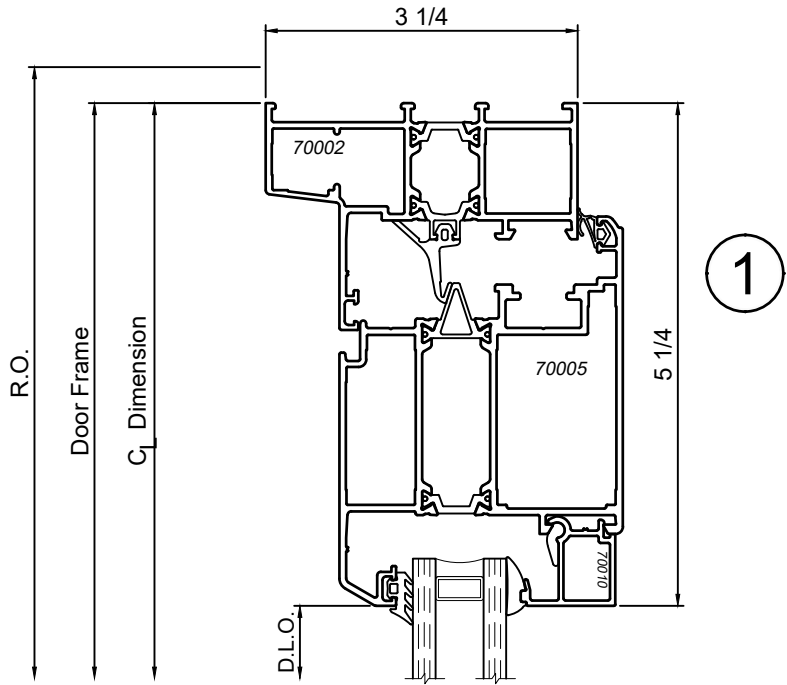
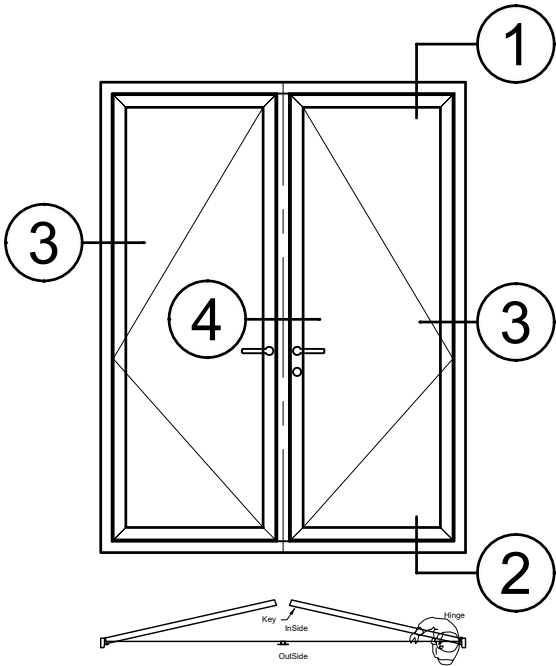
# NC-82 Series 3-1/4" Thermal Terrace Doors

## Product Details - Double Inswing Terrace Door



Note: Multiple configurations of this window system are available. Refer to the WINCO website for additional options or contact your local WINCO Sales Representative for information.

WINCO RESERVES THE RIGHT TO MODIFY OR CHANGE INFORMATION WITHIN THIS BOOK WHEN DEEMED NECESSARY FOR PRODUCT IMPROVEMENT



© WINCO WINDOW COMPANY, INC. 2026

SCALE 6"=1'-0"

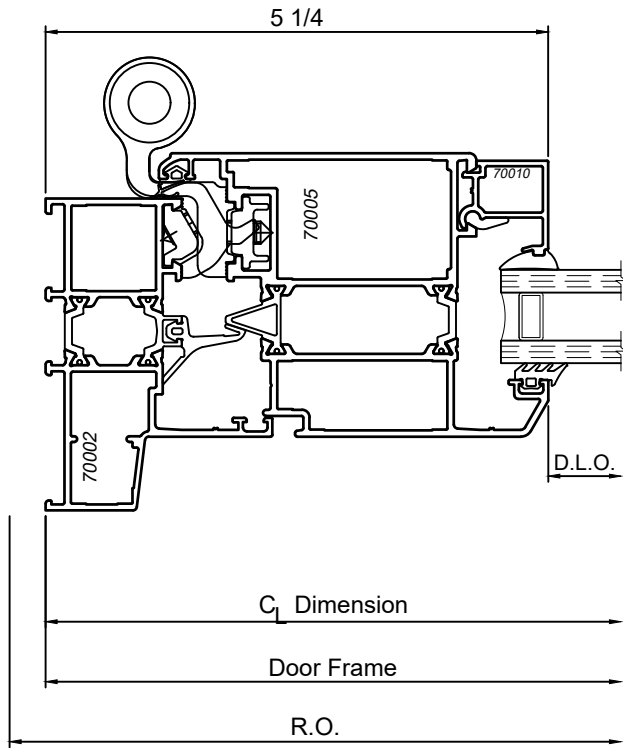
# NC-82 Series 3-1/4" Thermal Terrace Doors

## Product Details - Double Inswing Terrace Door

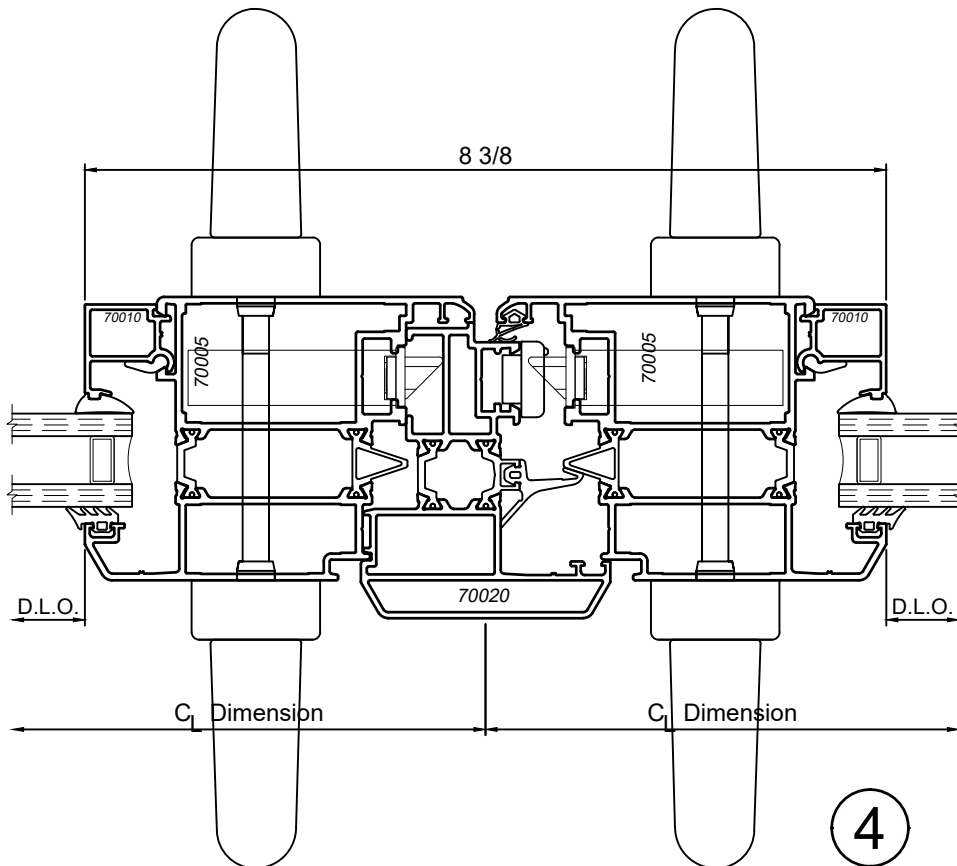


Note: Multiple configurations of this window system are available. Refer to the WINCO website for additional options or contact your local WINCO Sales Representative for information.

WINCO RESERVES THE RIGHT TO MODIFY OR CHANGE INFORMATION WITHIN THIS BOOK WHEN DEEMED NECESSARY FOR PRODUCT IMPROVEMENT



3



4

SCALE 6"=1'-0"

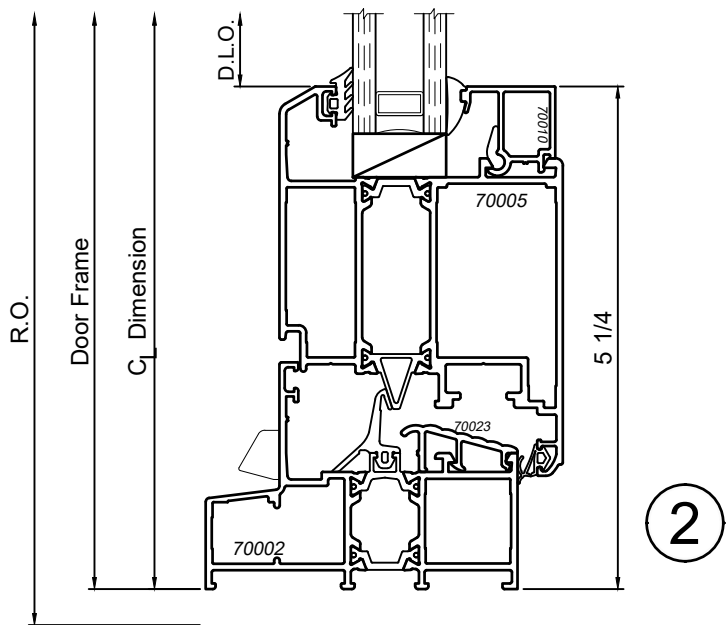
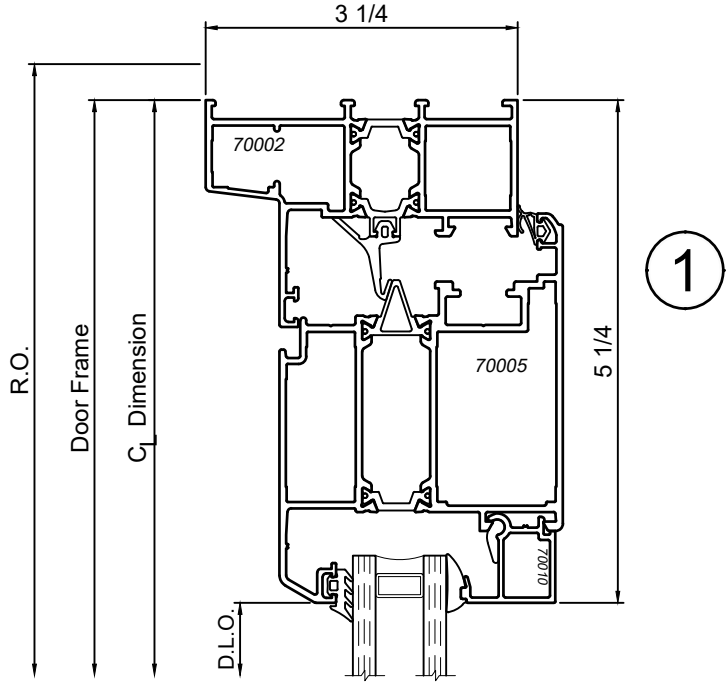
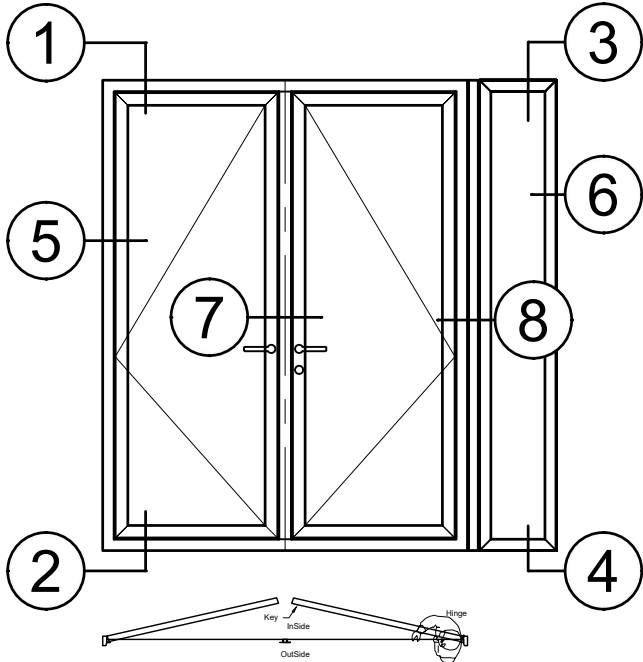
# NC-82 Series 3-1/4" Thermal Terrace Doors

## Product Details - Double Inswing Terrace Door w/ Side Lite



Note: Multiple configurations of this window system are available. Refer to the WINCO website for additional options or contact your local WINCO Sales Representative for information.

WINCO RESERVES THE RIGHT TO MODIFY OR CHANGE INFORMATION WITHIN THIS BOOK WHEN DEEMED NECESSARY FOR PRODUCT IMPROVEMENT



SCALE 6"=1'-0"

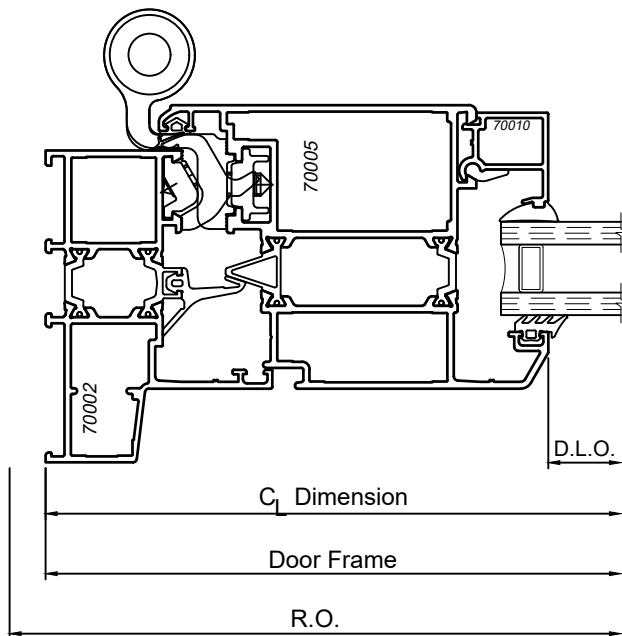
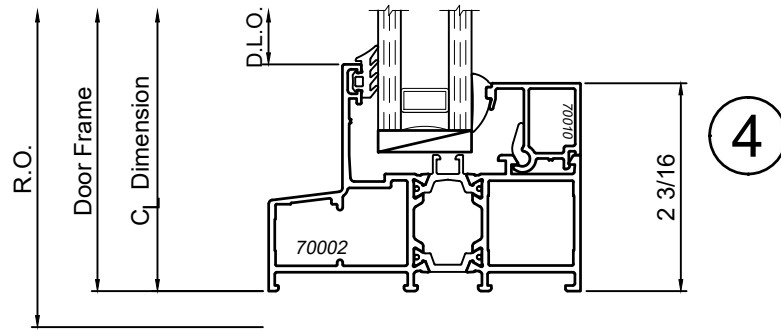
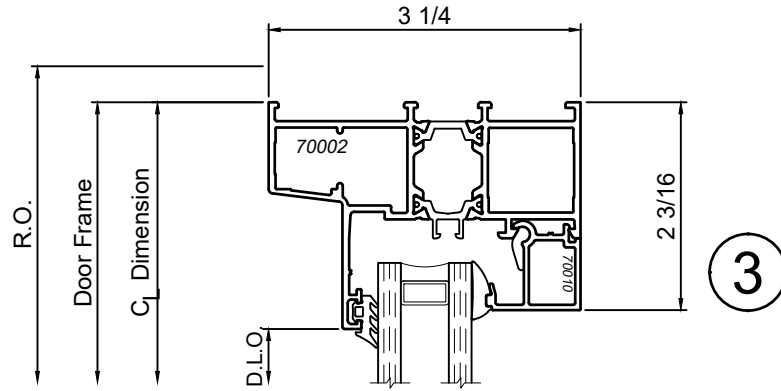
# NC-82 Series 3-1/4" Thermal Terrace Doors

## Product Details - Double Inswing Terrace Door w/ Side Lite

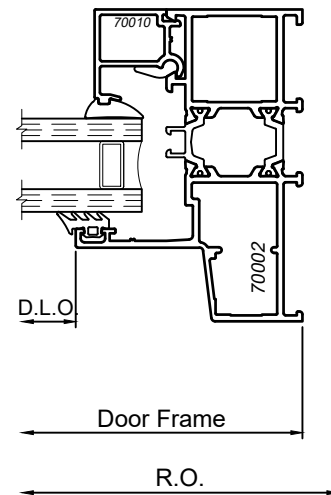


Note: Multiple configurations of this window system are available. Refer to the WINCO website for additional options or contact your local WINCO Sales Representative for information.

WINCO RESERVES THE RIGHT TO MODIFY OR CHANGE INFORMATION WITHIN THIS BOOK WHEN DEEMED NECESSARY FOR PRODUCT IMPROVEMENT



5



6

SCALE 6"=1'-0"

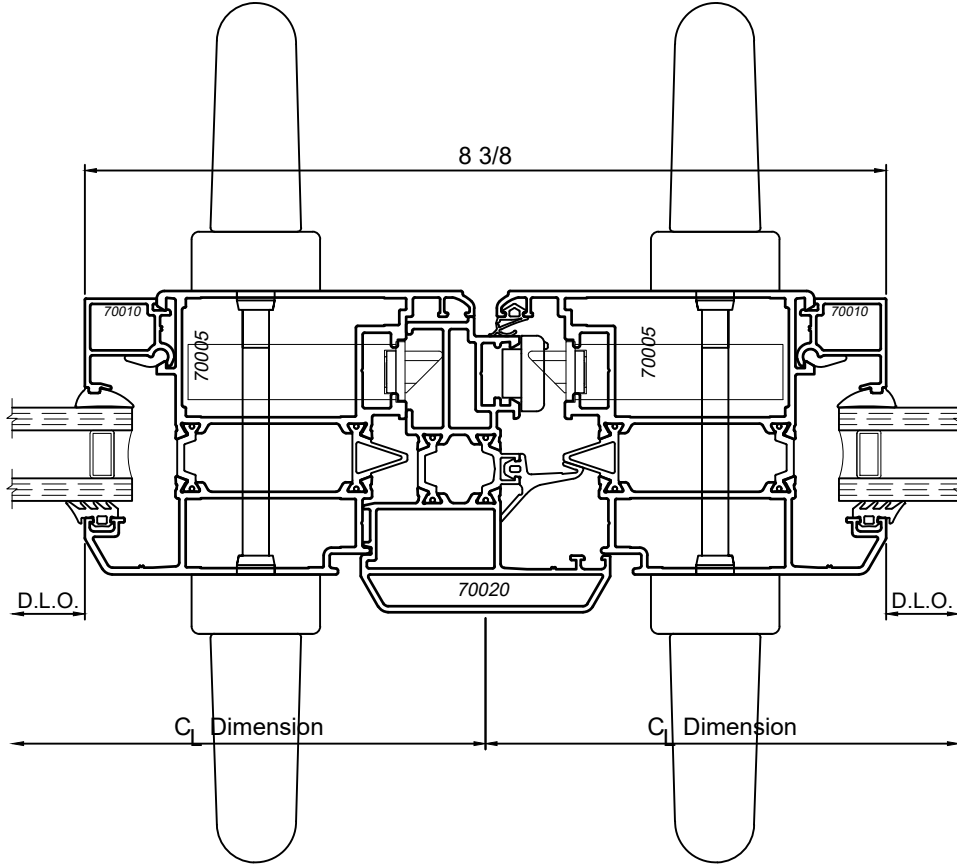
# NC-82 Series 3-1/4" Thermal Terrace Doors

## Product Details - Double Inswing Terrace Door w/ Side Lite

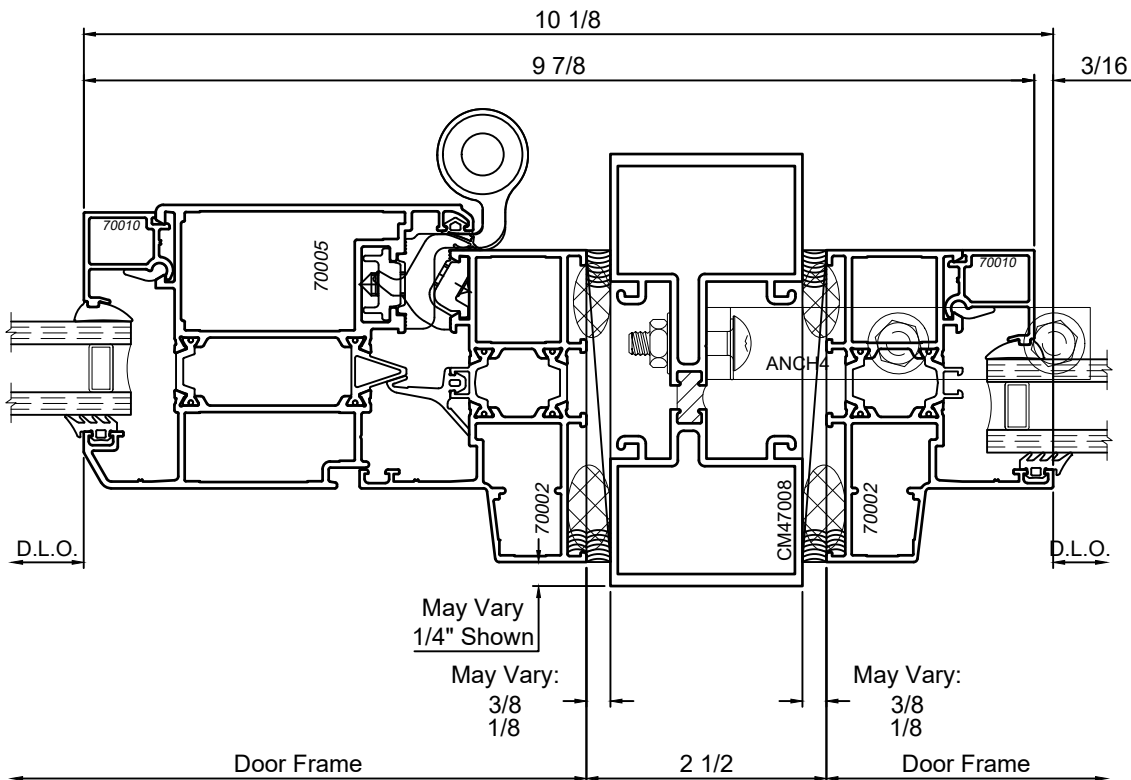


Note: Multiple configurations of this window system are available. Refer to the WINCO website for additional options or contact your local WINCO Sales Representative for information.

WINCO RESERVES THE RIGHT TO MODIFY OR CHANGE INFORMATION WITHIN THIS BOOK WHEN DEEMED NECESSARY FOR PRODUCT IMPROVEMENT



7



8

SCALE 6"=1'-0"

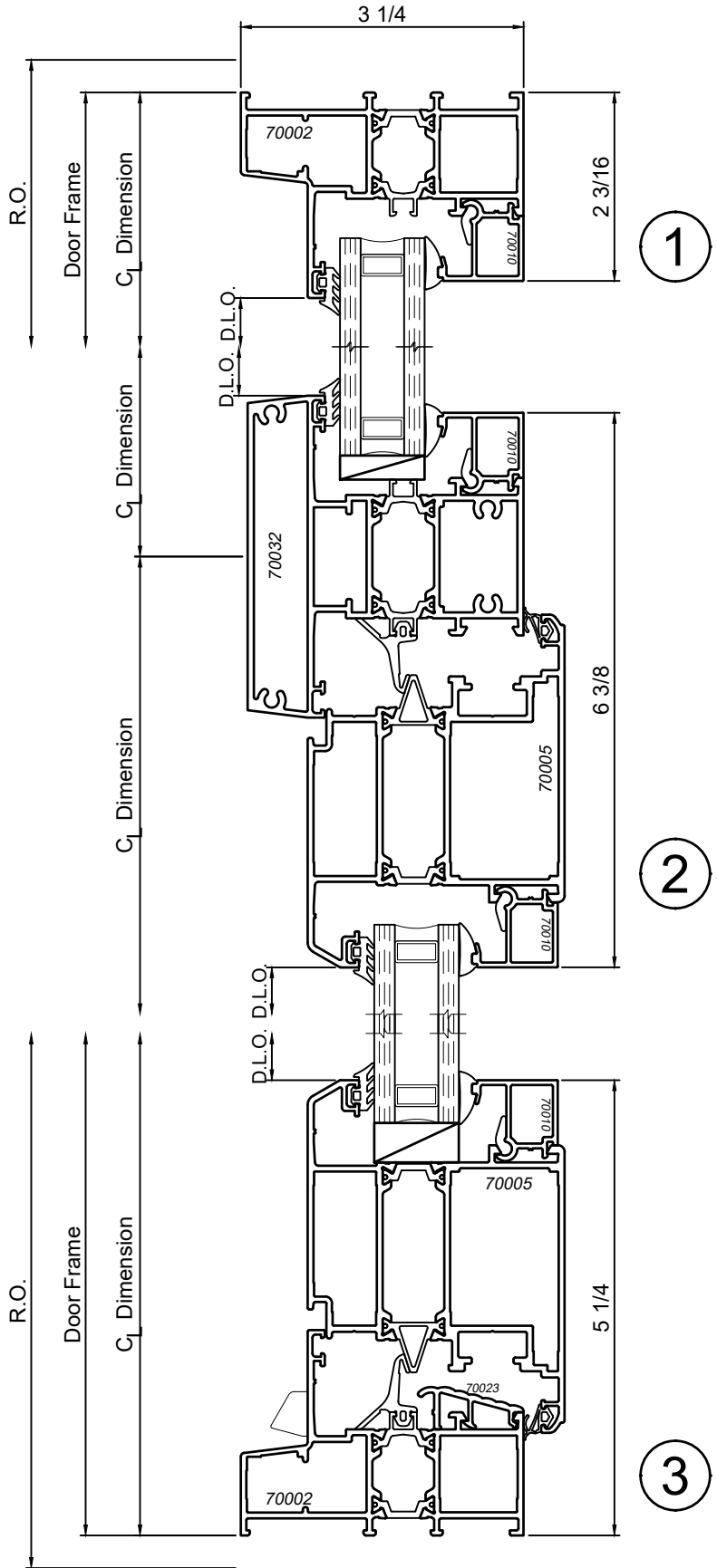
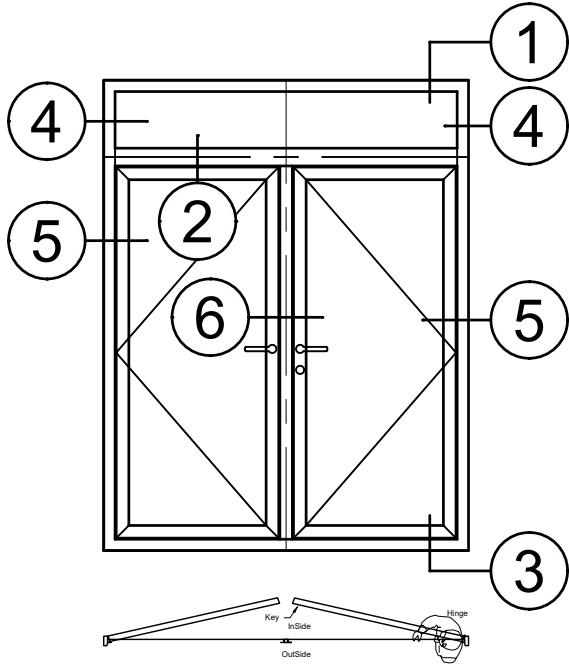
# NC-82 Series 3-1/4" Thermal Terrace Doors

## Product Details - Double Inswing Terrace Door w/ Transom



Note: Multiple configurations of this window system are available. Refer to the WINCO website for additional options or contact your local WINCO Sales Representative for information.

WINCO RESERVES THE RIGHT TO MODIFY OR CHANGE INFORMATION WITHIN THIS BOOK WHEN DEEMED NECESSARY FOR PRODUCT IMPROVEMENT



© WINCO WINDOW COMPANY, INC. 2026

SCALE 6"=1'-0"

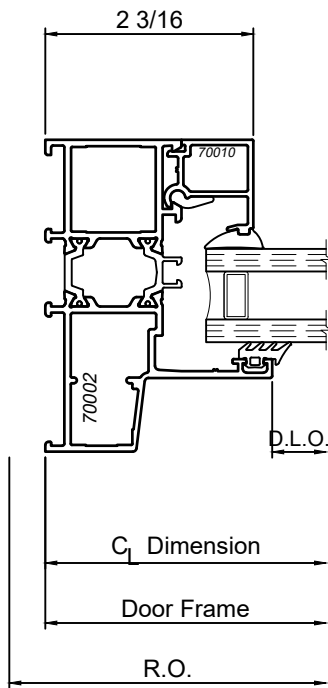
# NC-82 Series 3-1/4" Thermal Terrace Doors

## Product Details - Double Inswing Terrace Door w/ Transom

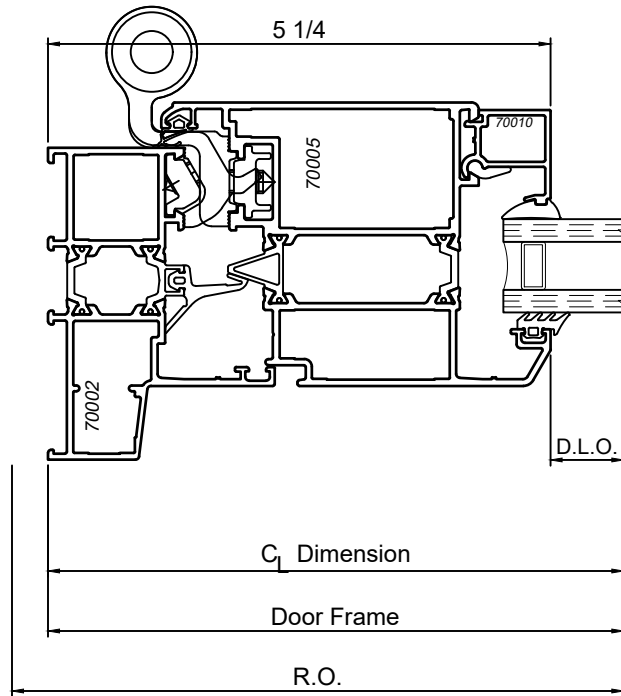


Note: Multiple configurations of this window system are available. Refer to the WINCO website for additional options or contact your local WINCO Sales Representative for information.

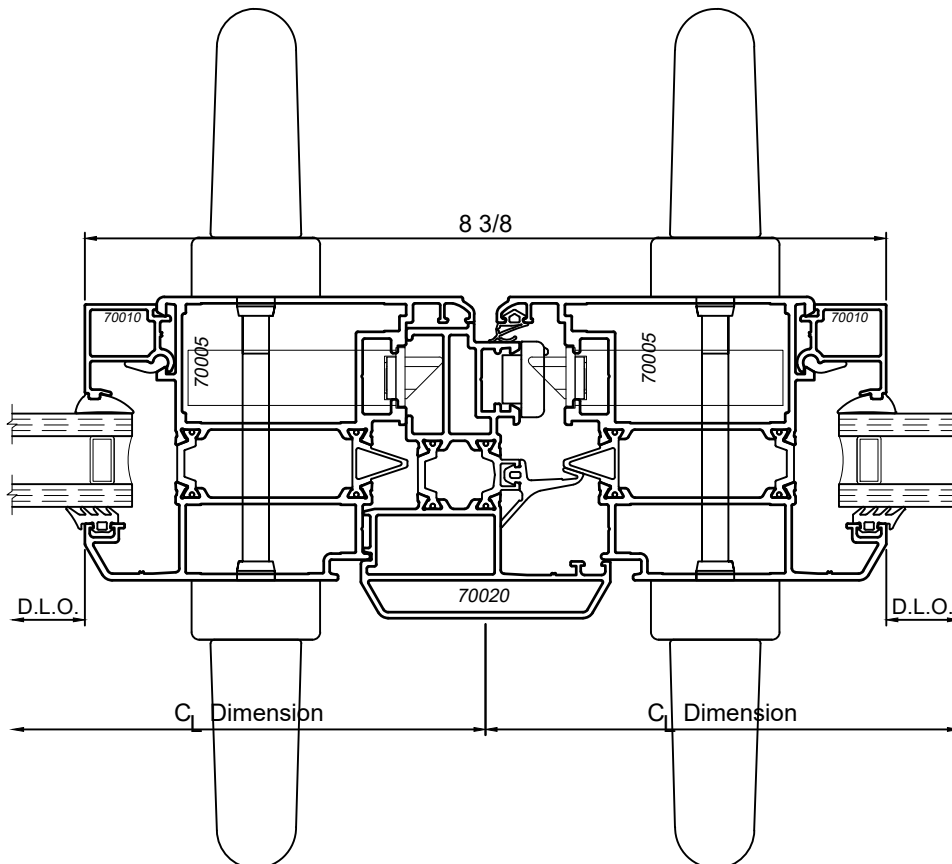
WINCO RESERVES THE RIGHT TO MODIFY OR CHANGE INFORMATION WITHIN THIS BOOK WHEN DEEMED NECESSARY FOR PRODUCT IMPROVEMENT



4



5



6

SCALE 6"=1'-0"

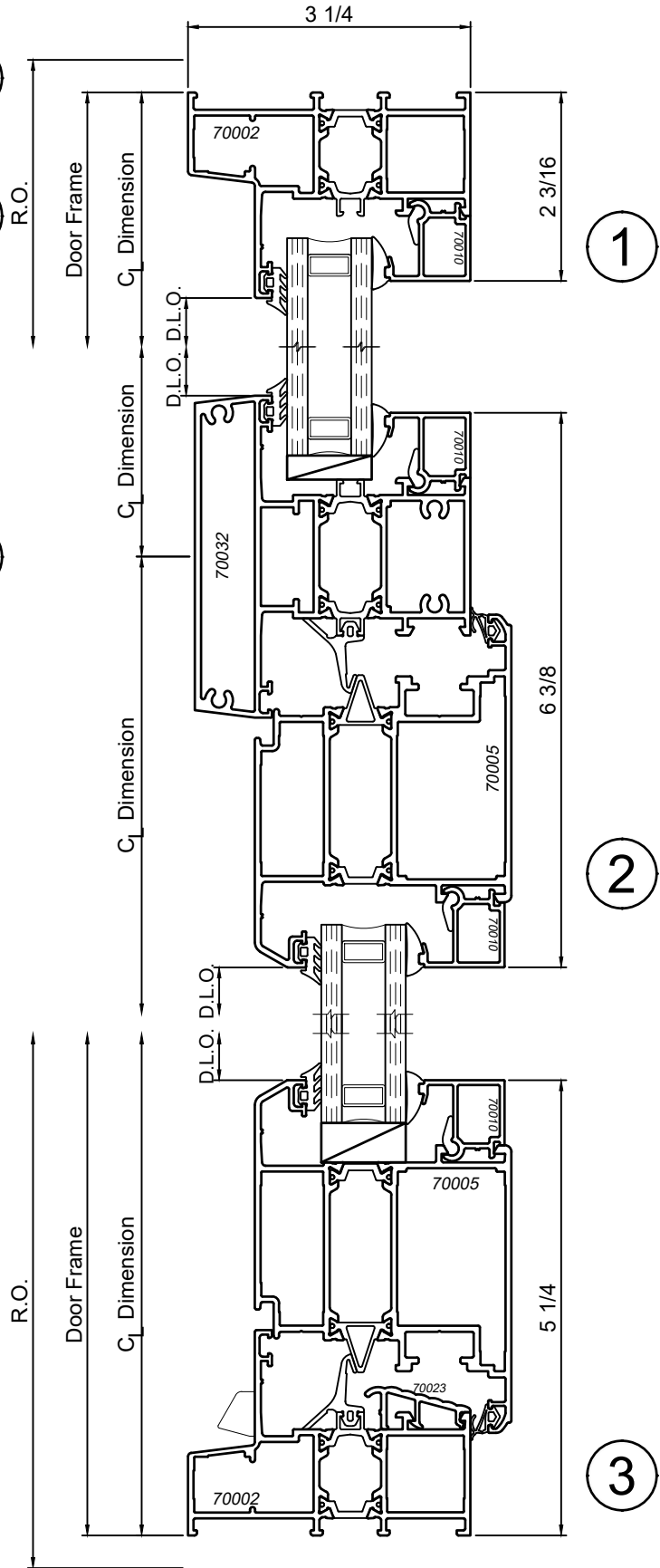
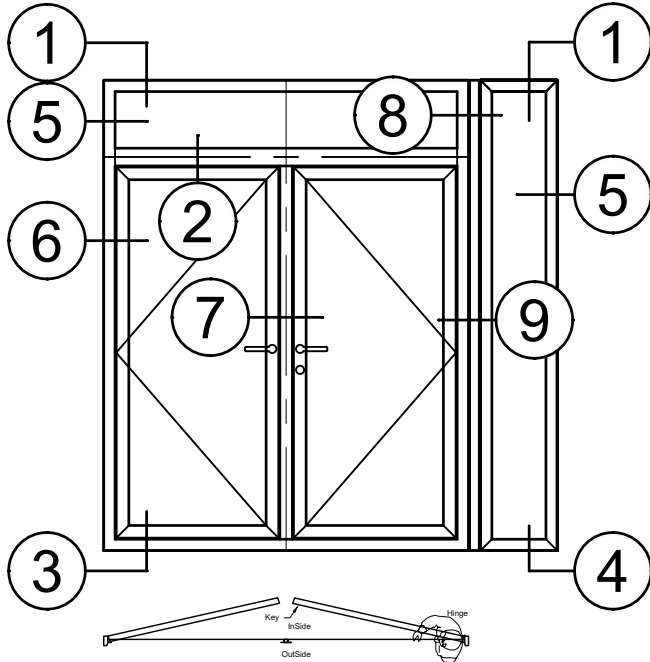
# NC-82 Series 3-1/4" Thermal Terrace Doors

## Product Details - Inswing Terrace Door w/ Side Lite and Transom

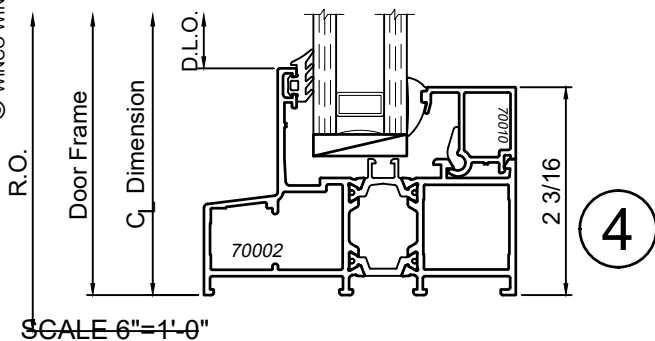


Note: Multiple configurations of this window system are available. Refer to the WINCO website for additional options or contact your local WINCO Sales Representative for information.

WINCO RESERVES THE RIGHT TO MODIFY OR CHANGE INFORMATION WITHIN THIS BOOK WHEN DEEMED NECESSARY FOR PRODUCT IMPROVEMENT



© WINCO WINDOW COMPANY, INC. 2026



SCALE 6"=1'-0"

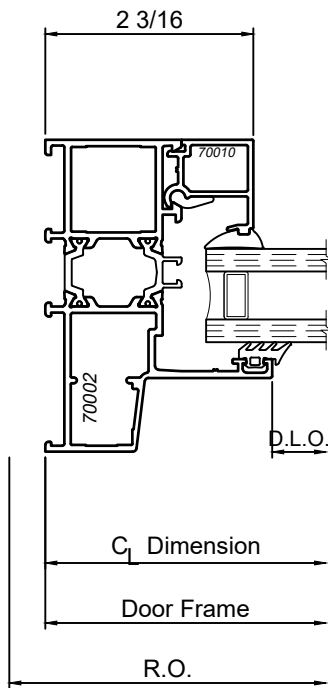
# NC-82 Series 3-1/4" Thermal Terrace Doors

## Product Details - Inswing Terrace Door w/ Side Lite and Transom

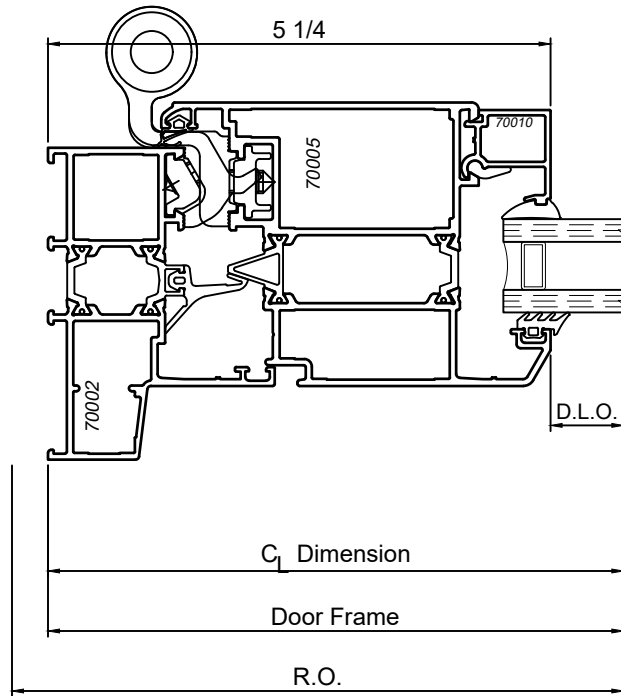


Note: Multiple configurations of this window system are available. Refer to the WINCO website for additional options or contact your local WINCO Sales Representative for information.

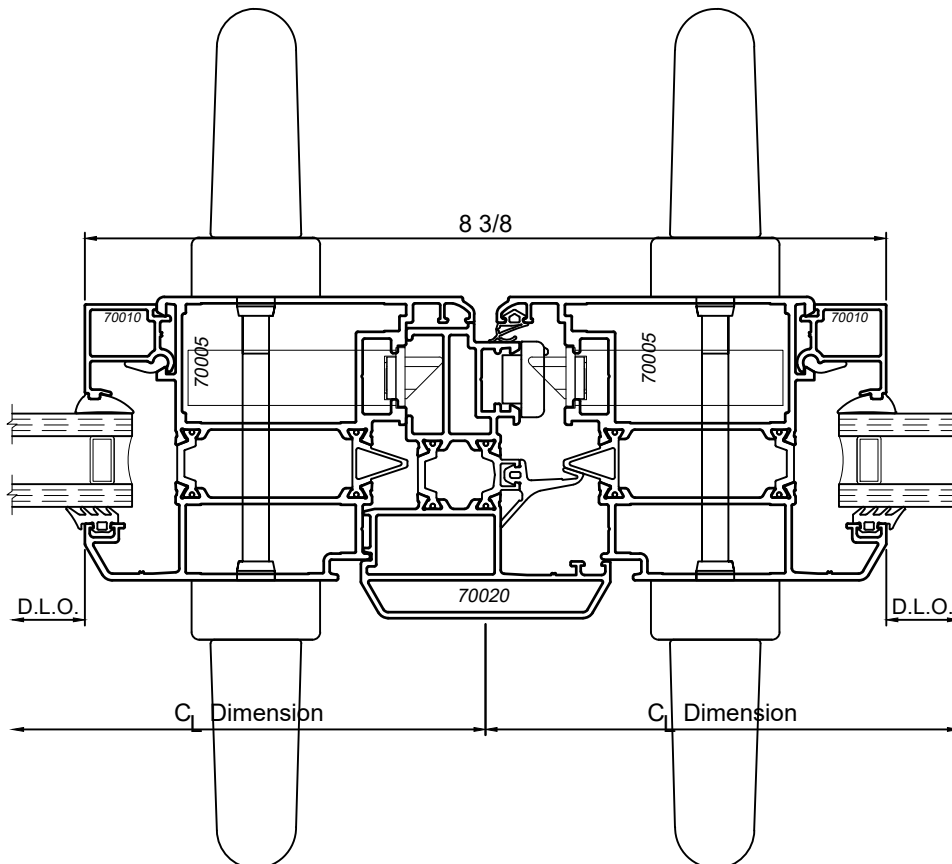
WINCO RESERVES THE RIGHT TO MODIFY OR CHANGE INFORMATION WITHIN THIS BOOK WHEN DEEMED NECESSARY FOR PRODUCT IMPROVEMENT



5



6



7

SCALE 6"=1'-0"

© WINCO WINDOW COMPANY, INC. 2026

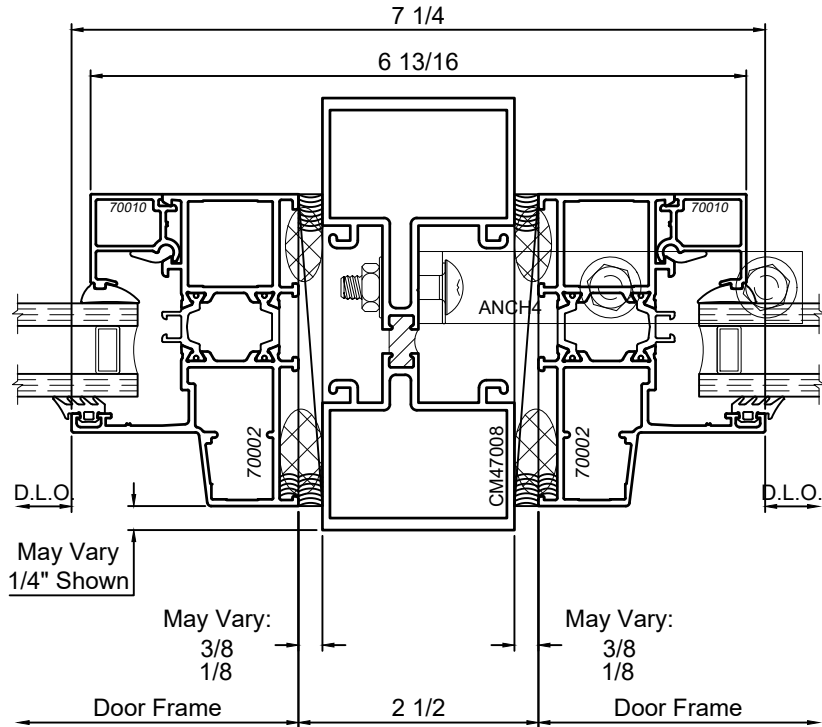
# NC-82 Series 3-1/4" Thermal Terrace Doors

## Product Details - Inswing Terrace Door w/ Side Lite and Transom

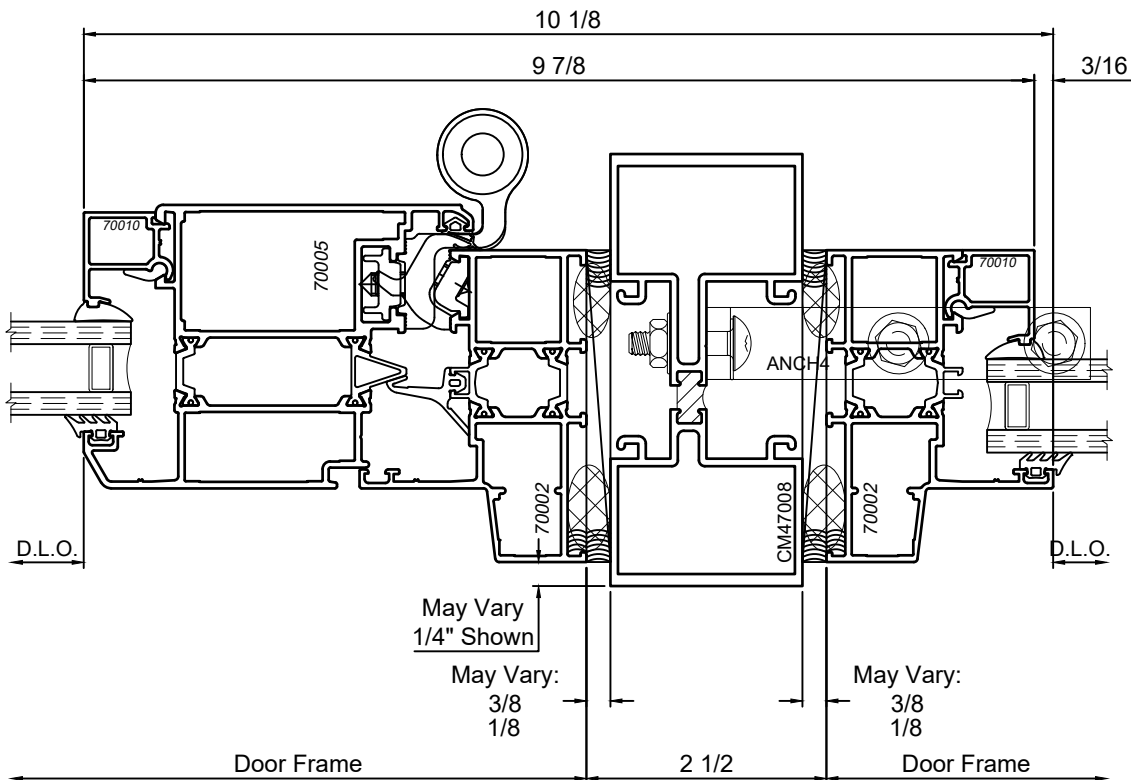


Note: Multiple configurations of this window system are available. Refer to the WINCO website for additional options or contact your local WINCO Sales Representative for information.

WINCO RESERVES THE RIGHT TO MODIFY OR CHANGE INFORMATION WITHIN THIS BOOK WHEN DEEMED NECESSARY FOR PRODUCT IMPROVEMENT



8



9

SCALE 6"=1'-0"

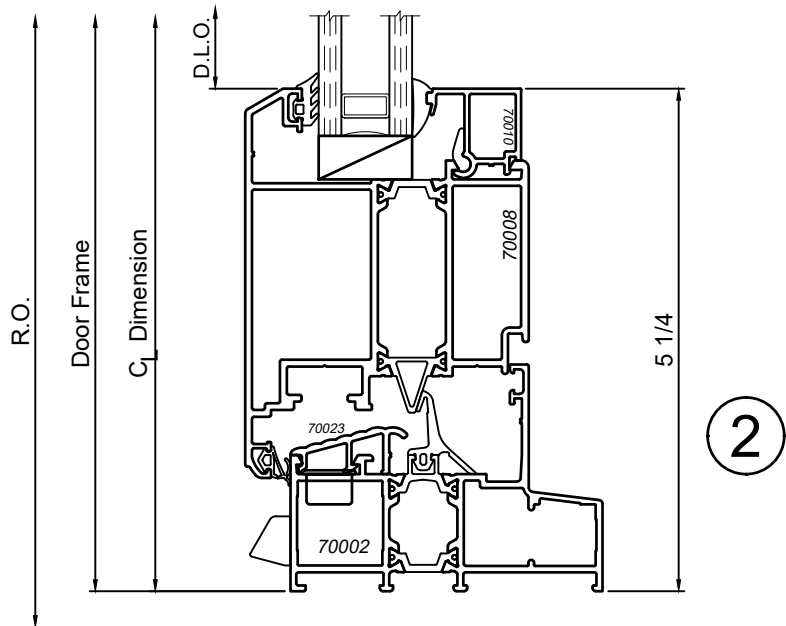
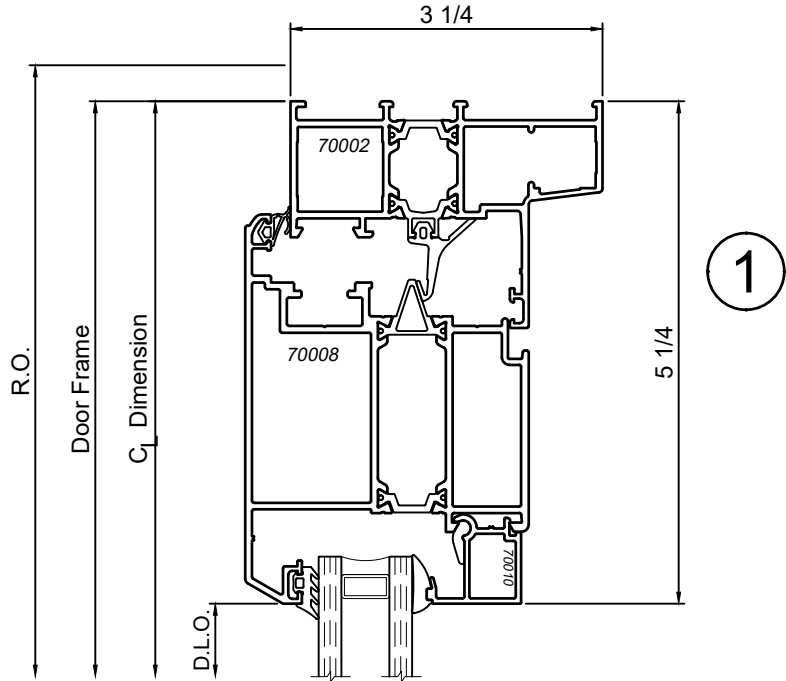
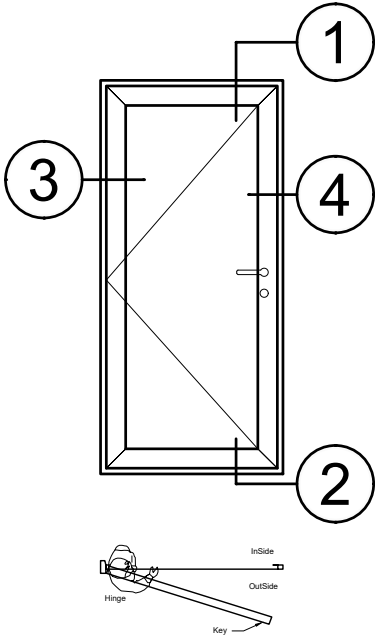
# NC-82 Series 3-1/4" Thermal Terrace Doors

## Product Details - Outswing Terrace Door



Note: Multiple configurations of this window system are available. Refer to the WINCO website for additional options or contact your local WINCO Sales Representative for information.

WINCO RESERVES THE RIGHT TO MODIFY OR CHANGE INFORMATION WITHIN THIS BOOK WHEN DEEMED NECESSARY FOR PRODUCT IMPROVEMENT



SCALE 6"=1'-0"

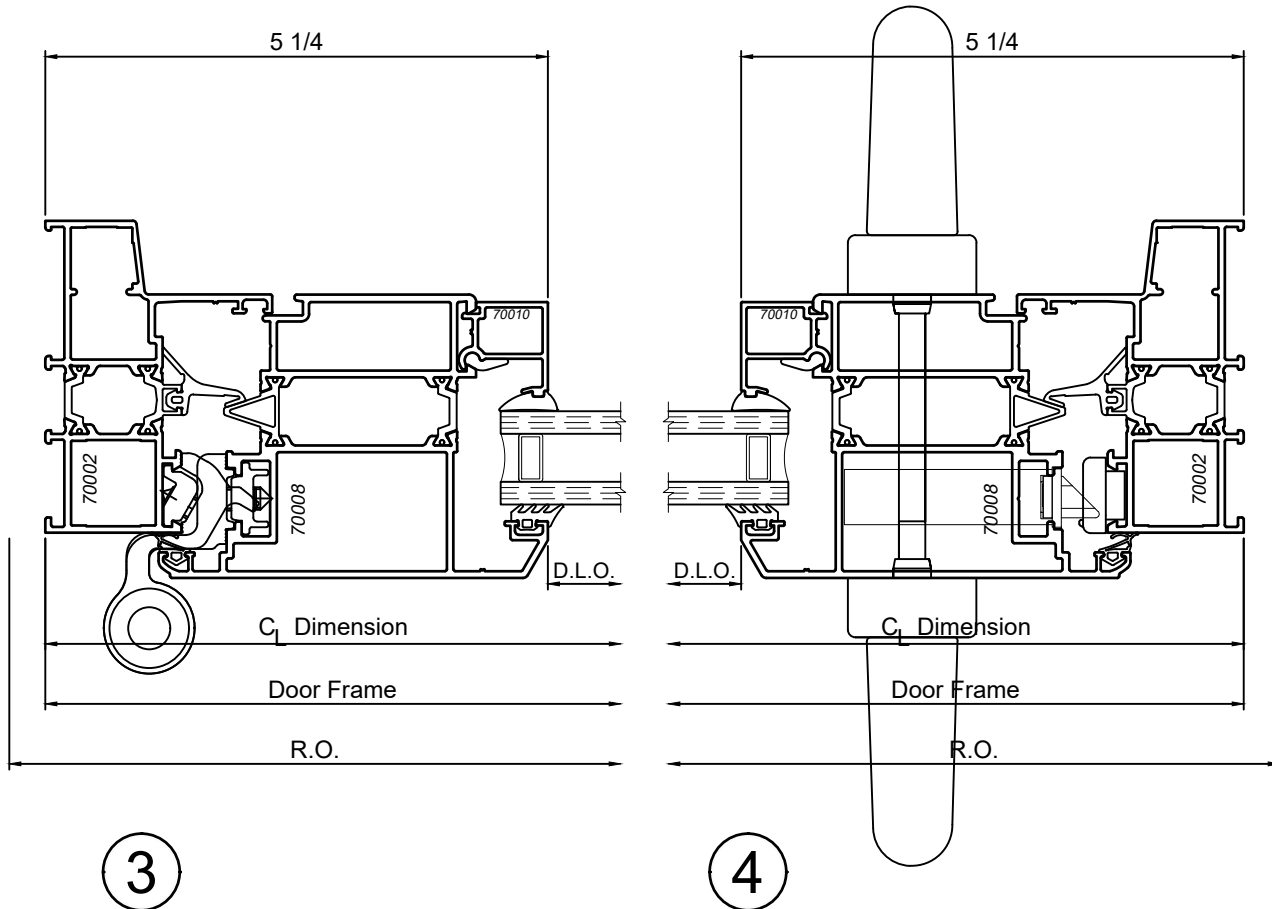
# NC-82 Series 3-1/4" Thermal Terrace Doors

## Product Details - Outswing Terrace Door



Note: Multiple configurations of this window system are available. Refer to the WINCO website for additional options or contact your local WINCO Sales Representative for information.

WINCO RESERVES THE RIGHT TO MODIFY OR CHANGE INFORMATION WITHIN THIS BOOK WHEN DEEMED NECESSARY FOR PRODUCT IMPROVEMENT



© WINCO WINDOW COMPANY, INC. 2026

SCALE 6"=1'-0"

# NC-82 Series 3-1/4" Thermal Terrace Doors

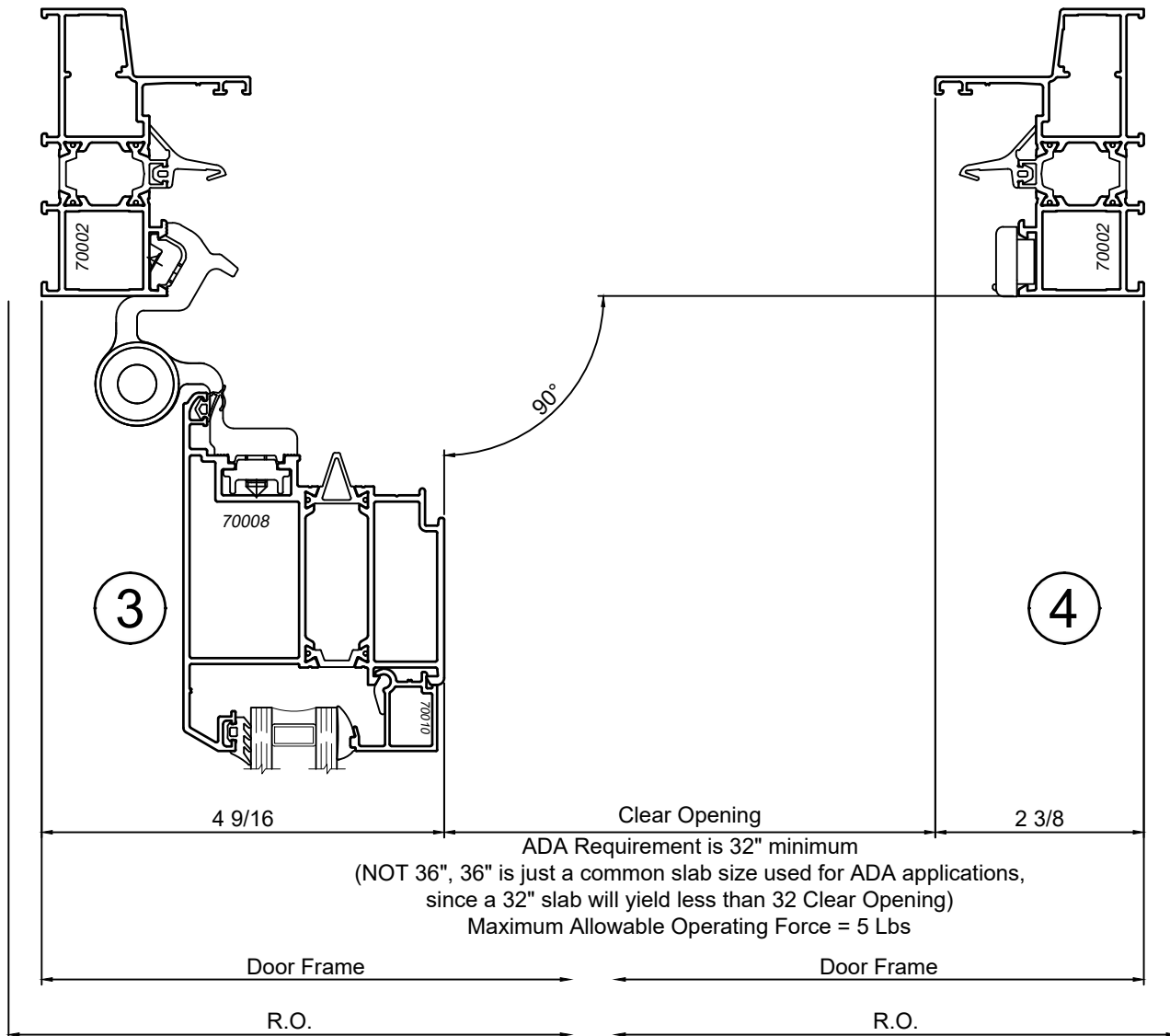
## Product Details - Outswing Terrace Door - ADA Rule



Note: Multiple configurations of this window system are available. Refer to the WINCO website for additional options or contact your local WINCO Sales Representative for information.

WINCO RESERVES THE RIGHT TO MODIFY OR CHANGE INFORMATION WITHIN THIS BOOK WHEN DEEMED NECESSARY FOR PRODUCT IMPROVEMENT

When a project specifies minimum 36" clear opening, the NC-82 Door Frame size needs to be 43" wide.  
 If the project just specifies "ADA compliance, a 39" wide NC-82 frame can be used since the ADA clear opening requirement is 32" as measured from the door slab at 90°.



© WINCO WINDOW COMPANY, INC. 2026

SCALE 6"=1'-0"

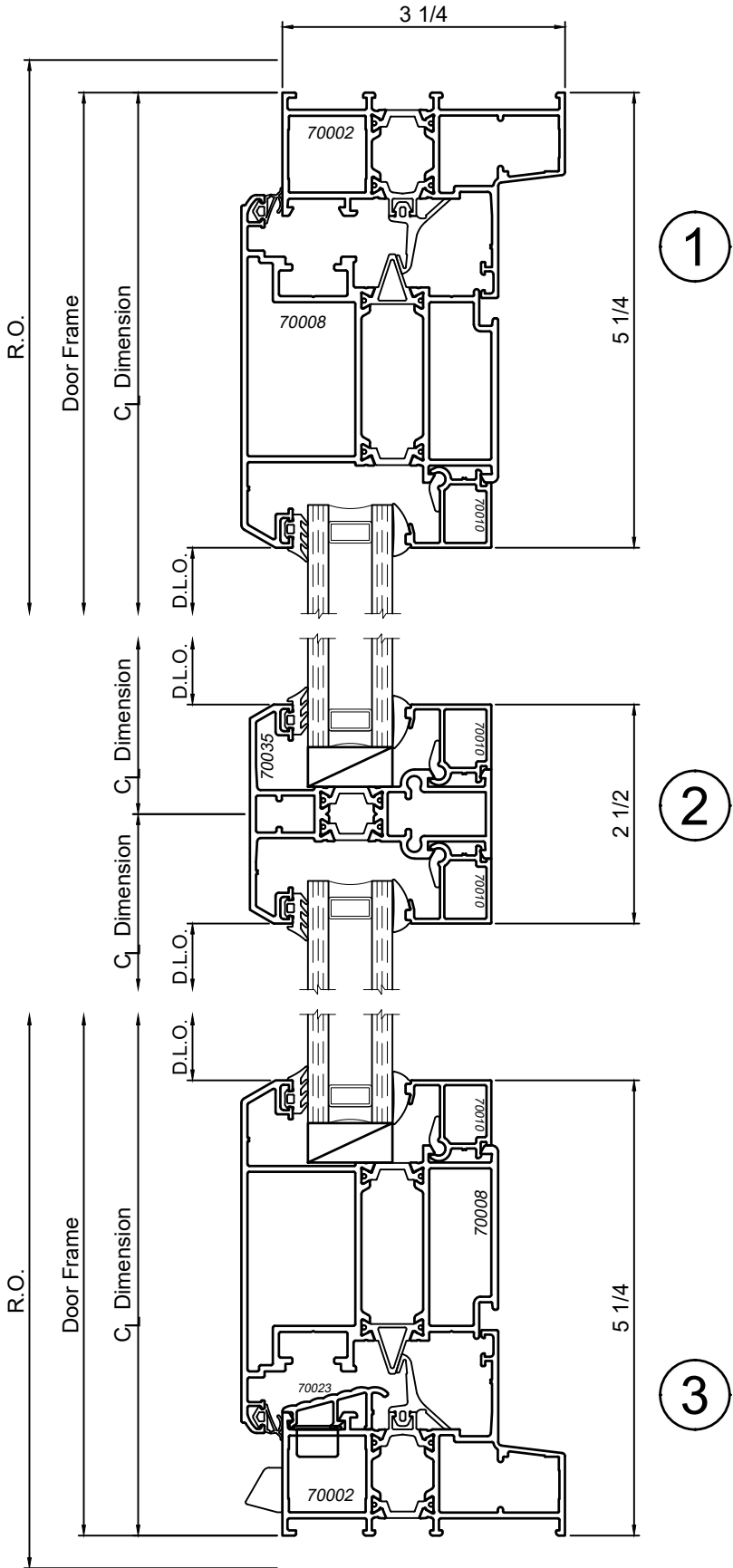
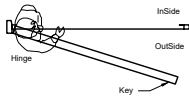
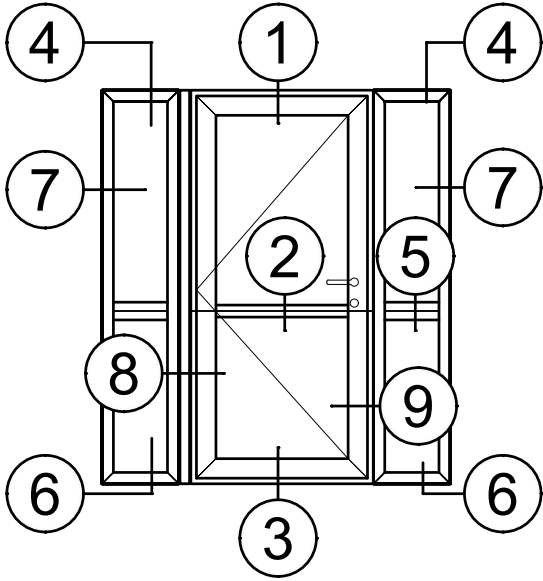
# NC-82 Series 3-1/4" Thermal Terrace Doors

## Product Details - Outswing Terrace Door w/ Side Lite



Note: Multiple configurations of this window system are available. Refer to the WINCO website for additional options or contact your local WINCO Sales Representative for information.

WINCO RESERVES THE RIGHT TO MODIFY OR CHANGE INFORMATION WITHIN THIS BOOK WHEN DEEMED NECESSARY FOR PRODUCT IMPROVEMENT



© WINCO WINDOW COMPANY, INC. 2026

SCALE 6"=1'-0"

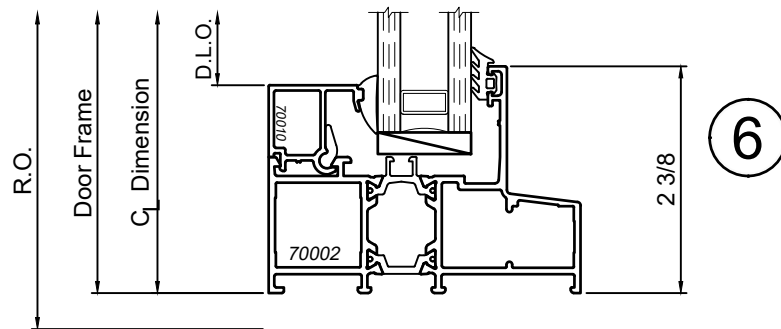
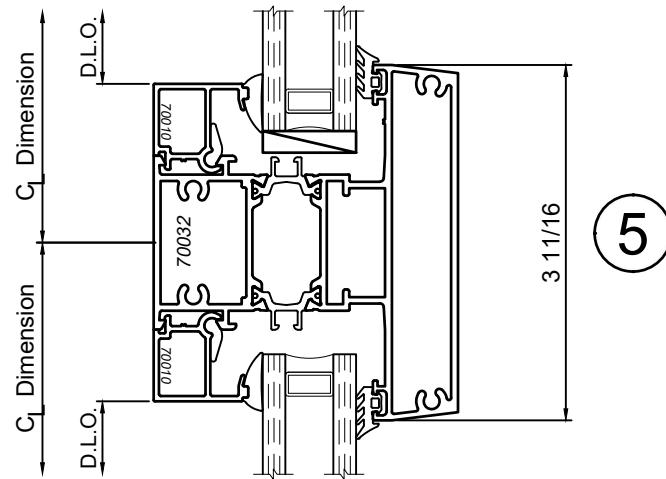
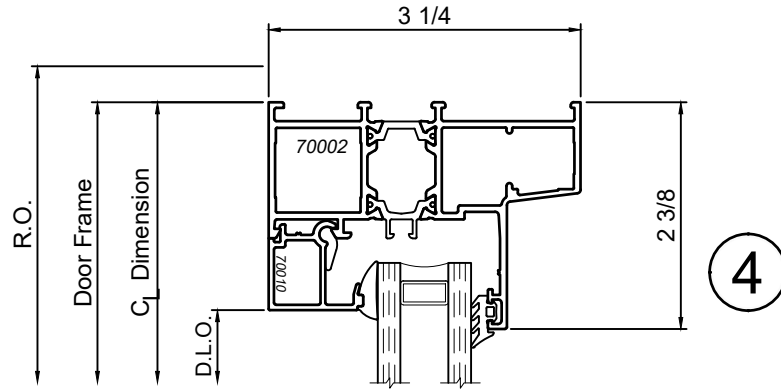
# NC-82 Series 3-1/4" Thermal Terrace Doors

## Product Details - Outswing Terrace Door w/ Side Lite



Note: Multiple configurations of this window system are available. Refer to the WINCO website for additional options or contact your local WINCO Sales Representative for information.

WINCO RESERVES THE RIGHT TO MODIFY OR CHANGE INFORMATION WITHIN THIS BOOK WHEN DEEMED NECESSARY FOR PRODUCT IMPROVEMENT



SCALE 6"=1'-0"

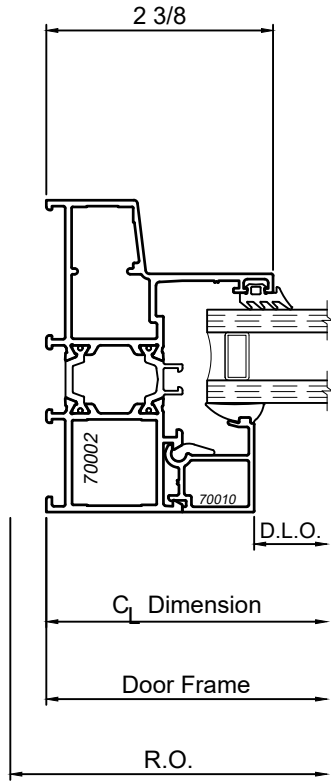
# NC-82 Series 3-1/4" Thermal Terrace Doors

## Product Details - Outswing Terrace Door w/ Side Lite

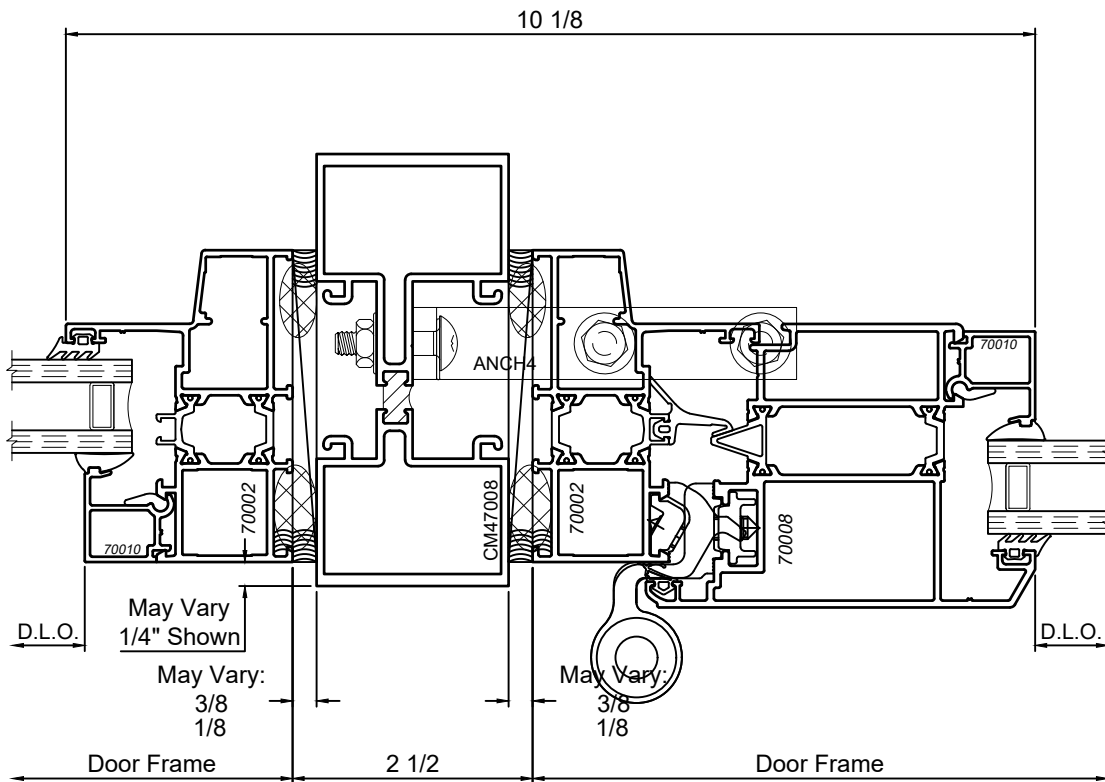


Note: Multiple configurations of this window system are available. Refer to the WINCO website for additional options or contact your local WINCO Sales Representative for information.

WINCO RESERVES THE RIGHT TO MODIFY OR CHANGE INFORMATION WITHIN THIS BOOK WHEN DEEMED NECESSARY FOR PRODUCT IMPROVEMENT



7



8

SCALE 6"=1'-0"

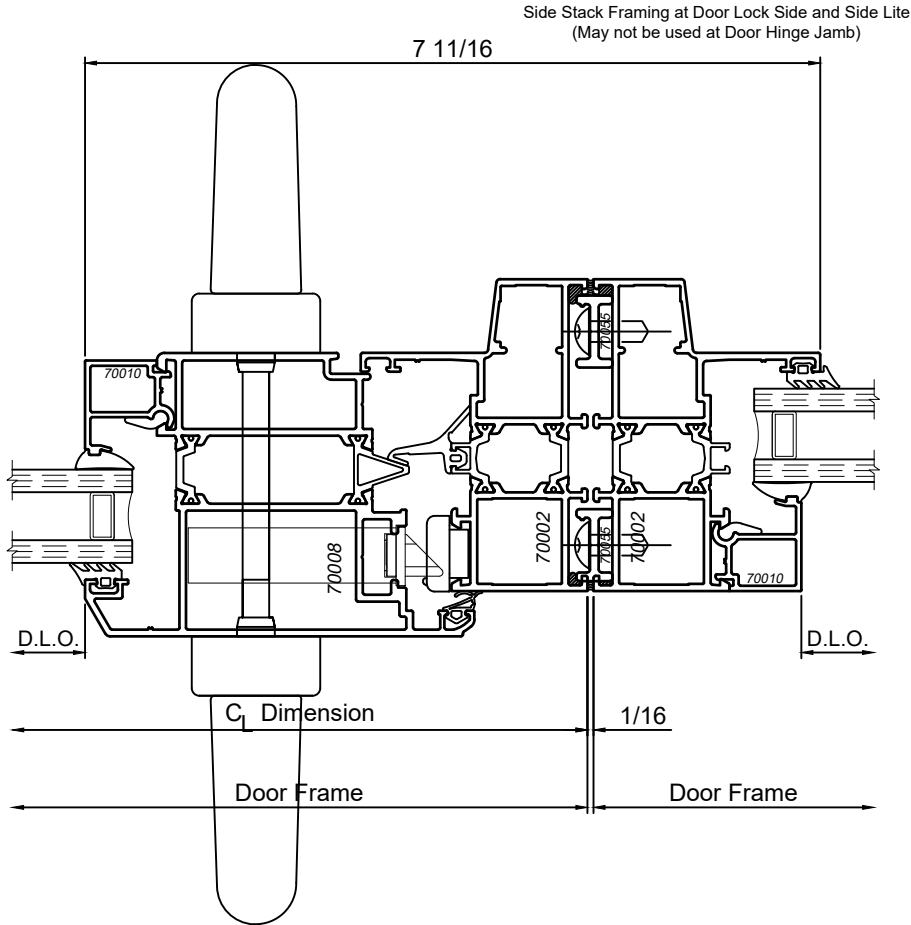
# NC-82 Series 3-1/4" Thermal Terrace Doors

## Product Details - Outswing Terrace Door w/ Side Lite



Note: Multiple configurations of this window system are available. Refer to the WINCO website for additional options or contact your local WINCO Sales Representative for information.

WINCO RESERVES THE RIGHT TO MODIFY OR CHANGE INFORMATION WITHIN THIS BOOK WHEN DEEMED NECESSARY FOR PRODUCT IMPROVEMENT



9

© WINCO WINDOW COMPANY, INC. 2026

SCALE 6"=1'-0"

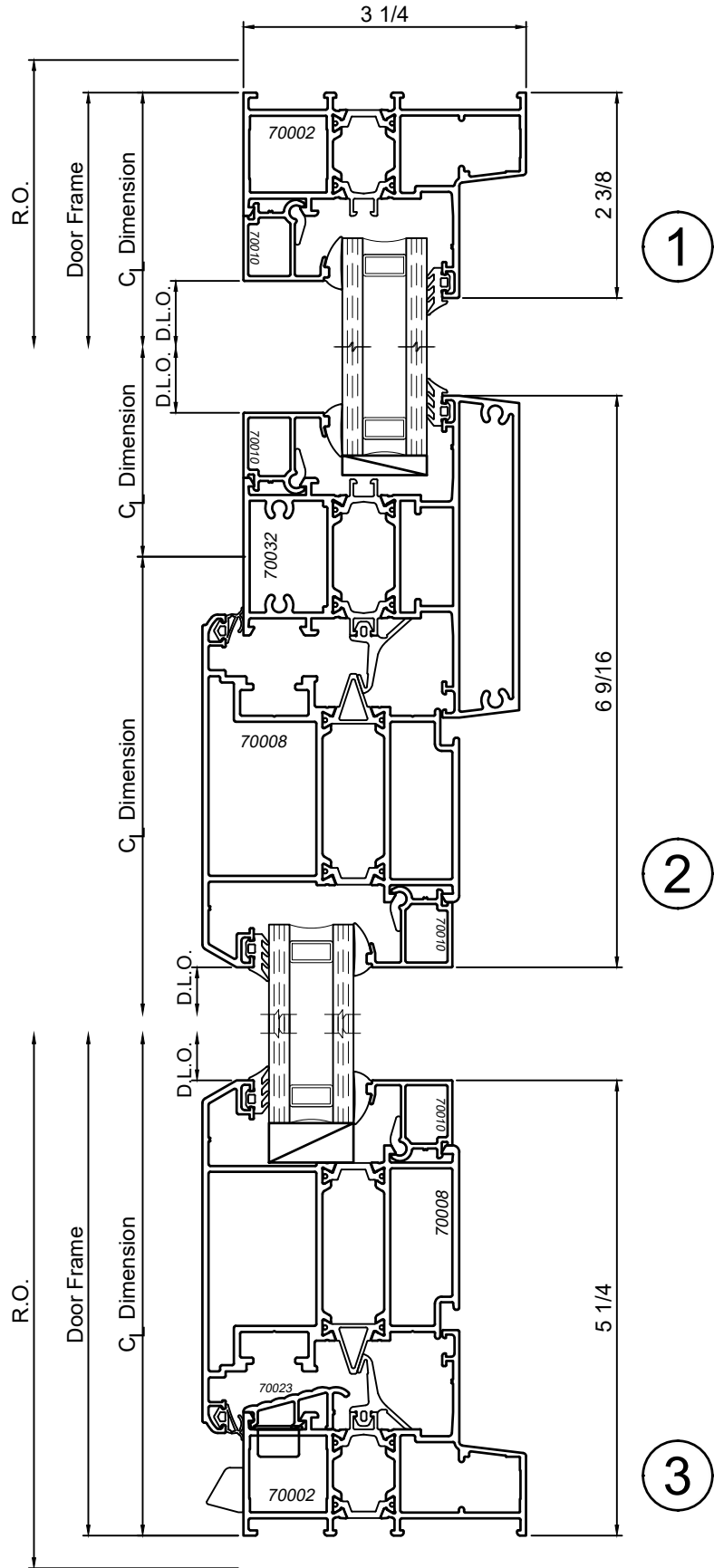
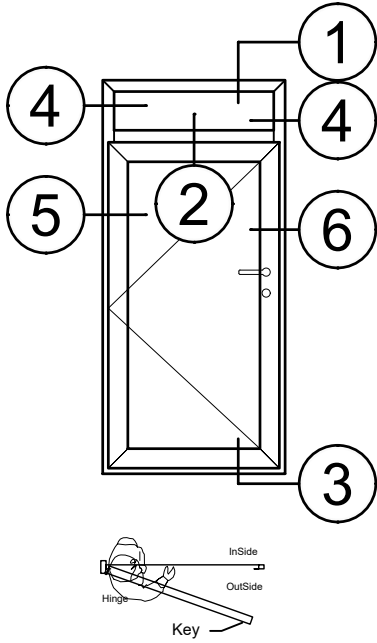
# NC-82 Series 3-1/4" Thermal Terrace Doors

## Product Details - Outswing Terrace Door w/ Transom



Note: Multiple configurations of this window system are available. Refer to the WINCO website for additional options or contact your local WINCO Sales Representative for information.

WINCO RESERVES THE RIGHT TO MODIFY OR CHANGE INFORMATION WITHIN THIS BOOK WHEN DEEMED NECESSARY FOR PRODUCT IMPROVEMENT



© WINCO WINDOW COMPANY, INC. 2026

SCALE 6"=1'-0"

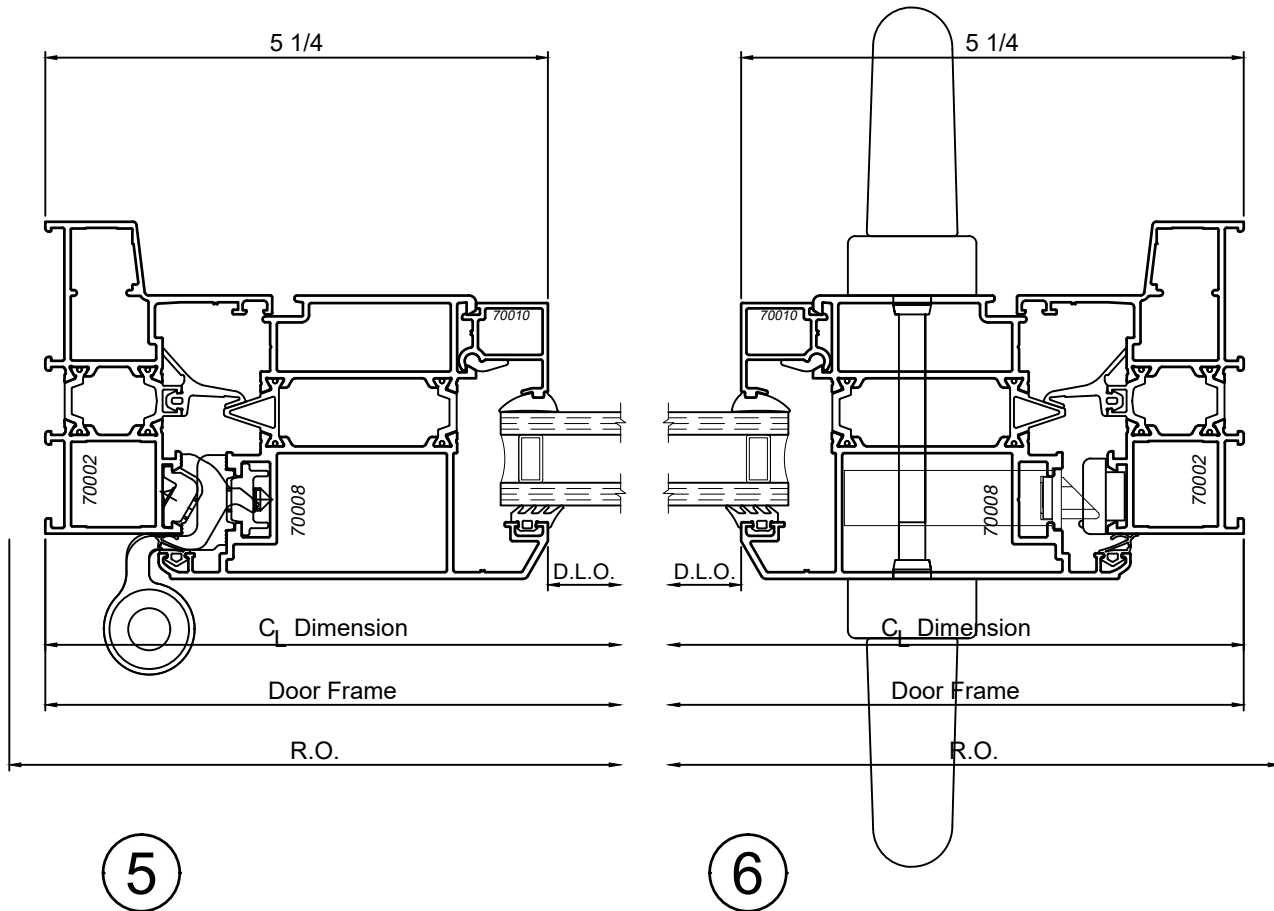
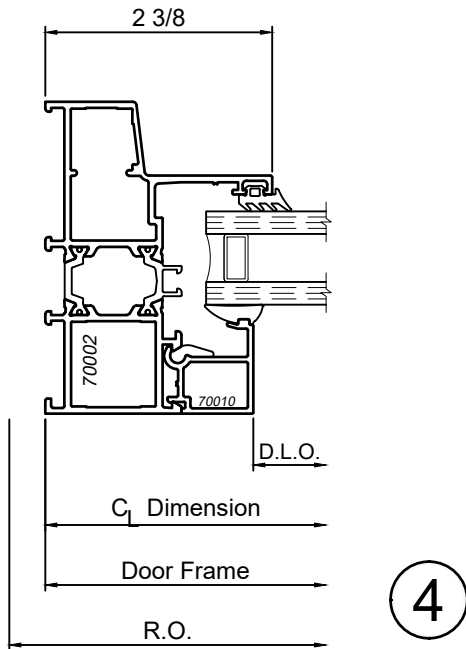
# NC-82 Series 3-1/4" Thermal Terrace Doors

## Product Details - Outswing Terrace Door w/ Transom



Note: Multiple configurations of this window system are available. Refer to the WINCO website for additional options or contact your local WINCO Sales Representative for information.

WINCO RESERVES THE RIGHT TO MODIFY OR CHANGE INFORMATION WITHIN THIS BOOK WHEN DEEMED NECESSARY FOR PRODUCT IMPROVEMENT



© WINCO WINDOW COMPANY, INC. 2026

SCALE 6"=1'-0"

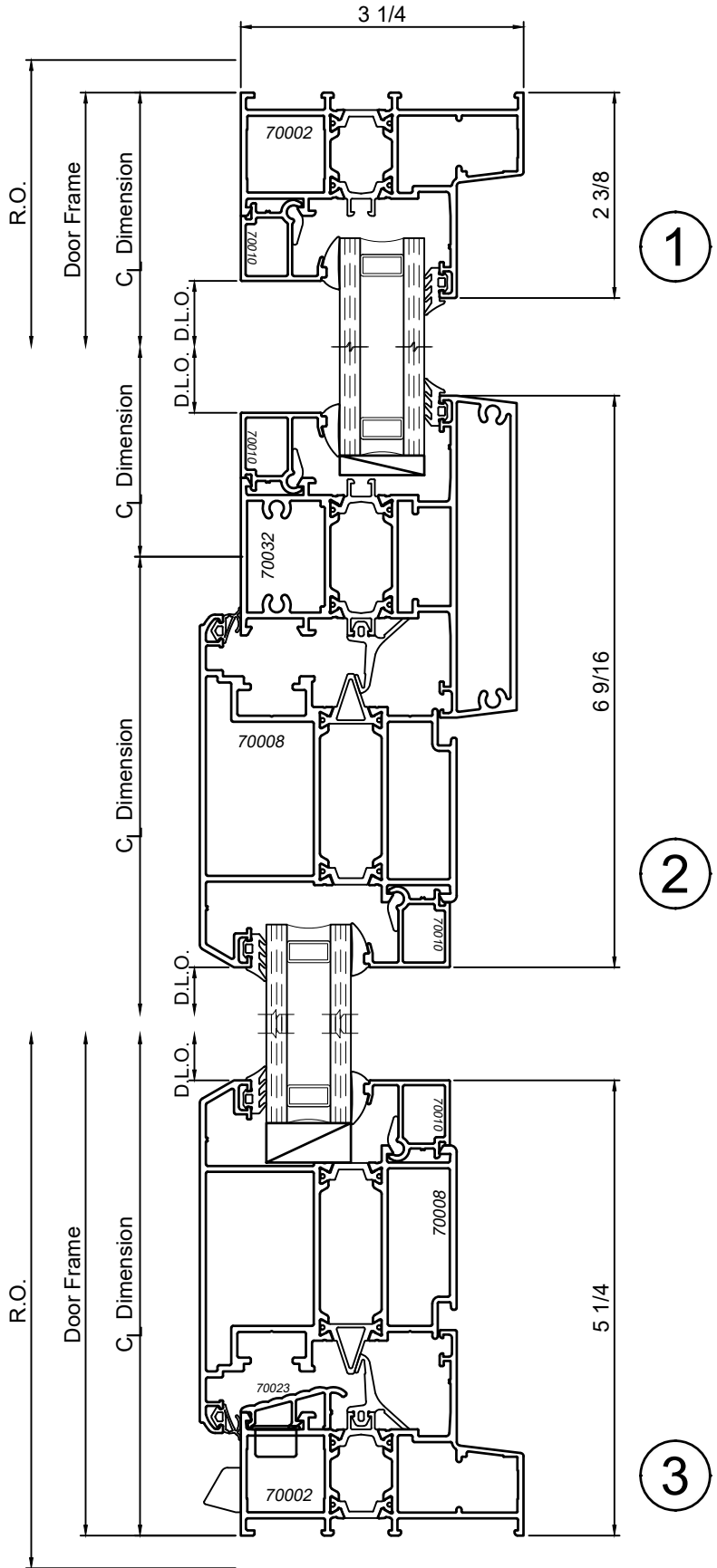
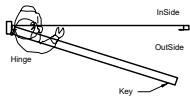
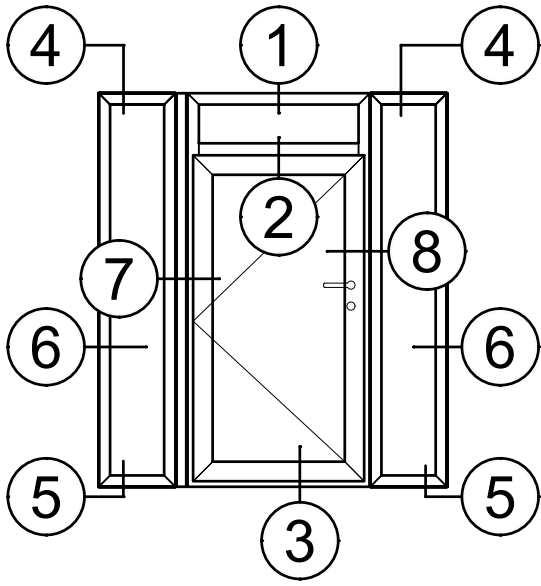
# NC-82 Series 3-1/4" Thermal Terrace Doors

## Product Details - Outswing Terrace Door w/ Transom



Note: Multiple configurations of this window system are available. Refer to the WINCO website for additional options or contact your local WINCO Sales Representative for information.

WINCO RESERVES THE RIGHT TO MODIFY OR CHANGE INFORMATION WITHIN THIS BOOK WHEN DEEMED NECESSARY FOR PRODUCT IMPROVEMENT



SCALE 6"=1'-0"

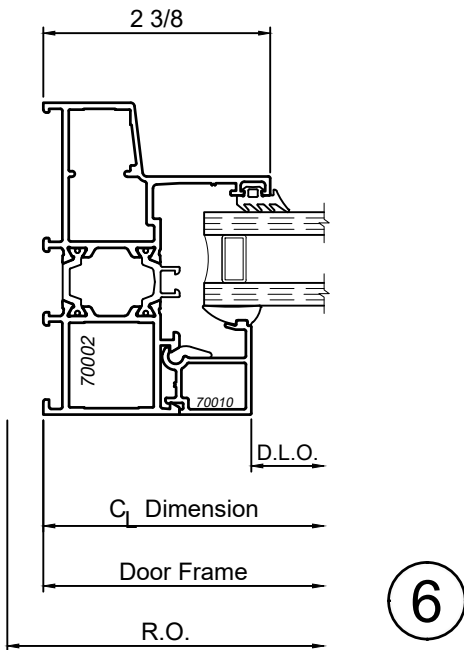
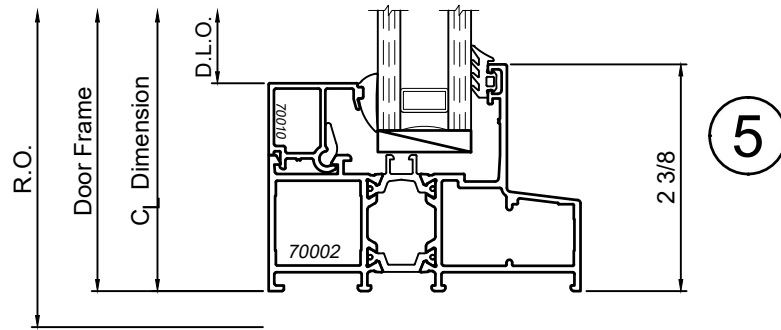
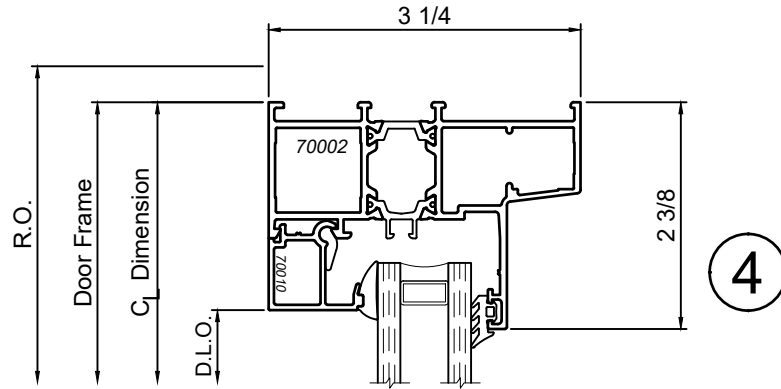
# NC-82 Series 3-1/4" Thermal Terrace Doors

## Product Details - Outswing Terrace Door w/ Transom



Note: Multiple configurations of this window system are available. Refer to the WINCO website for additional options or contact your local WINCO Sales Representative for information.

WINCO RESERVES THE RIGHT TO MODIFY OR CHANGE INFORMATION WITHIN THIS BOOK WHEN DEEMED NECESSARY FOR PRODUCT IMPROVEMENT



© WINCO WINDOW COMPANY, INC. 2026

SCALE 6"=1'-0"

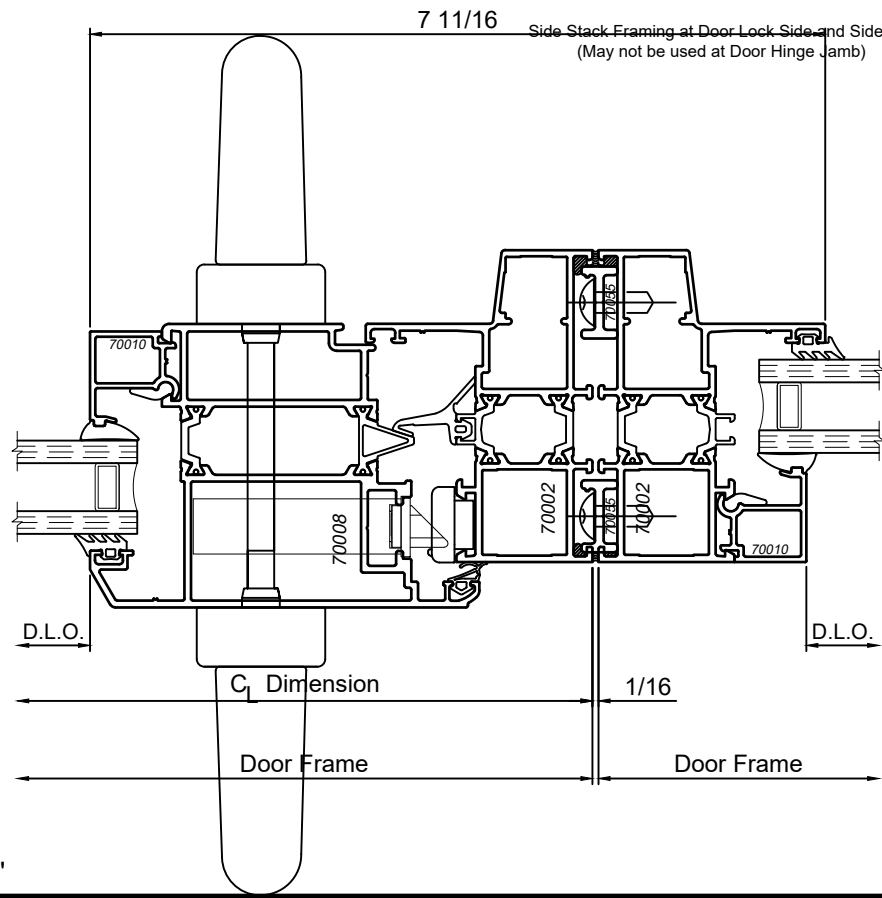
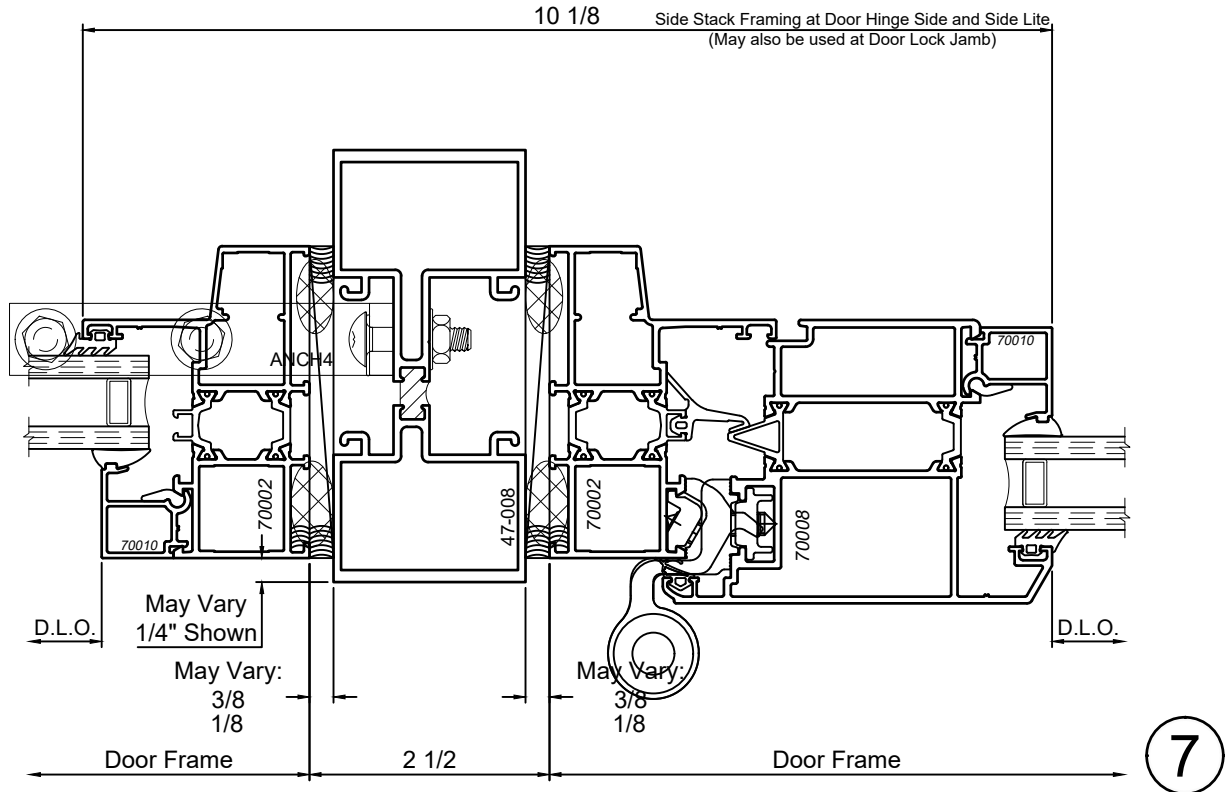
# NC-82 Series 3-1/4" Thermal Terrace Doors

## Product Details - Outswing Terrace Door w/ Transom



Note: Multiple configurations of this window system are available. Refer to the WINCO website for additional options or contact your local WINCO Sales Representative for information.

WINCO RESERVES THE RIGHT TO MODIFY OR CHANGE INFORMATION WITHIN THIS BOOK WHEN DEEMED NECESSARY FOR PRODUCT IMPROVEMENT



SCALE 6"=1'-0"

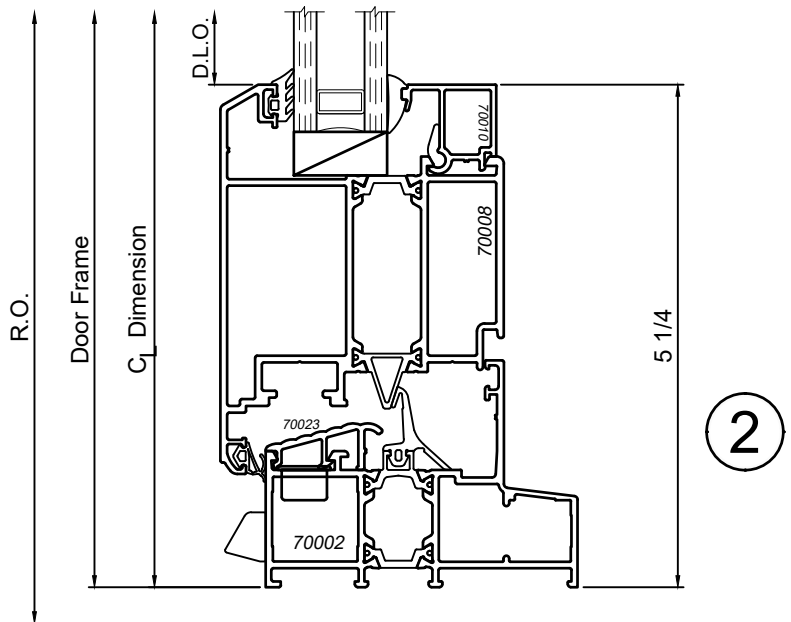
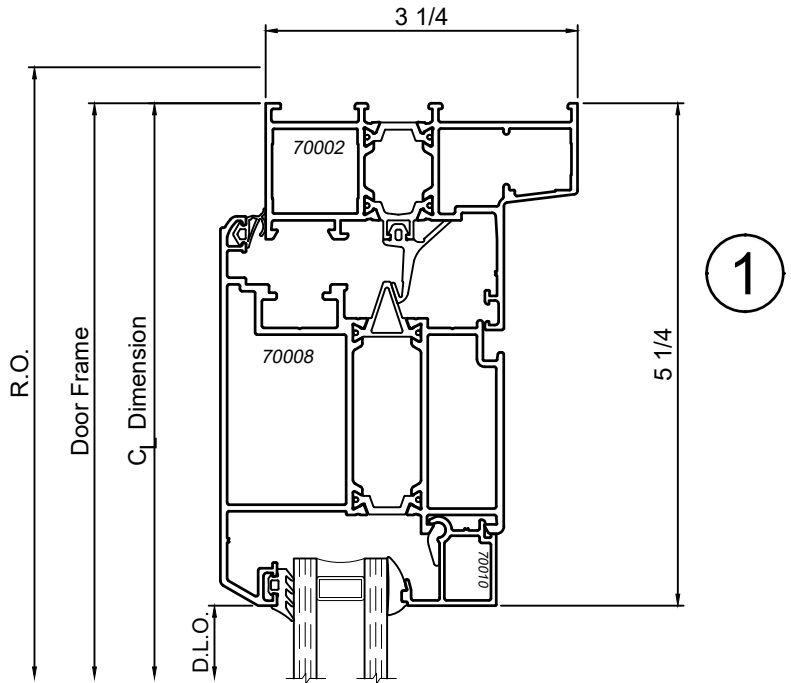
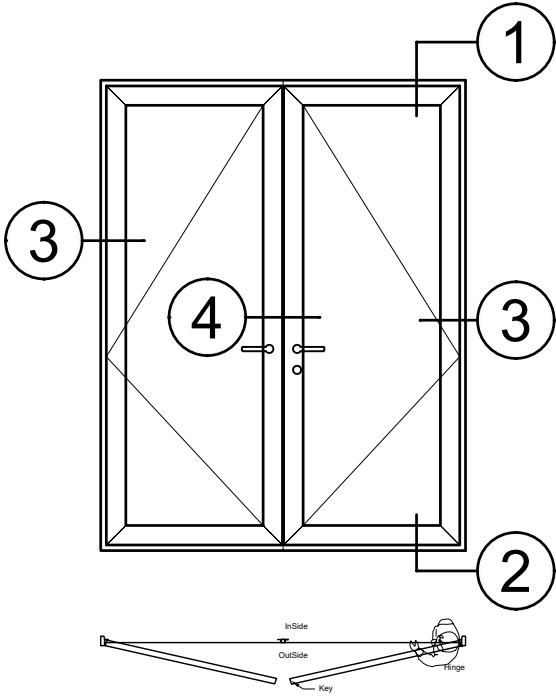
# NC-82 Series 3-1/4" Thermal Terrace Doors

## Product Details - Double Outswing Terrace Door



Note: Multiple configurations of this window system are available. Refer to the WINCO website for additional options or contact your local WINCO Sales Representative for information.

WINCO RESERVES THE RIGHT TO MODIFY OR CHANGE INFORMATION WITHIN THIS BOOK WHEN DEEMED NECESSARY FOR PRODUCT IMPROVEMENT



© WINCO WINDOW COMPANY, INC. 2026

SCALE 6"=1'-0"

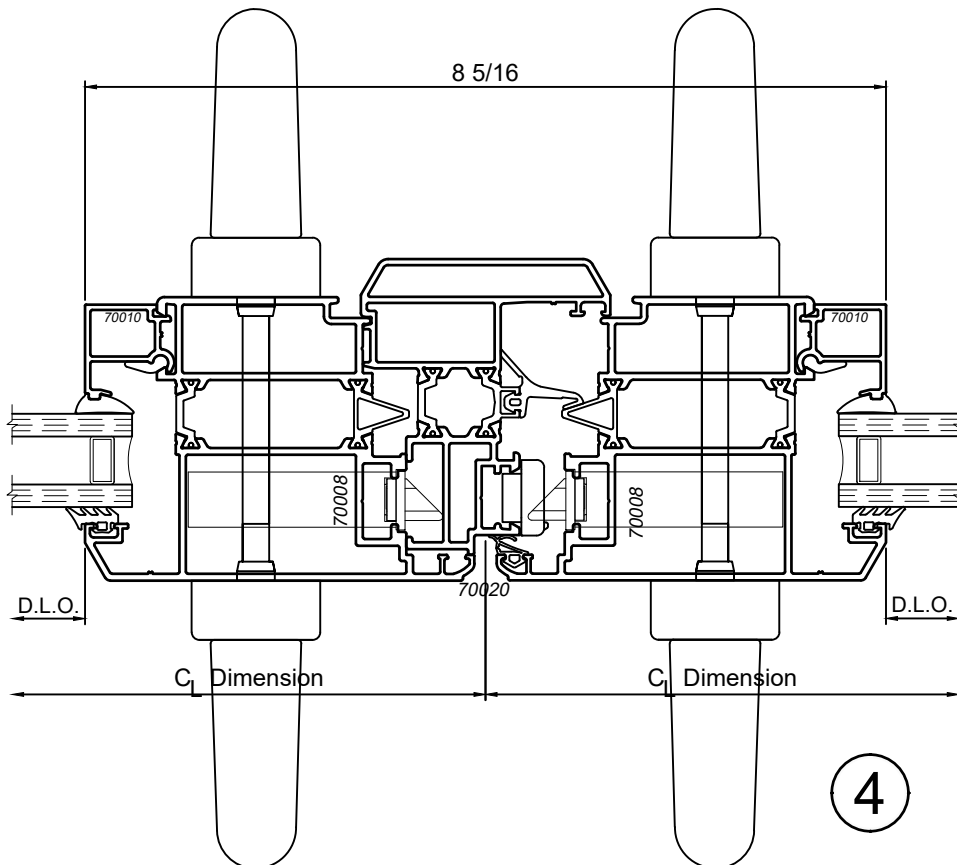
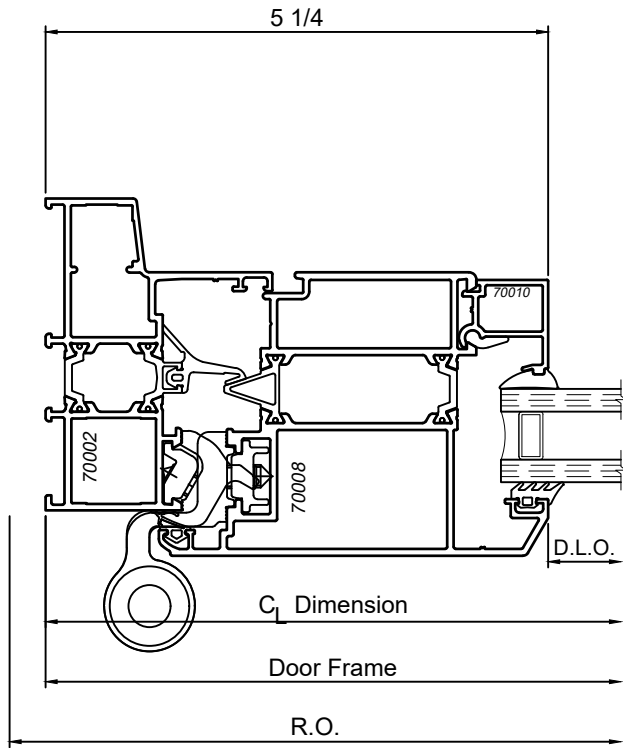
# NC-82 Series 3-1/4" Thermal Terrace Doors

## Product Details - Double Outswing Terrace Door



Note: Multiple configurations of this window system are available. Refer to the WINCO website for additional options or contact your local WINCO Sales Representative for information.

WINCO RESERVES THE RIGHT TO MODIFY OR CHANGE INFORMATION WITHIN THIS BOOK WHEN DEEMED NECESSARY FOR PRODUCT IMPROVEMENT



SCALE 6"=1'-0"

© WINCO WINDOW COMPANY, INC. 2026

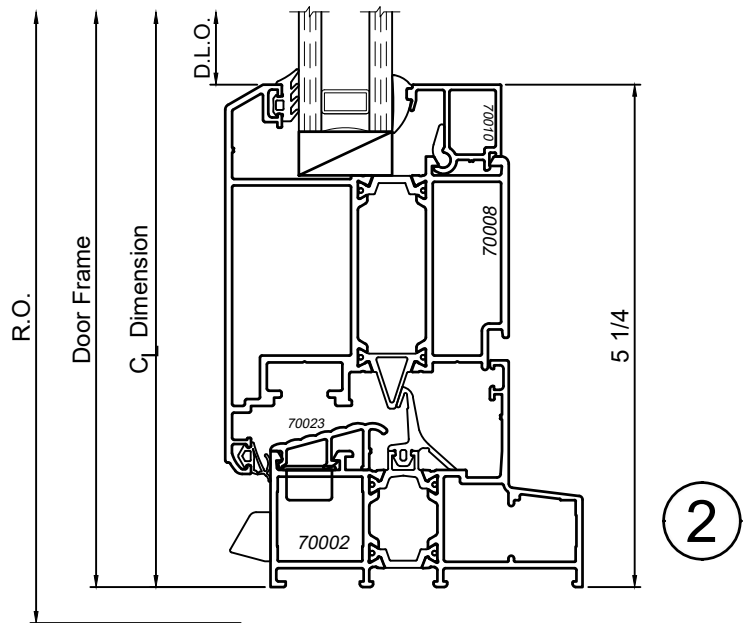
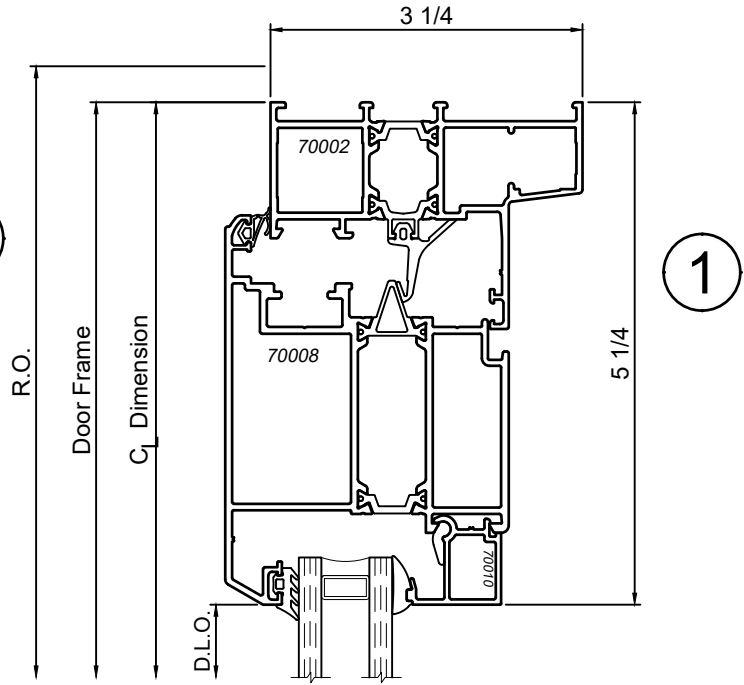
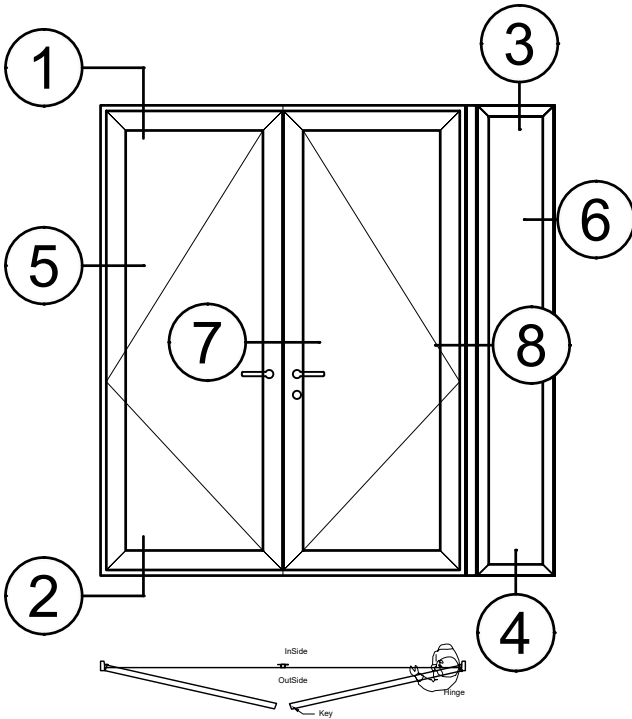
# NC-82 Series 3-1/4" Thermal Terrace Doors

## Product Details - Double Outswing Terrace Door w/ Side Lite



Note: Multiple configurations of this window system are available. Refer to the WINCO website for additional options or contact your local WINCO Sales Representative for information.

WINCO RESERVES THE RIGHT TO MODIFY OR CHANGE INFORMATION WITHIN THIS BOOK WHEN DEEMED NECESSARY FOR PRODUCT IMPROVEMENT



SCALE 6"=1'-0"

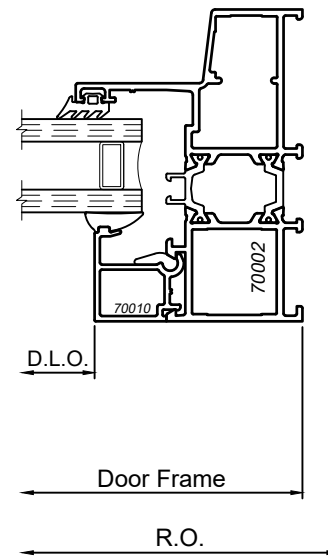
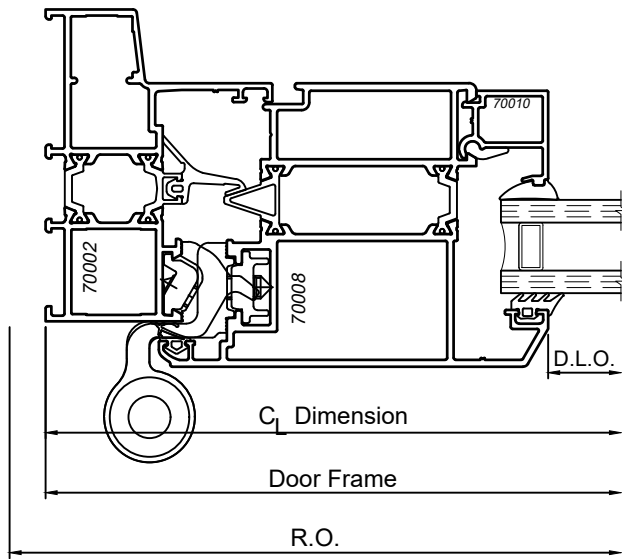
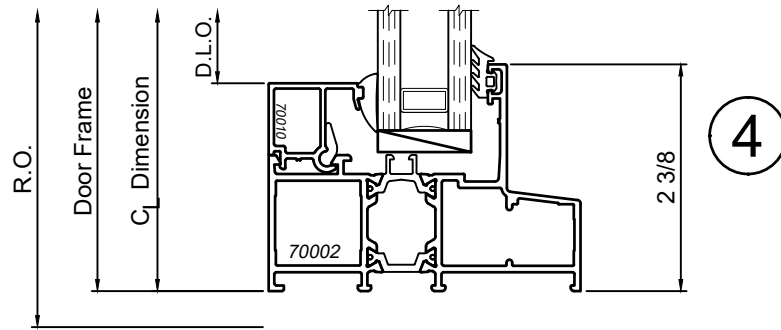
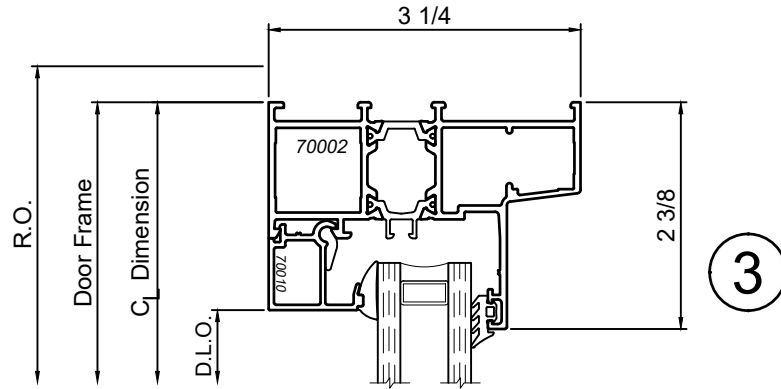
# NC-82 Series 3-1/4" Thermal Terrace Doors

## Product Details - Double Outswing Terrace Door w/ Side Lite



Note: Multiple configurations of this window system are available. Refer to the WINCO website for additional options or contact your local WINCO Sales Representative for information.

WINCO RESERVES THE RIGHT TO MODIFY OR CHANGE INFORMATION WITHIN THIS BOOK WHEN DEEMED NECESSARY FOR PRODUCT IMPROVEMENT



5

6

SCALE 6"=1'-0"

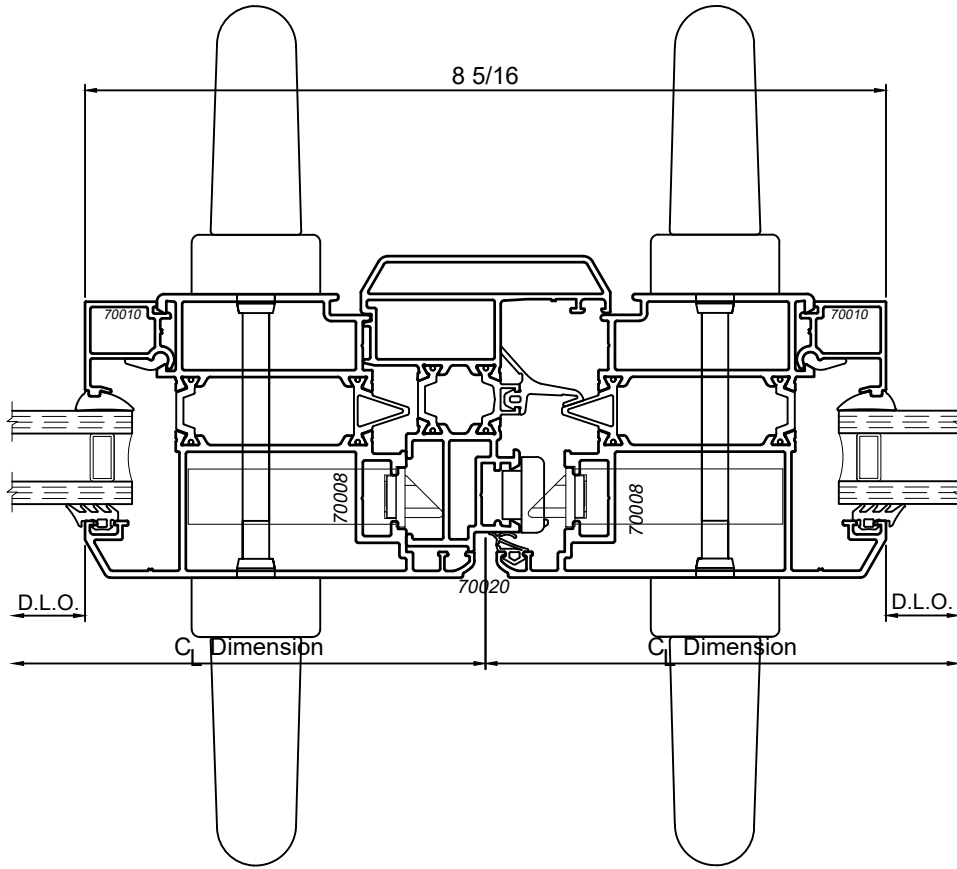
# NC-82 Series 3-1/4" Thermal Terrace Doors

## Product Details - Double Inswing Terrace Door w/ Side Lite

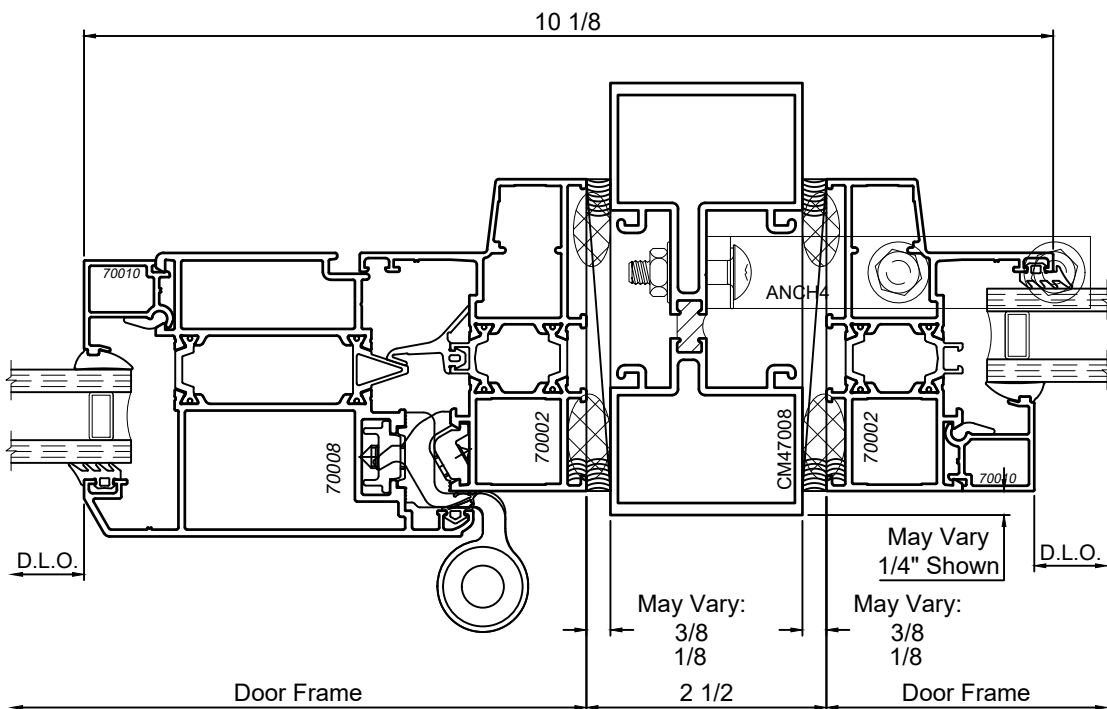


Note: Multiple configurations of this window system are available. Refer to the WINCO website for additional options or contact your local WINCO Sales Representative for information.

WINCO RESERVES THE RIGHT TO MODIFY OR CHANGE INFORMATION WITHIN THIS BOOK WHEN DEEMED NECESSARY FOR PRODUCT IMPROVEMENT



7



8

SCALE 6"=1'-0"

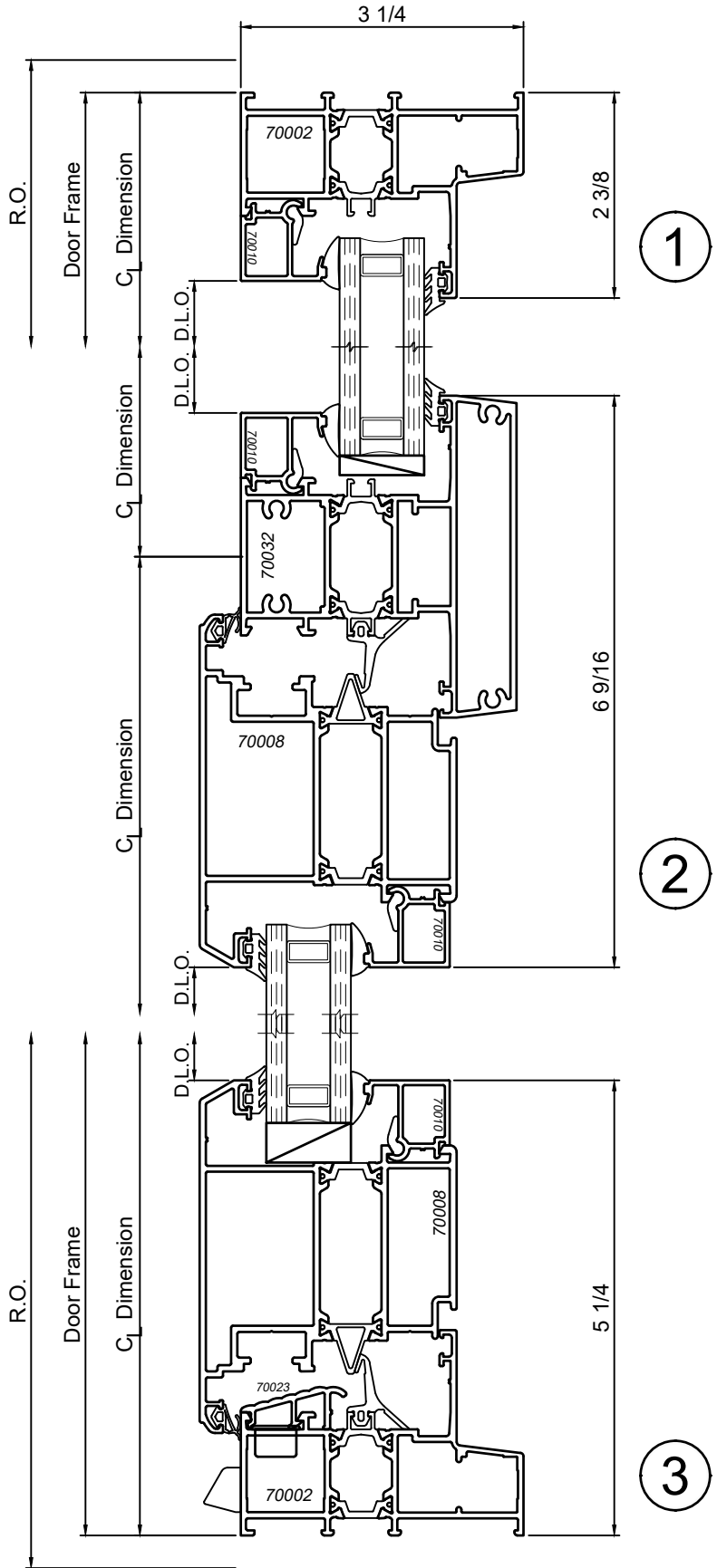
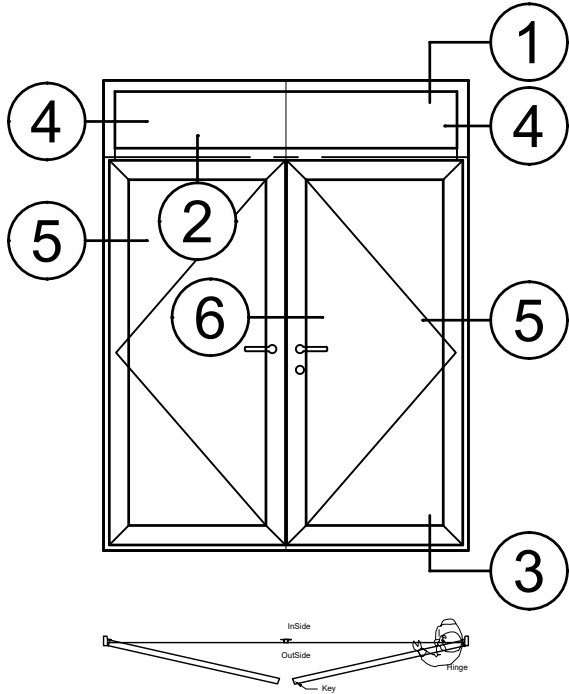
# NC-82 Series 3-1/4" Thermal Terrace Doors

## Product Details - Double Outswing Terrace Door w/ Transom



Note: Multiple configurations of this window system are available. Refer to the WINCO website for additional options or contact your local WINCO Sales Representative for information.

WINCO RESERVES THE RIGHT TO MODIFY OR CHANGE INFORMATION WITHIN THIS BOOK WHEN DEEMED NECESSARY FOR PRODUCT IMPROVEMENT



© WINCO WINDOW COMPANY, INC. 2026

SCALE 6"=1'-0"

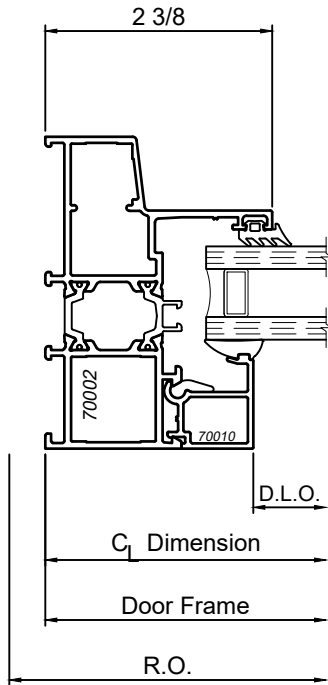
# NC-82 Series 3-1/4" Thermal Terrace Doors

## Product Details - Double Outswing Terrace Door w/ Transom

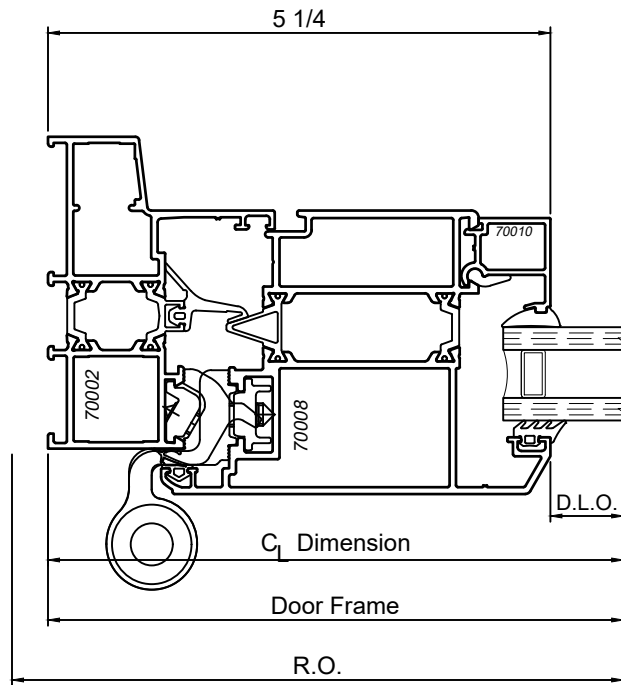


Note: Multiple configurations of this window system are available. Refer to the WINCO website for additional options or contact your local WINCO Sales Representative for information.

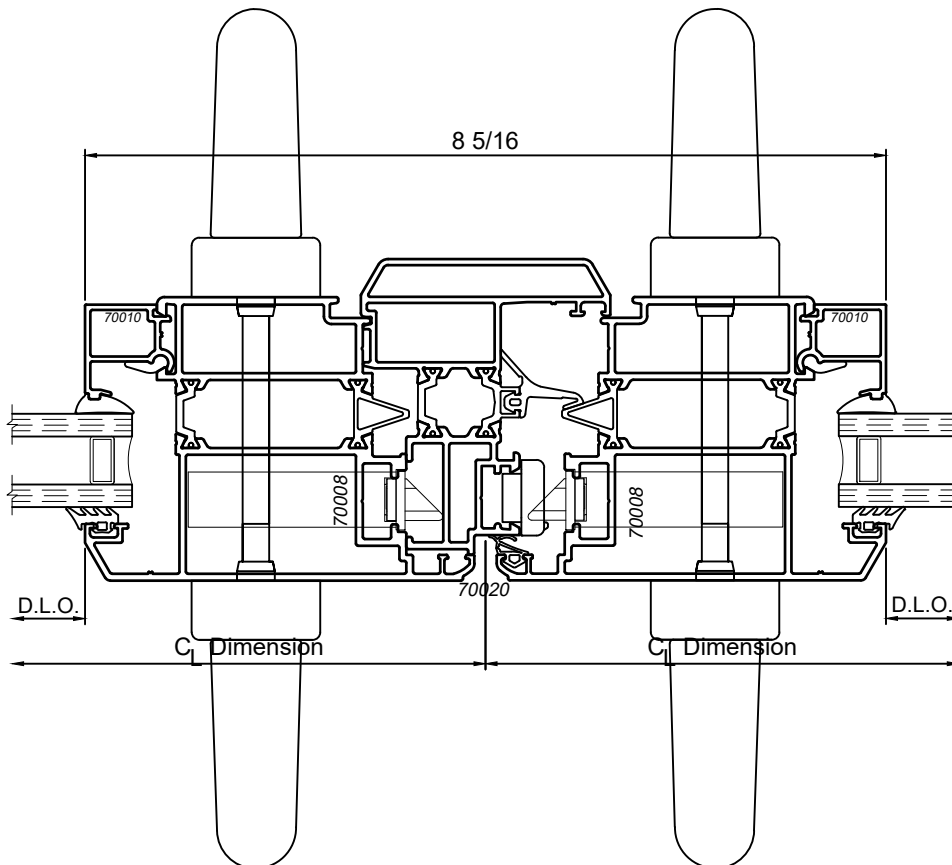
WINCO RESERVES THE RIGHT TO MODIFY OR CHANGE INFORMATION WITHIN THIS BOOK WHEN DEEMED NECESSARY FOR PRODUCT IMPROVEMENT



4



5



6

SCALE 6"=1'-0"

© WINCO WINDOW COMPANY, INC. 2026

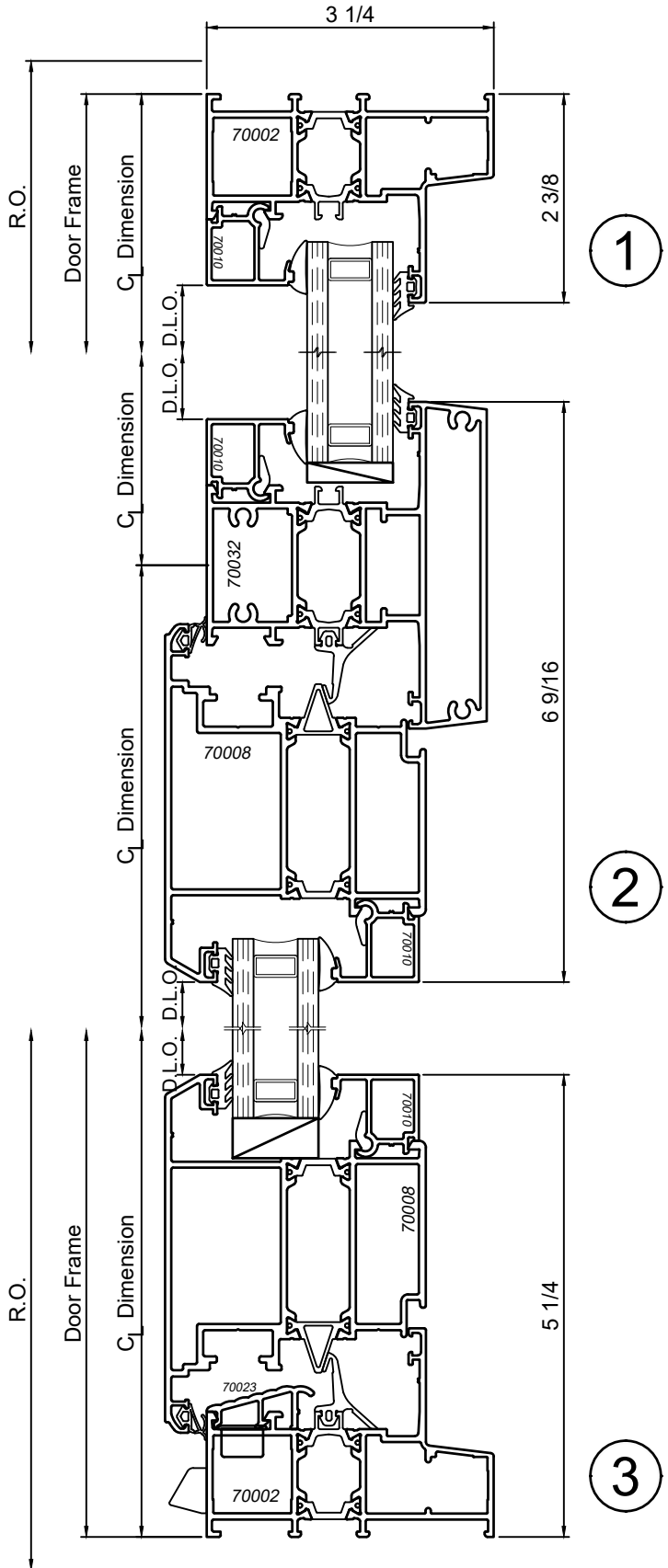
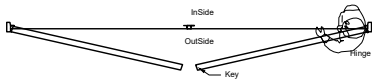
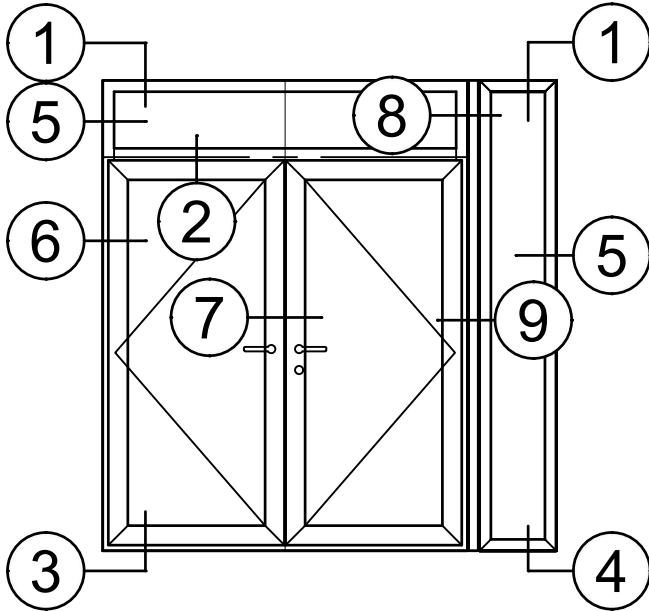
# NC-82 Series 3-1/4" Thermal Terrace Doors

## Product Details - Outswing Terrace Door w/ Side Lite and Transom

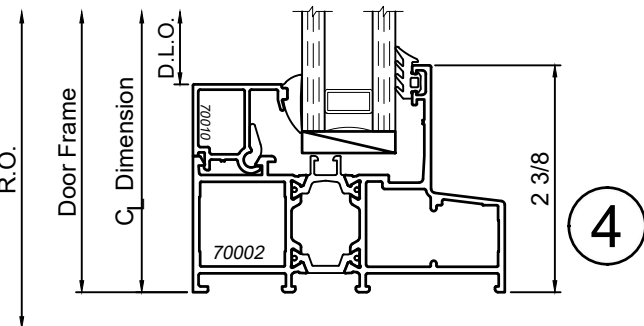


Note: Multiple configurations of this window system are available. Refer to the WINCO website for additional options or contact your local WINCO Sales Representative for information.

WINCO RESERVES THE RIGHT TO MODIFY OR CHANGE INFORMATION WITHIN THIS BOOK WHEN DEEMED NECESSARY FOR PRODUCT IMPROVEMENT



© WINCO WINDOW COMPANY, INC. 2026



SCALE 6"=1'-0"

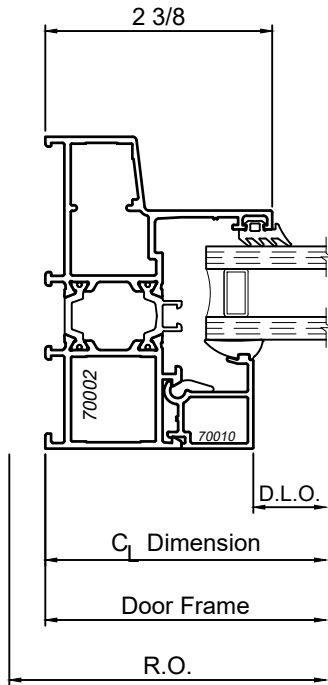
# NC-82 Series 3-1/4" Thermal Terrace Doors

## Product Details - Outswing Terrace Door w/ Side Lite and Transom

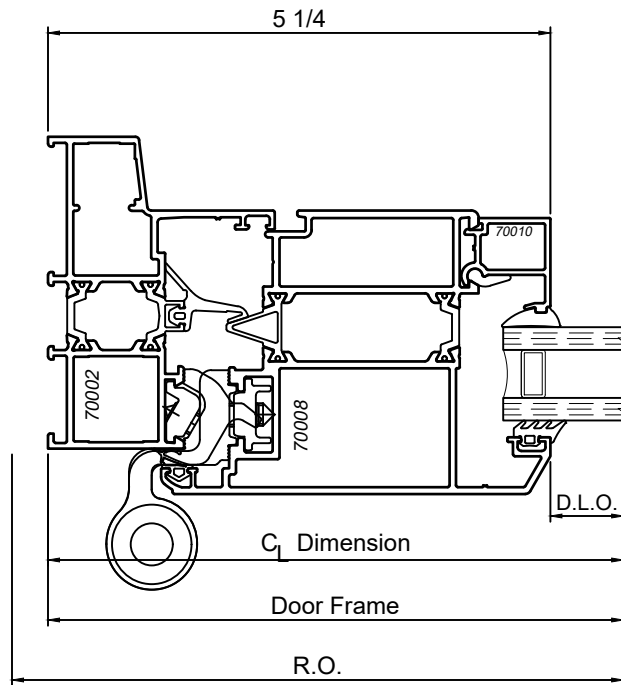


Note: Multiple configurations of this window system are available. Refer to the WINCO website for additional options or contact your local WINCO Sales Representative for information.

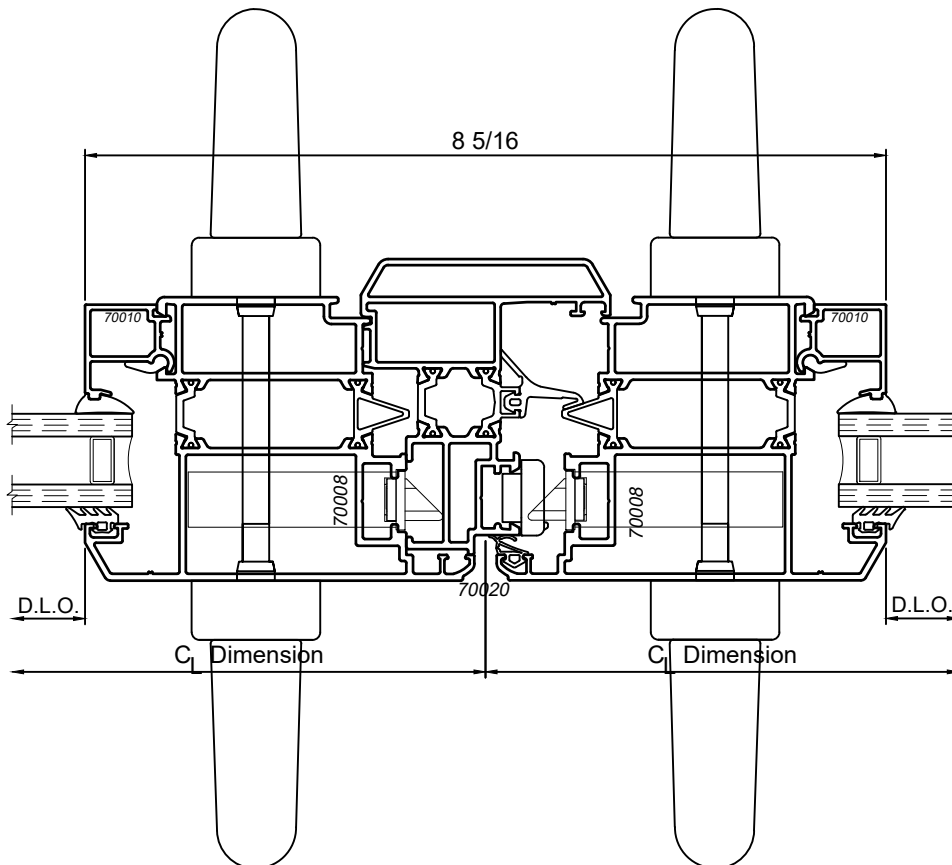
WINCO RESERVES THE RIGHT TO MODIFY OR CHANGE INFORMATION WITHIN THIS BOOK WHEN DEEMED NECESSARY FOR PRODUCT IMPROVEMENT



5



6



7

SCALE 6"=1'-0"

© WINCO WINDOW COMPANY, INC. 2026

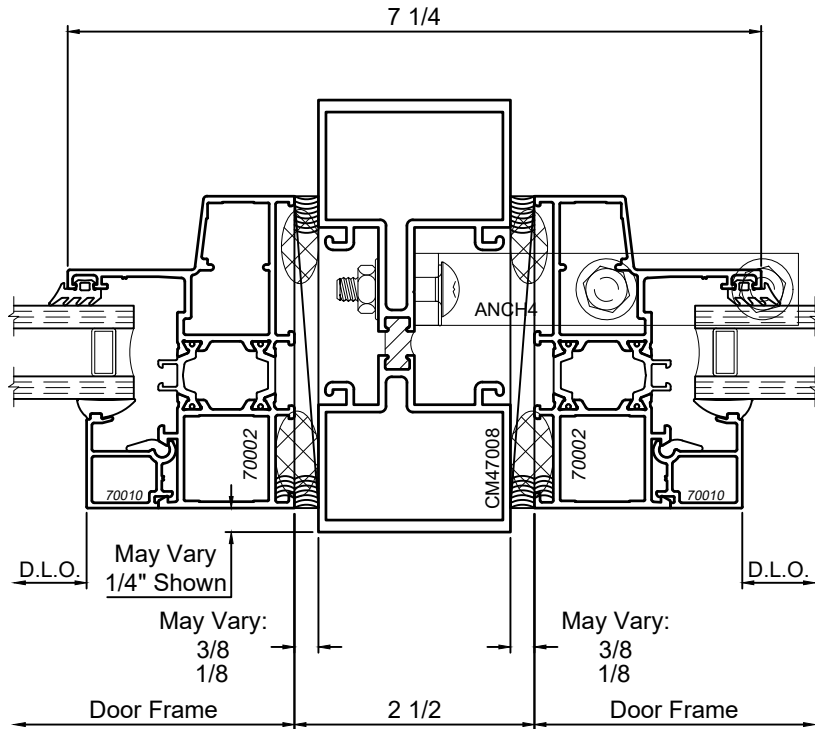
# NC-82 Series 3-1/4" Thermal Terrace Doors

## Product Details - Outswing Terrace Door w/ Side Lite and Transom

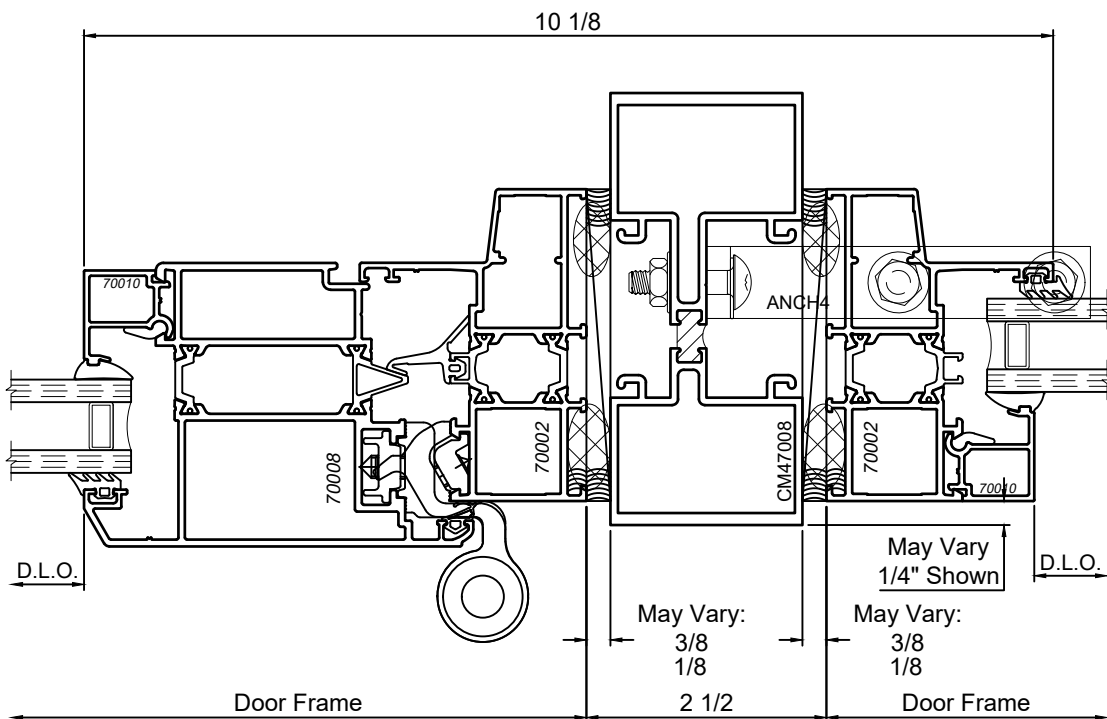


Note: Multiple configurations of this window system are available. Refer to the WINCO website for additional options or contact your local WINCO Sales Representative for information.

WINCO RESERVES THE RIGHT TO MODIFY OR CHANGE INFORMATION WITHIN THIS BOOK WHEN DEEMED NECESSARY FOR PRODUCT IMPROVEMENT



8



9

SCALE 6"=1'-0"

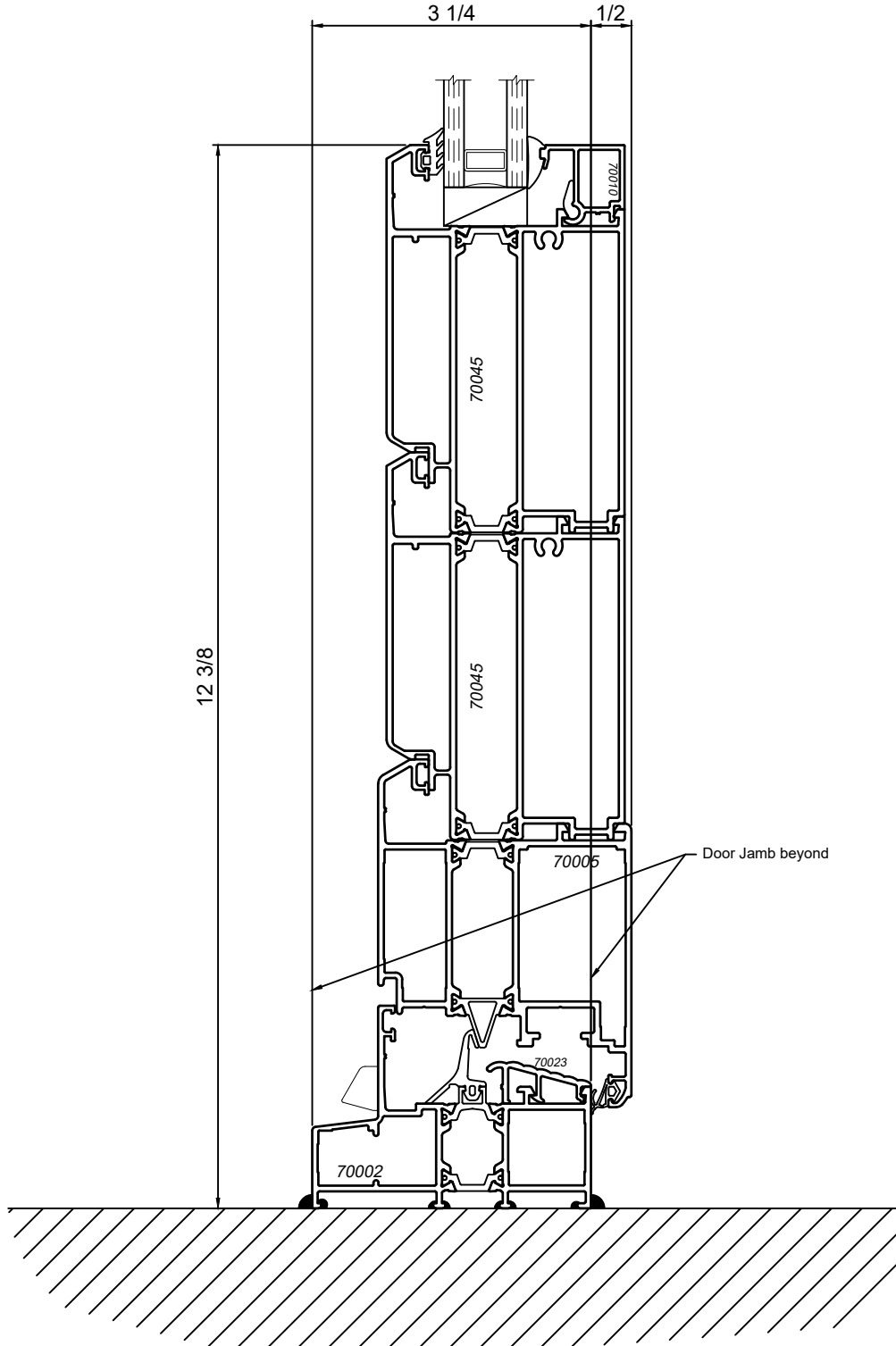
# NC-82 Series 3-1/4" Thermal Terrace Doors

## Product Details - Treshold Options - Inswing



Note: Multiple configurations of this window system are available. Refer to the WINCO website for additional options or contact your local WINCO Sales Representative for information.

WINCO RESERVES THE RIGHT TO MODIFY OR CHANGE INFORMATION WITHIN THIS BOOK WHEN DEEMED NECESSARY FOR PRODUCT IMPROVEMENT



© WINCO WINDOW COMPANY, INC. 2026

Standard Profile Treshold - Door Sash w/ Kickplate

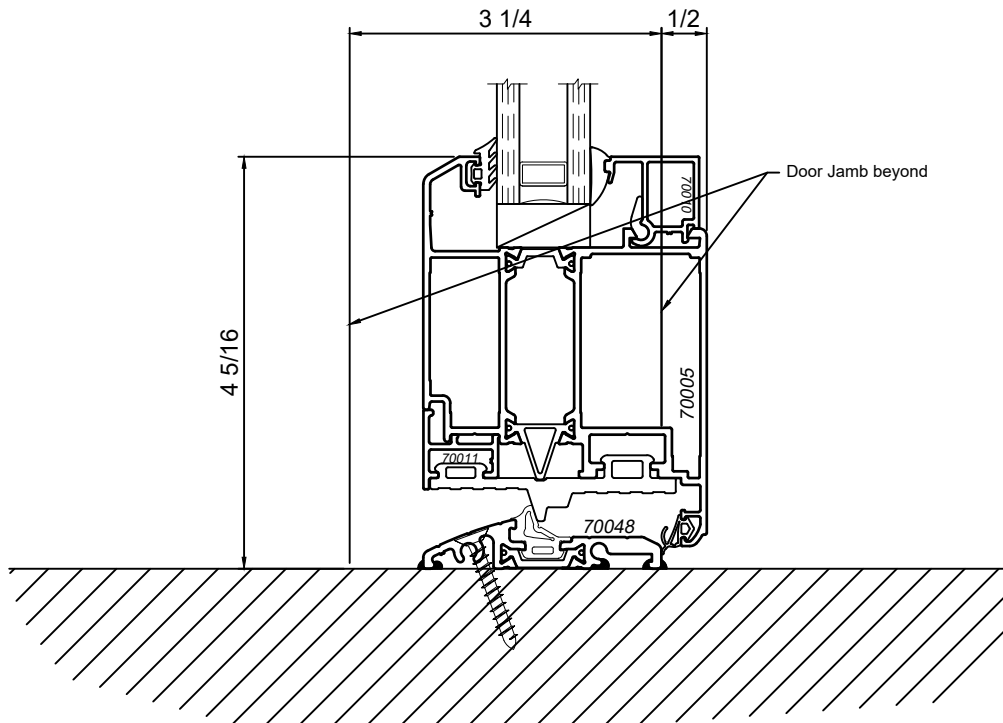
SCALE 6"=1'-0"

# NC-82 Series 3-1/4" Thermal Terrace Doors Product Details - Treshold Options - Inswing



Note: Multiple configurations of this window system are available. Refer to the WINCO website for additional options or contact your local WINCO Sales Representative for information.

WINCO RESERVES THE RIGHT TO MODIFY OR CHANGE INFORMATION WITHIN THIS BOOK WHEN DEEMED NECESSARY FOR PRODUCT IMPROVEMENT



Low Profile Treshold - Standard Door Sash

SCALE 6"=1'-0"

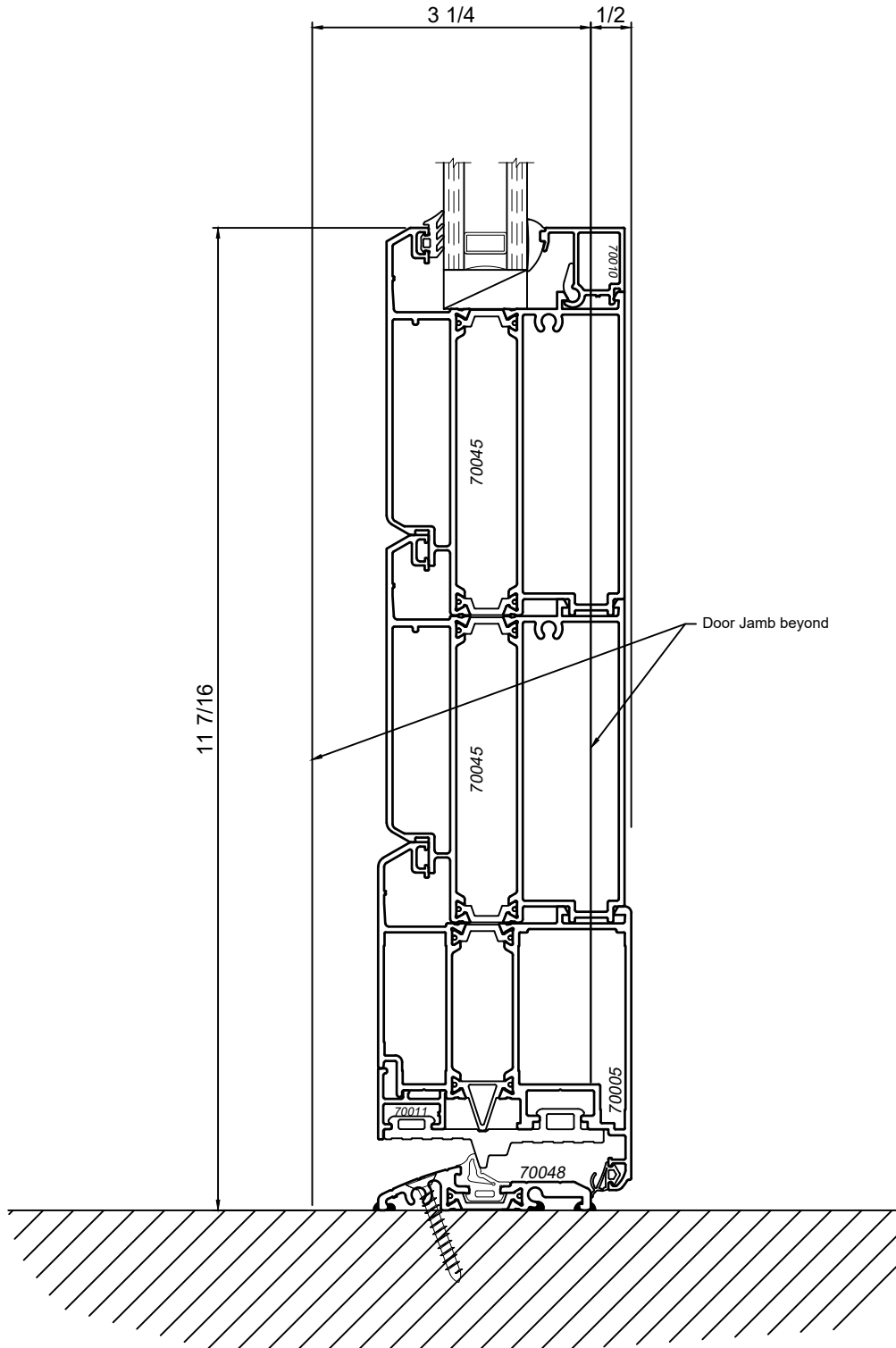
# NC-82 Series 3-1/4" Thermal Terrace Doors

## Product Details - Treshold Options - Inswing



Note: Multiple configurations of this window system are available. Refer to the WINCO website for additional options or contact your local WINCO Sales Representative for information.

WINCO RESERVES THE RIGHT TO MODIFY OR CHANGE INFORMATION WITHIN THIS BOOK WHEN DEEMED NECESSARY FOR PRODUCT IMPROVEMENT



Low Profile Treshold - Door Sash w/ Kickplate

SCALE 6"=1'-0"

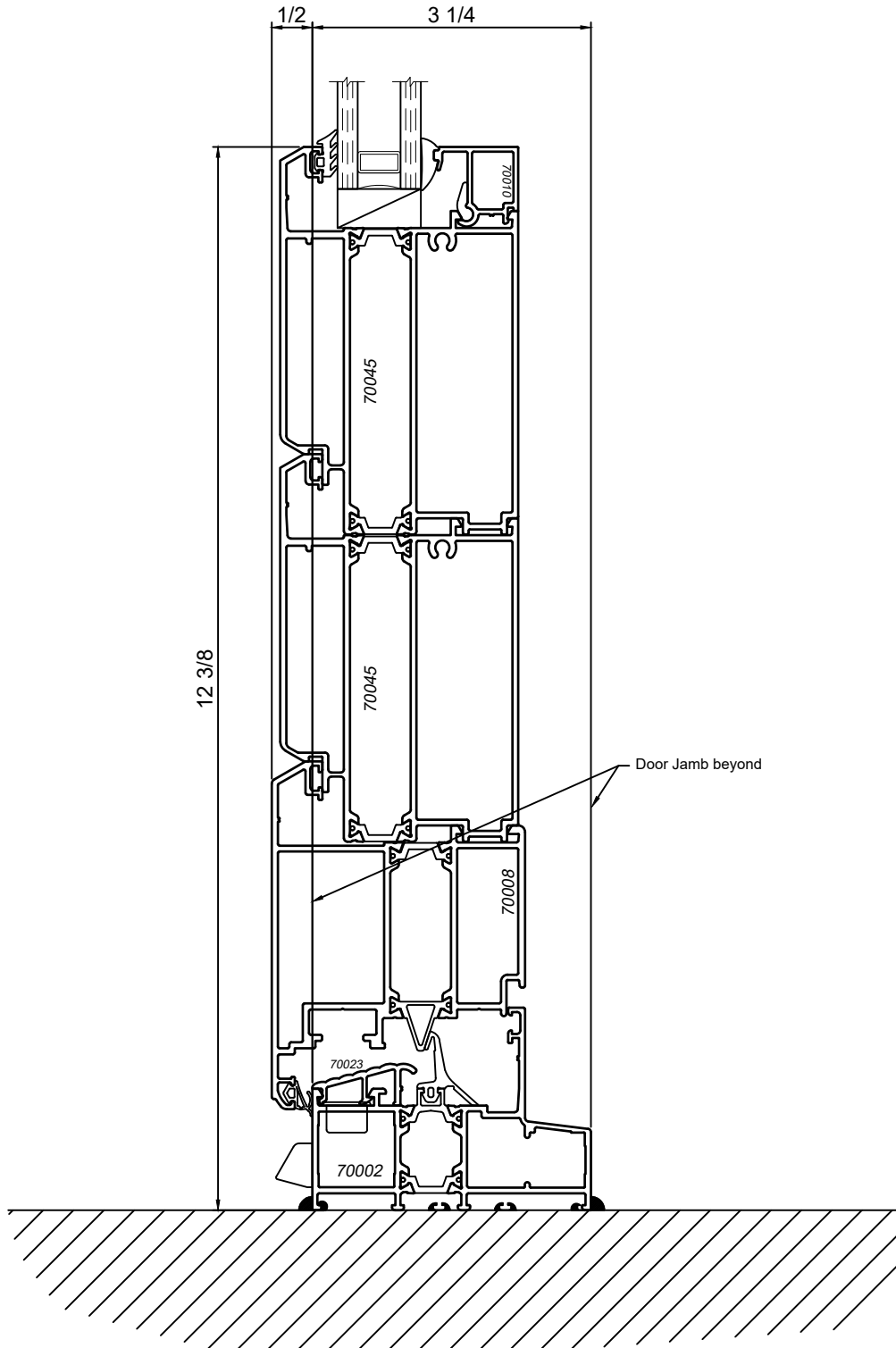
# NC-82 Series 3-1/4" Thermal Terrace Doors

## Product Details - Treshold Options - Outswing



Note: Multiple configurations of this window system are available. Refer to the WINCO website for additional options or contact your local WINCO Sales Representative for information.

WINCO RESERVES THE RIGHT TO MODIFY OR CHANGE INFORMATION WITHIN THIS BOOK WHEN DEEMED NECESSARY FOR PRODUCT IMPROVEMENT



© WINCO WINDOW COMPANY, INC. 2026

Standard Profile Treshold - Door Sash w/ Kickplate

SCALE 6"=1'-0"

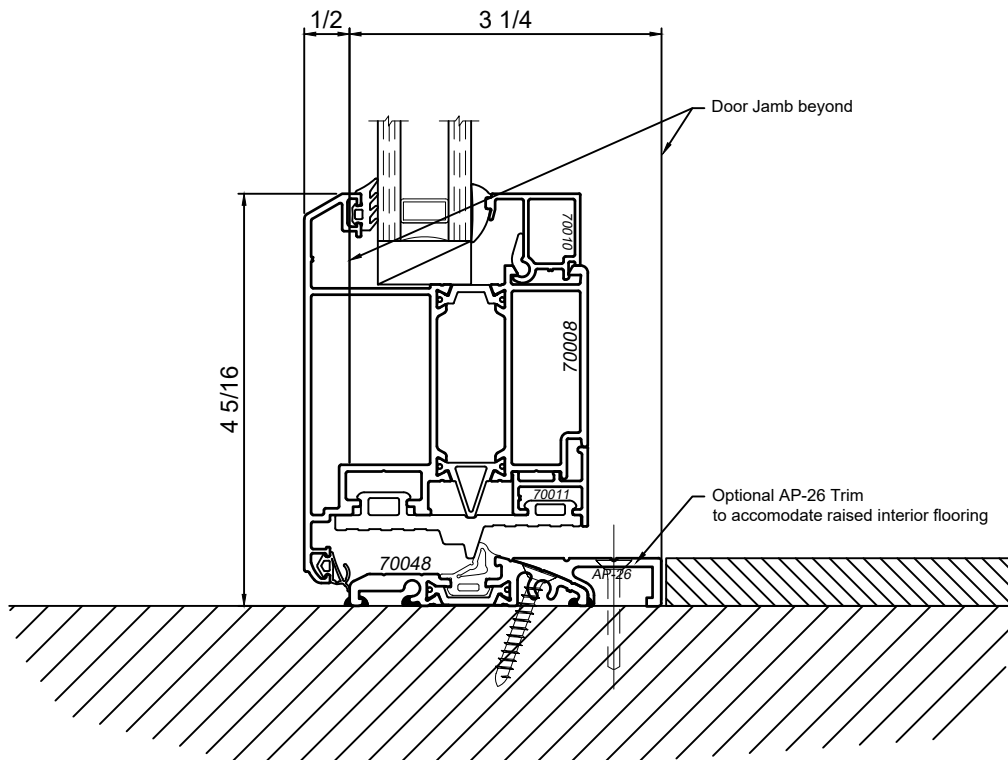
# NC-82 Series 3-1/4" Thermal Terrace Doors

## Product Details - Treshold Options - Outswing



Note: Multiple configurations of this window system are available. Refer to the WINCO website for additional options or contact your local WINCO Sales Representative for information.

WINCO RESERVES THE RIGHT TO MODIFY OR CHANGE INFORMATION WITHIN THIS BOOK WHEN DEEMED NECESSARY FOR PRODUCT IMPROVEMENT



Low Profile Treshold - Standard Door Sash

SCALE 6"=1'-0"

# NC-82 Series 3-1/4" Thermal Terrace Doors

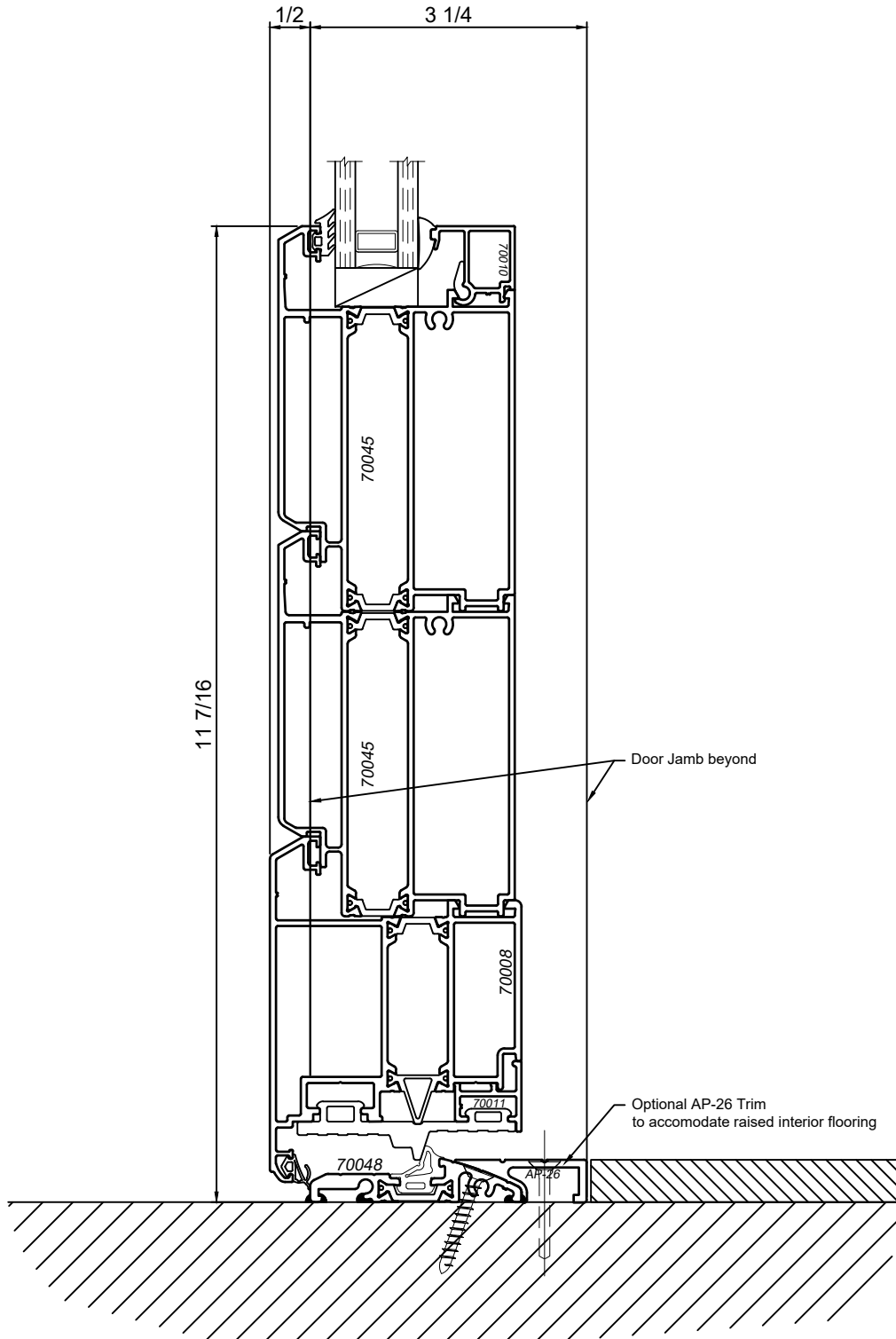
## Product Details - Treshold Options - Outswing



Note: Multiple configurations of this window system are available. Refer to the WINCO website for additional options or contact your local WINCO Sales Representative for information.

WINCO RESERVES THE RIGHT TO MODIFY OR CHANGE INFORMATION WITHIN THIS BOOK WHEN DEEMED NECESSARY FOR PRODUCT IMPROVEMENT

© WINCO WINDOW COMPANY, INC. 2026



Low Profile Treshold - Door Sash w/ Kickplate

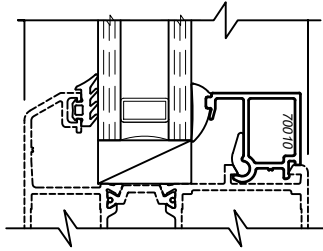
SCALE 6"=1'-0"

# NC-82 Series 3-1/4" Thermal Terrace Doors

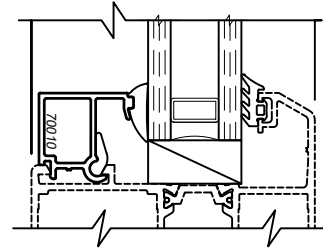
## Product Details - Glazing Options



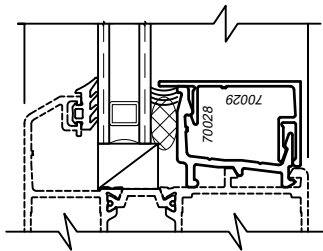
WINCO RESERVES THE RIGHT TO MODIFY OR CHANGE INFORMATION WITHIN THIS BOOK WHEN DEEMED NECESSARY FOR PRODUCT IMPROVEMENT



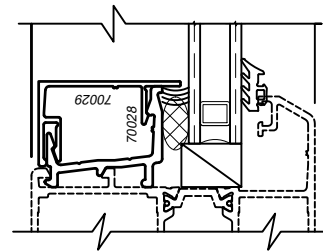
1" Glazing Bead  
70010  
Interior Glazed



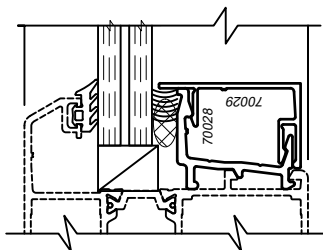
1" Glazing Bead  
70010  
Exterior Glazed



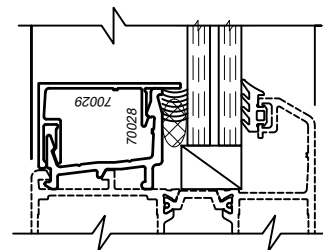
5/8" Glazing Bead  
70028 + 70029  
Interior Glazed



5/8" Glazing Bead  
70028 + 70029  
Exterior Glazed



5/8" Glazing Bead  
70028 + 70029  
Interior Glazed



5/8" Glazing Bead  
70028 + 70029  
Exterior Glazed

Note: glazing options shown are a sample of what is available. If desired glazing is not shown please contact your local Winco Sales Representative for additional information.

SCALE 6"=1'-0"

© WINCO WINDOW COMPANY, INC. 2026

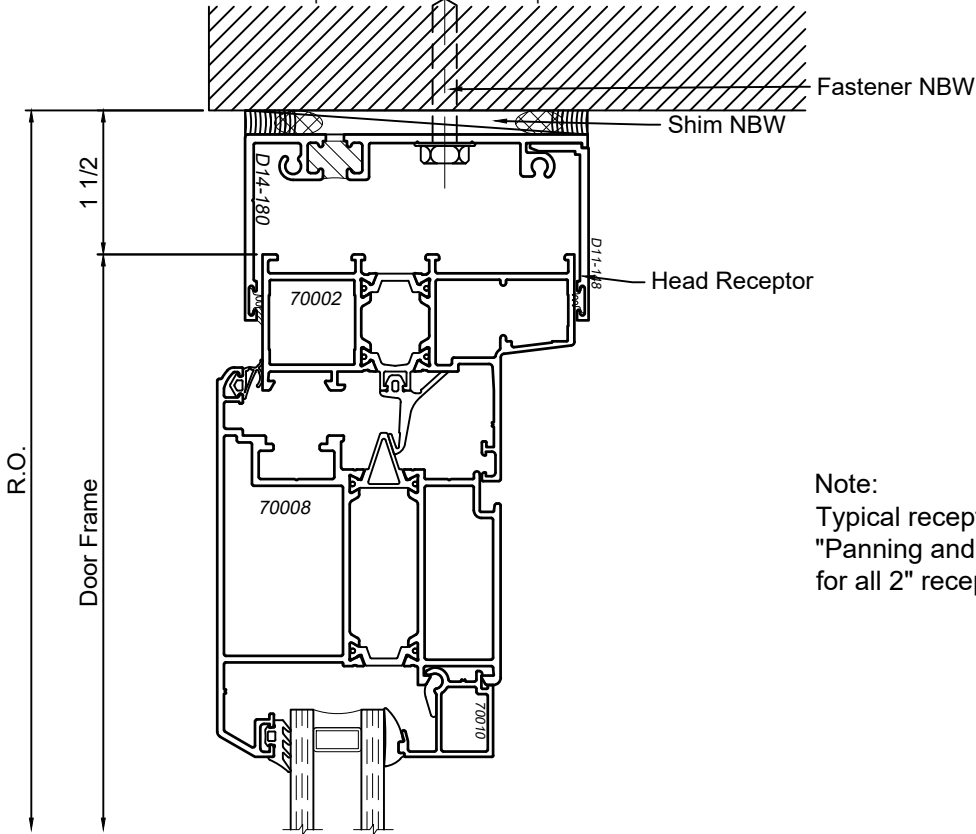
# NC-82 Series 3-1/4" Thermal Terrace Doors

## Product Details - Trim - Receptor Installation

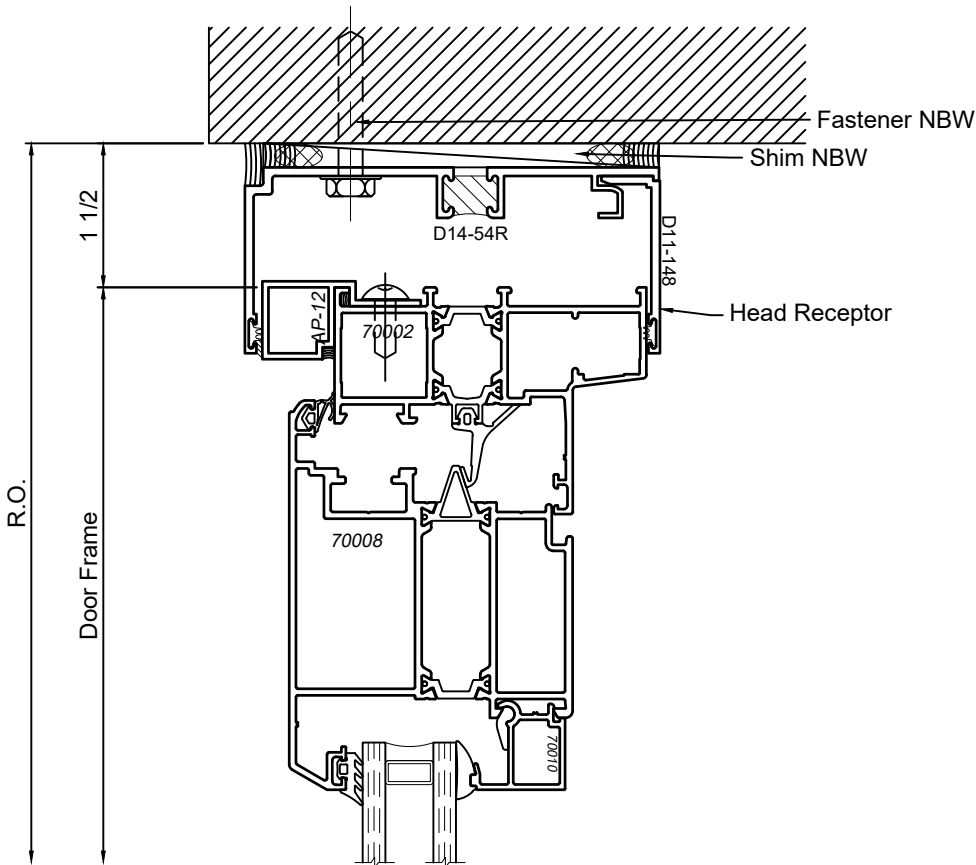


Note: See Winco Installation Instructions for a detailed description of installation notes and procedures.

WINCO RESERVES THE RIGHT TO MODIFY OR CHANGE INFORMATION WITHIN THIS BOOK WHEN DEEMED NECESSARY FOR PRODUCT IMPROVEMENT



Note:  
Typical receptor system shown. Refer to "Panning and Trim" section of detail binder for all 2" receptor options.



SCALE 6"=1'-0"

© WINCO WINDOW COMPANY, INC. 2026

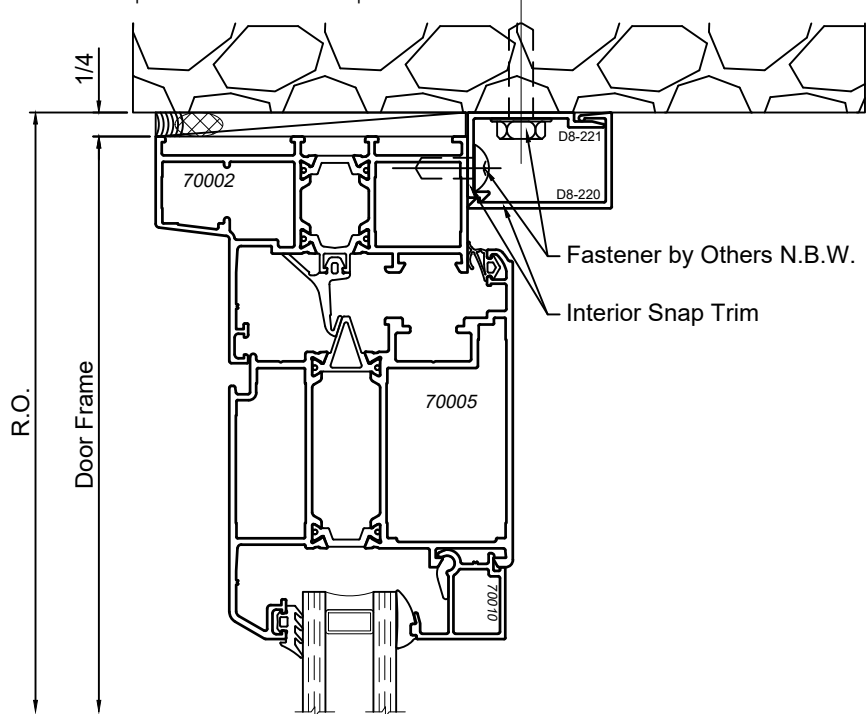
# NC-82 Series 3-1/4" Thermal Terrace Doors

## Product Details - Trim - Snap Trim Installation



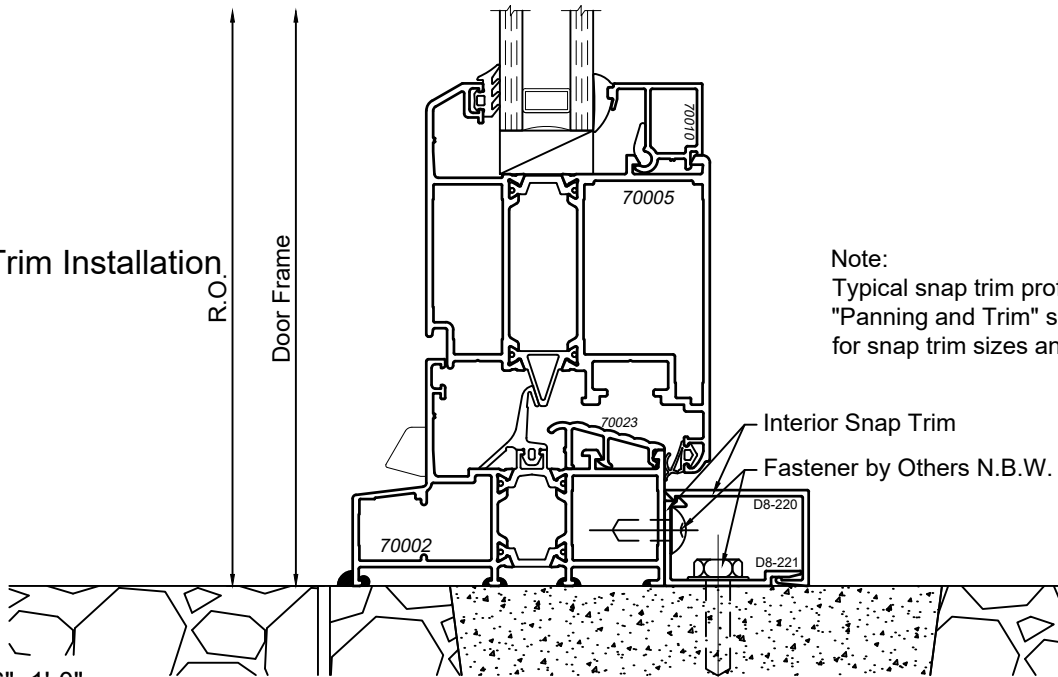
Note: See Winco Installation Instructions for a detailed description of installation notes and procedures.

WINCO RESERVES THE RIGHT TO MODIFY OR CHANGE INFORMATION WITHIN THIS BOOK WHEN DEEMED NECESSARY FOR PRODUCT IMPROVEMENT



© WINCO WINDOW COMPANY, INC. 2026

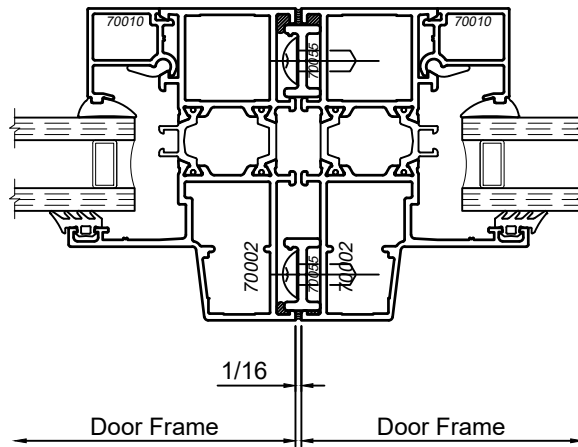
### Snap Trim Installation



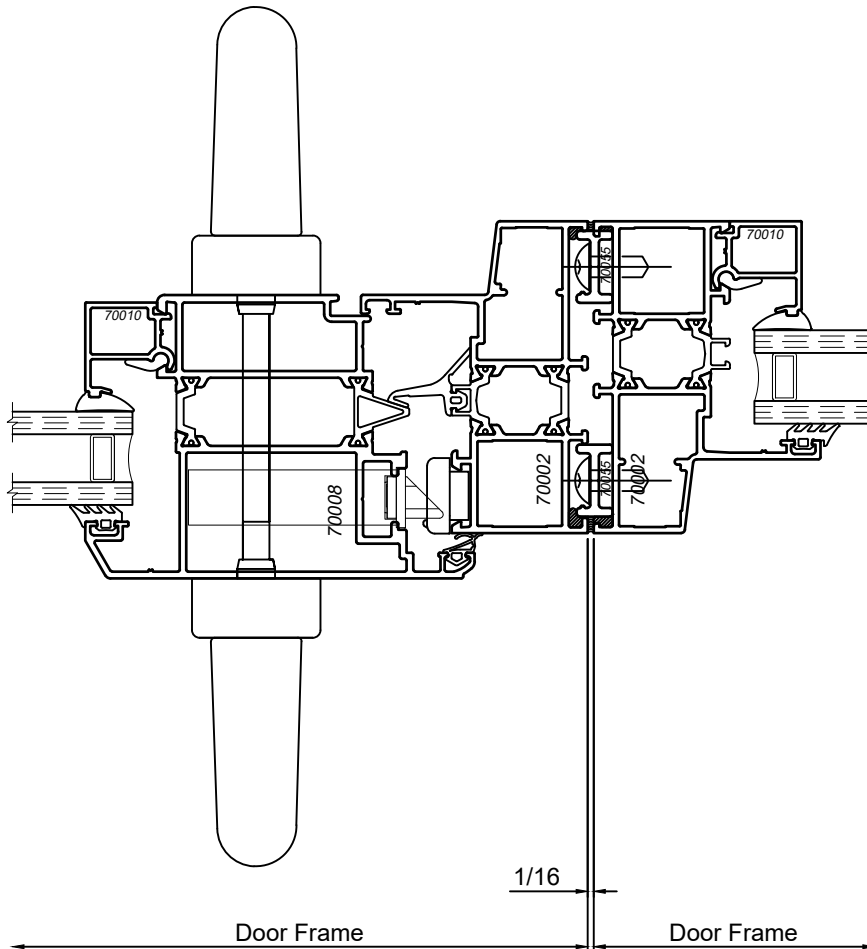
Note:  
Typical snap trim profile shown. Refer to "Panning and Trim" section of detail binder for snap trim sizes and shapes.

SCALE 6"=1'-0"

Side Stack Framing at Side Lites  
(May not be used at Door Hinge Jamb)



Side Stack Framing at Door Lock Side and Side Lite  
(May not be used at Door Hinge Jamb)

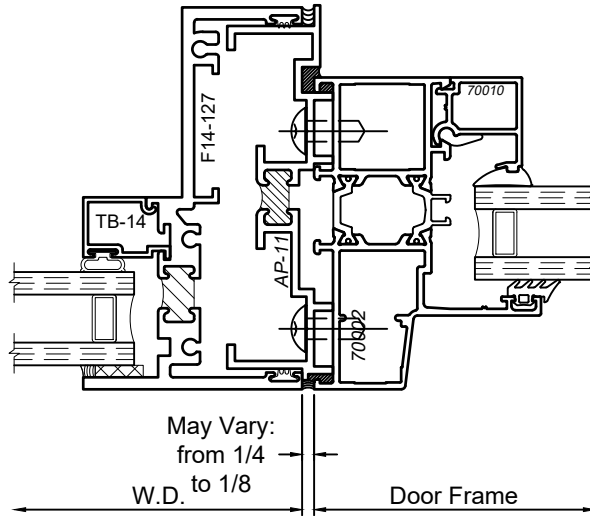


WINCO RESERVES THE RIGHT TO MODIFY OR CHANGE INFORMATION WITHIN THIS BOOK WHEN DEEMED NECESSARY FOR PRODUCT IMPROVEMENT

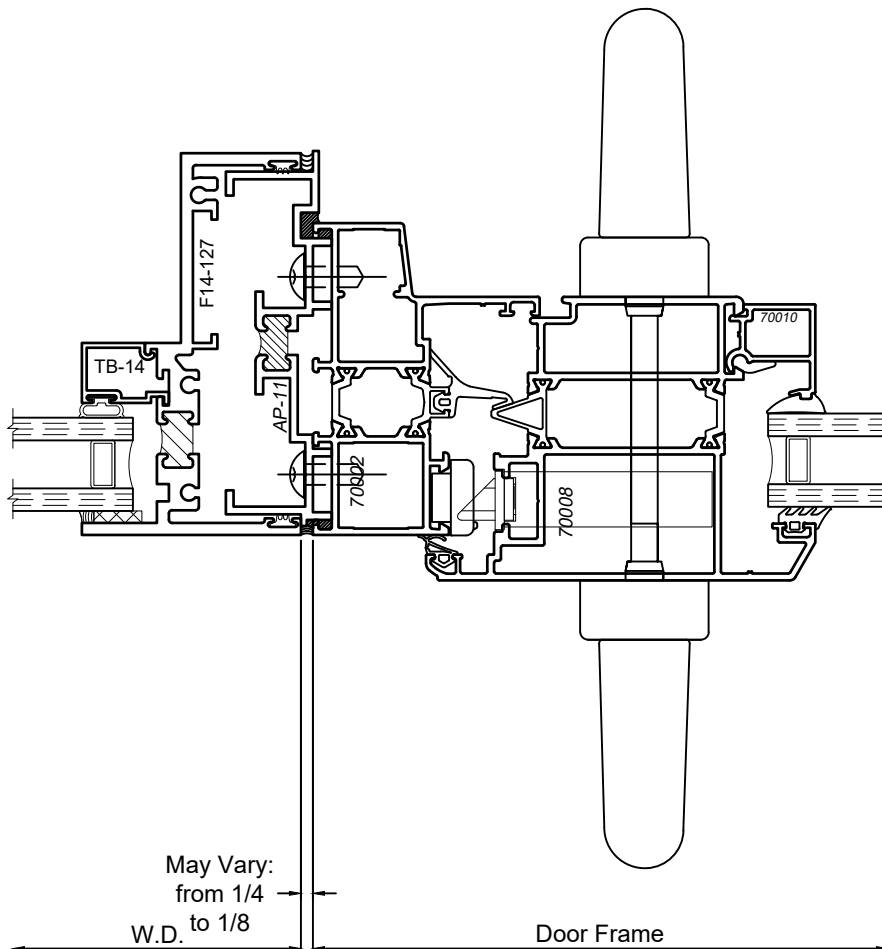
© WINCO WINDOW COMPANY, INC. 2026

SCALE 6"=1'-0"

Side Stack Framing at Window and Side Lite  
 (May not be used at Door Hinge Jamb)



Side Stack Framing at Window and Door Lock Side  
 (May not be used at Door Hinge Jamb)



SCALE 6"=1'-0"

WINCO RESERVES THE RIGHT TO MODIFY OR CHANGE INFORMATION WITHIN THIS BOOK WHEN DEEMED NECESSARY FOR PRODUCT IMPROVEMENT

© WINCO WINDOW COMPANY, INC. 2026

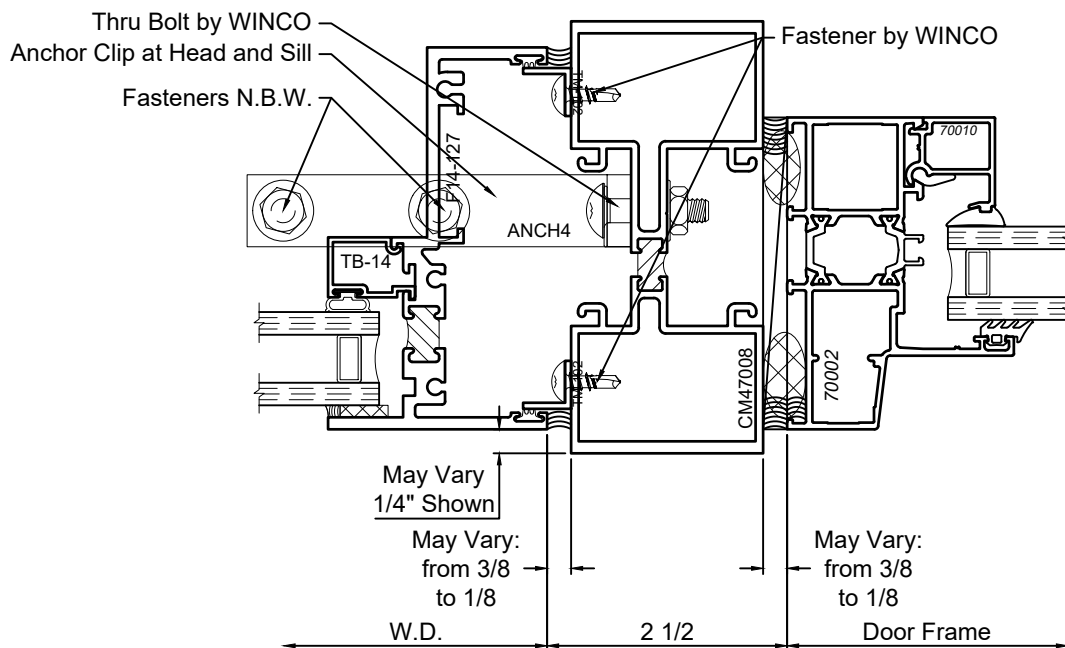
# NC-82 Series 3-1/4" Thermal Terrace Doors

## Product Details - Trim - Mullion



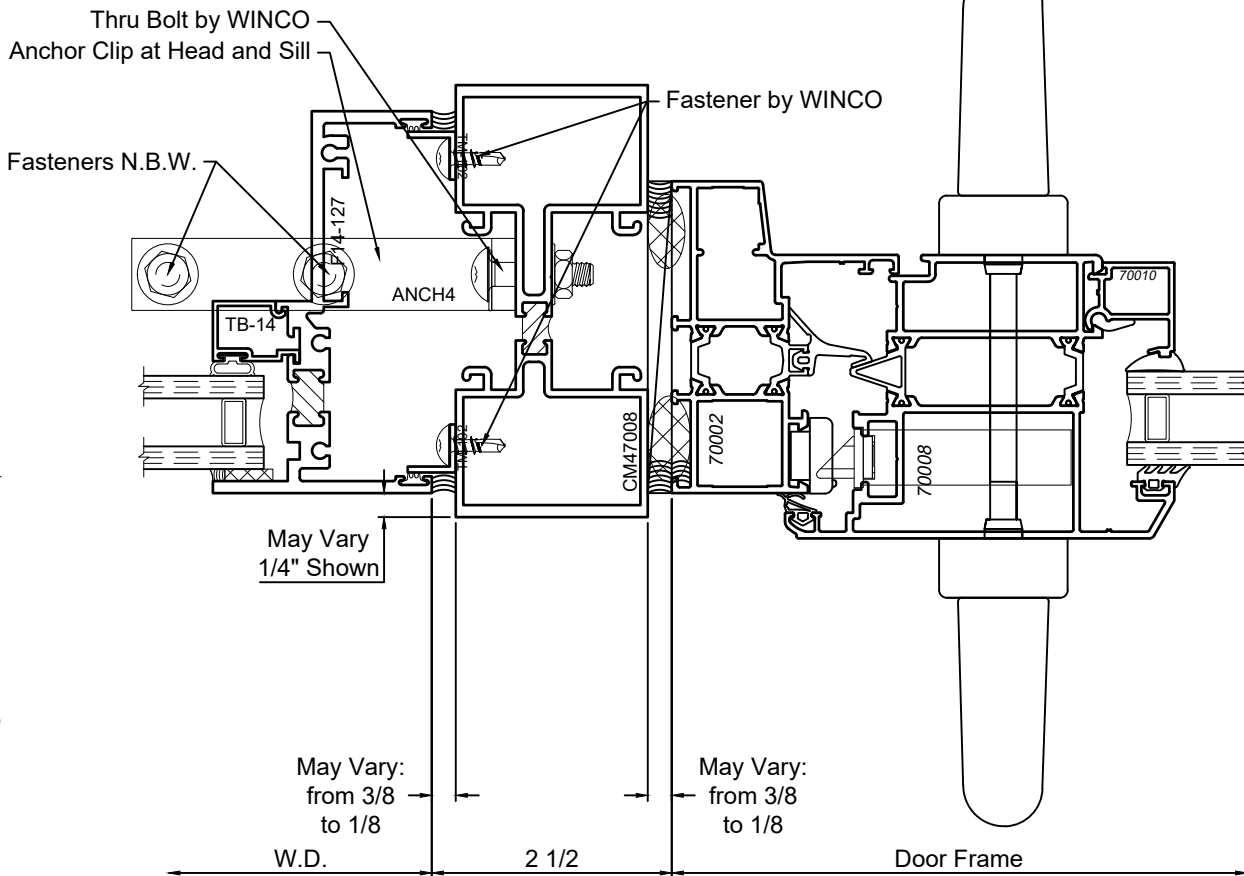
### Side Stack Framing at Window and Side Lite

WINCO RESERVES THE RIGHT TO MODIFY OR CHANGE INFORMATION WITHIN THIS BOOK WHEN DEEMED NECESSARY FOR PRODUCT IMPROVEMENT



### Side Stack Framing at Window and Door (Lock Side shown)

© WINCO WINDOW COMPANY, INC. 2026



SCALE 6"=1'-0"