

PERFORMANCE

The Series Transira™ Accessory Sash for Motorized Shades is a glazing Option / Product Configuration Enhancement which can be utilized as stand-alone window in the 3350 Series and as add-on interior window in combination with primary windows of any make up including but not limited to Storefront, Curtain Wall, Wood Windows, etc, also referred to as "retro-fit" option.

The stand-alone version in the 3350 series allows the primary sash to be opened for ventilation and, if sized accordingly, to be used as Secondary Means of Egress in compliance with NFPA-101. In addition to all trim configurations available for the 3350 series, a receptor system with integrated wire chase is available.

Refer to the 3350 Series for Air/Water/Structural rated performance.

The add-on / retro-fit interior configuration will permit maintenance access to the primary window, but can not be utilized for Ventilation or as Secondary Means of Egress.

Size Limitations are based on the hinge capacity of the concealed 4-bar arm in the accessory sash and the availability of glass, laminate or polycarbonate infill for the accessory sash. A minimum sash width is dictated by the housing size of the shade motor. The maximum sash height is limited by the diameter of the coiled up shade material. Since shade materials (fabrics & foils) differ in material thickness, the maximum sash height must be evaluated based on a project specific basis.

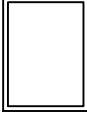

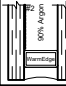

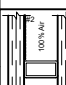
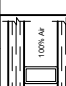
Transira™ Motorized Shade Accessory Sash Product Information



WINCO RESERVES THE RIGHT TO MODIFY OR CHANGE INFORMATION WITHIN THIS BOOK WHEN DEEMED NECESSARY FOR PRODUCT IMPROVEMENT

PERFORMANCE

The Series Transira™ Motorized Accessory Sash window is based on the 3350 series which is a thermally broken mainframe and sash that exceeds the performance specification criteria as required by ANSI/AAMA for AW (Architectural Grade) windows.

Fixed (Picture Window)  NAFS / AAMA 101 Test Size 60" x 99" Class: AW Performance Grade: 100 Air Infiltration: <0.03 CFM Water Infiltration Resistance: > 12 psf	 U _{COG} =0.20 Btu/hr-ft ² -°F Tripple Silver Low-E #2 x 90% Argon x Low-E No.4 example: SNX 62/27 or Solarban70 + IS20 or Sungate ThermL Accessory Sash: Clear Glass w/out additional Low-E Coating	NFRC Size ¹ 47" x 59" U _{Window} = __ Btu/h-ft ² -°f ² CI= __ (NFRC 501) ²	NAFS Size ³ 60" x 99" U _{Window} = __ Btu/h-ft ² -°f ⁴ CRF= __ (AAMA 1503) ⁵	
	 U _{COG} =0.24 Btu/hr-ft ² -°F Tripple Silver Low-E #2 x 90% Argon x Uncoated example: SNX 62/27 or Solarban70 Accessory Sash: Clear Glass w/out additional Low-E Coating	NFRC Size ¹ 47" x 59" U _{Window} = __ Btu/h-ft ² -°f ² CI= __ (NFRC 501) ²	NAFS Size ³ 60" x 99" U _{Window} = __ Btu/h-ft ² -°f ⁴ CRF= __ (AAMA 1503) ⁵	
	 U _{COG} =0.29 Btu/hr-ft ² -°F Double Silver Low-E #2 x 100% Air x Uncoated example: SN-68 or Solarban60 Accessory Sash: Clear Glass w/out additional Low-E Coating	NFRC Size ¹ 47" x 59" U _{Window} = __ Btu/h-ft ² -°f ² CI= __ (NFRC 501) ²	NAFS Size ³ 60" x 99" U _{Window} = __ Btu/h-ft ² -°f ⁴ CRF= __ (AAMA 1503) ⁵	
	Can be Configured for ADA Compliance <input checked="" type="checkbox"/> Not-Applicable <input type="checkbox"/> Yes	 U _{COG} =0.34 Btu/hr-ft ² -°F Single Silver Low-E #2 x 100% Air x Uncoated example: ES73 or Energy Advantage (Air, Aluminum Box-Spacer) Accessory Sash: Clear Glass w/out additional Low-E Coating	NFRC Size ¹ 47" x 59" U _{Window} = __ Btu/h-ft ² -°f ² CI= __ (NFRC 501) ²	NAFS Size ³ 60" x 99" U _{Window} = __ Btu/h-ft ² -°f ⁴ CRF= __ (AAMA 1503) ⁵
	Can be configured to meet Windborne Debris Impact Resistance to ASTM E1886 / ASTM E1996 <input type="checkbox"/> Not Rated <input checked="" type="checkbox"/> Missile "D" <input type="checkbox"/> Missile "E"	 U _{COG} =0.47 Btu/hr-ft ² -°F Uncoated x 100% Air x Uncoated example: Clear over Clear (Air, Aluminum Box-Spacer) Accessory Sash: Clear Glass w/out additional Low-E Coating	NFRC Size ¹ 47" x 59" U _{Window} = __ Btu/h-ft ² -°f ² CI= __ (NFRC 501) ²	NAFS Size ³ 60" x 99" U _{Window} = __ Btu/h-ft ² -°f ⁴ CRF= __ (AAMA 1503) ⁵
	Product Type may be configured for Blast Resistant Installation <input type="checkbox"/> No <input checked="" type="checkbox"/> Yes ⁶			

This information is based on current product design, sealed dual glazing, warm edge spacers and testing standards. Solar Heat Gain Coefficient (SHGC) is not predicted since this is highly variable with Glass Tint & Low-E Coating Product. Please contact WINCO for project specific information.

¹ NFRC 101 Test & Rating Size

² Based on NFRC 100/200/500 Rating and LBNL Window 7.8 Simulations following NFRC Protocols

³ AAMA 101 (NAFS) Gateway Test Size

⁴ Based on LBNL Window Simulations following NFRC Protocols

⁵ AAMA 101 Test Size and AAMA 1503 Test Protocol

⁶ Blast Resistant Configuration is highly dependant on Product Size, Blast Design Load(s) and Project Specific Glass, Frame & Connection Response (Required Level of Protection, Allowable Hazard Level)

© WINCO WINDOW COMPANY, INC. 2026

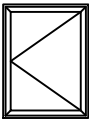
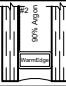


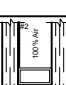
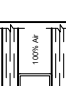
Transira™ Motorized Shade Accessory Sash Product Information



WINCO RESERVES THE RIGHT TO MODIFY OR CHANGE INFORMATION WITHIN THIS BOOK WHEN DEEMED NECESSARY FOR PRODUCT IMPROVEMENT

PERFORMANCE

The Series Transira™ Motorized Accessory Sash window is based on the 3350 series which is a thermally broken mainframe and sash that exceeds the performance specification criteria as required by ANSI/AAMA for AW (Architectural Grade) windows.

 <p>NAFS / AAMA 101 Test Size 36" x 60" Class: AW Performance Grade: 120 Air Infiltration: <0.02 CFM Water Infiltration Resistance: > 12 psf</p>	 U _{COG} =0.20 Btu/hr-ft ² -°F Tripple Silver Low-E #2 x 90% Argon x Low-E No.4 example: SNX 62/27 or Solarban70 + IS20 or Sungate ThermoL Accessory Sash: Clear Glass w/out additional Low-E Coating	NFRC Size ¹ 24" x 59" U _{Window} = __ Btu/h-ft ² -°f ² CI= __ (NFRC 501) ²	NAFS Size ³ 36" x 60" U _{Window} = __ Btu/h-ft ² -°f ⁴ CRF= __ (AAMA 1503) ⁵	
	 U _{COG} =0.24 Btu/hr-ft ² -°F Tripple Silver Low-E #2 x 90% Argon x Uncoated example: SNX 62/27 or Solarban70 Accessory Sash: Clear Glass w/out additional Low-E Coating	NFRC Size ¹ 24" x 59" U _{Window} = __ Btu/h-ft ² -°f ² CI= __ (NFRC 501) ²	NAFS Size ³ 36" x 60" U _{Window} = __ Btu/h-ft ² -°f ⁴ CRF= __ (AAMA 1503) ⁵	
	 U _{COG} =0.29 Btu/hr-ft ² -°F Double Silver Low-E #2 x 100% Air x Uncoated example: SN-68 or Solarban60 Accessory Sash: Clear Glass w/out additional Low-E Coating	NFRC Size ¹ 24" x 59" U _{Window} = __ Btu/h-ft ² -°f ² CI= __ (NFRC 501) ²	NAFS Size ³ 36" x 60" U _{Window} = __ Btu/h-ft ² -°f ⁴ CRF= __ (AAMA 1503) ⁵	
	Can be Configured for ADA Compliance <input type="checkbox"/> Not-Applicable <input checked="" type="checkbox"/> Yes	 U _{COG} =0.34 Btu/hr-ft ² -°F Single Silver Low-E #2 x 100% Air x Uncoated example: ES73 or Energy Advantage (Air, Aluminum Box-Spacer) Accessory Sash: Clear Glass w/out additional Low-E Coating	NFRC Size ¹ 24" x 59" U _{Window} = __ Btu/h-ft ² -°f ² CI= __ (NFRC 501) ²	NAFS Size ³ 36" x 60" U _{Window} = __ Btu/h-ft ² -°f ⁴ CRF= __ (AAMA 1503) ⁵
	Can be configured to meet Windborne Debris Impact Resistance to ASTM E1886 / ASTM E1996 <input type="checkbox"/> Not Rated <input checked="" type="checkbox"/> Missile "D" <input type="checkbox"/> Missile "E"	 U _{COG} =0.47 Btu/hr-ft ² -°F Uncoated x 100% Air x Uncoated example: Clear over Clear (Air, Aluminum Box-Spacer) Accessory Sash: Clear Glass w/out additional Low-E Coating	NFRC Size ¹ 24" x 59" U _{Window} = __ Btu/h-ft ² -°f ² CI= __ (NFRC 501) ²	NAFS Size ³ 36" x 60" U _{Window} = __ Btu/h-ft ² -°f ⁴ CRF= __ (AAMA 1503) ⁵
	Product Type may be configured for Blast Resistant Installation <input type="checkbox"/> No <input checked="" type="checkbox"/> Yes ⁶			

This Information is based on current product design, sealed dual glazing, warm edge spacers and testing standards. Solar Heat Gain Coefficient (SHGC) is not predicted since this is highly variable with Glass Tint & Low-E Coating Product. Please contact WINCO for project specific information.

¹ NFRC 101 Test & Rating Size

² Based on NFRC 100/200/500 Rating and LBNL Window 7.8 Simulations following NFRC Protocols

³ AAMA 101 (NAFS) Gateway Test Size

⁴ Based on LBNL Window Simulations following NFRC Protocols

⁵ AAMA 101 Test Size and AAMA 1503 Test Protocol

⁶ Blast Resistant Configuration is highly dependant on Product Size, Blast Design Load(s) and Project Specific Glass, Frame & Connection Response (Required Level of Protection, Allowable Hazard Level)

© WINCO WINDOW COMPANY, INC. 2026

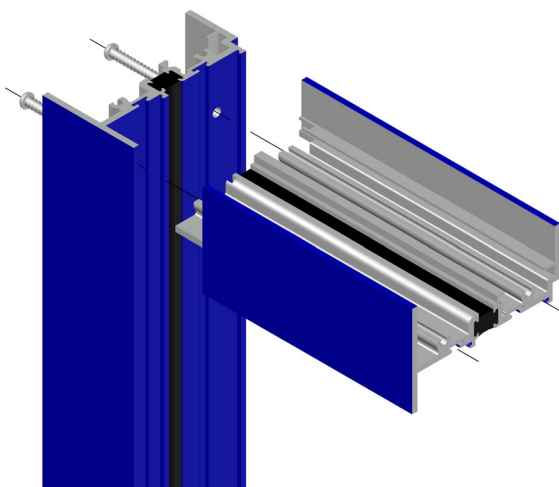
CONSTRUCTION

MATERIAL - The Series Transira™ configuration is designed for the 3350 series window with a 3-1/2" deep frame depth with a nominal wall thickness of .125 inch. All material is extruded from 6063-T6 alloy.

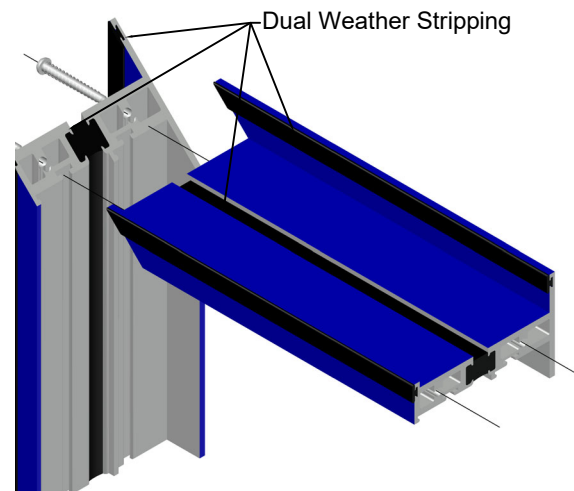
THERMAL BREAK - All framing members of the window system are thermally broken. Winco uses the Azon Azo Brader® process to mechanically condition the surface of the thermal cavity. The process runs the entire length of the extrusion and creates serrations that ensure proper adhesion of the structural polymer. The structural urethane is a high density 2 part formula providing optimum thermal performance for the most demanding conditions. The combination of the conditioning of the aluminum surface along with the two part urethane allows Winco to provide a full 10 year warranty against thermal break creep and shrinkage in accordance with AAMA 505-17.

WEATHER-STRIP - All operating ventilators have a double Santoprene®, non-shrinking dual durometer, thermoplastic rubber weather-stripping around the perimeter. One interior and one exterior.

FABRICATION - The main frame corners are coped and mechanically joined using two stainless steel spline screws per corner (fig 1). The vent is a hollow tube shaped extrusion for superior strength and rigidity. Vent corners are fully mitered and mechanically joined using two stainless steel spline screws per corner, aligning the members to form a hairline joint (fig 2). All frame joints are back sealed with small joint seam sealer providing a water tight joinery.



(fig 1) Main Frame Construction



(fig 2) Vent Construction

Transira™ Motorized Shade Accessory Sash Product Information - Glass Options & Combination



GLAZING

The windows is interior glazed with .050 thick extruded aluminum glazing beads accommodating thickness of 1/4" monolithic or 1" for Insulated Glass Unit (I.G.U.).

Dual or triple glazing are optional utilizing an interior panel sash that is hinged with 4-bar stainless steel hinges. A lift-out sash is not a feasible option due to the wiring requirements for the roller shade.

Default is a motorized roller shade with a wired connection for power & control. A solar powered wireless option is available, but has limited application options of grouping and without communication with a Building Management System (BMS).

Roller shades are the default configuration, but Venetian blinds are also available.

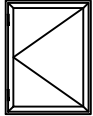
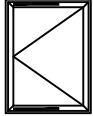
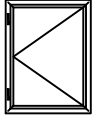
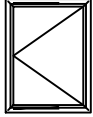
For actual details refer to the detail section in this Transira™ product brochure.

WINCO RESERVES THE RIGHT TO MODIFY OR CHANGE INFORMATION WITHIN
THIS BOOK WHEN DEEMED NECESSARY FOR PRODUCT IMPROVEMENT

© WINCO WINDOW COMPANY, INC. 2026

HARDWARE - Casement Configurations

All exposed locking hardware, strikes and keepers are solid white bronze alloy with US25D brushed finish. All four bar arms, casement arms, friction arms and key release limit arms are stainless steel conforming to AAMA 904.1. Five knuckle butt hinges are fabricated of 6063-T6 aluminum with nylon bushings and a stainless steel hinge pin.

	<p>Project Out Casement (POC) w/ Butt Hinges</p> <p>Butt Hinges² Stainless Steel Friction Adjuster Single Point or Multi-Point Lift Lock(s)¹</p>	<p><u>Optional Hardware Accessories:</u> Casement Roto Operator Access Control Lift Locks Pole Ring Lift Lock(s)¹ Pole Ring Non-Removable Limit Stop Key-Release Limit Stop</p>
	<p>Project Out Casement (POC) w/ Concealed Hinges</p> <p>Stainless Steel 4-Bar Casement Hinges Single Point or Multi-Point Lift Lock(s)¹</p>	<p><u>Optional Hardware Accessories:</u> Casement Roto Operator³ Access Control Lift Locks Pole Ring Lift Lock(s)¹ Pole Ring Non-Removable Limit Stop Key-Release Limit Stop</p>
	<p>Project In Casement (PIC) w/ Butt Hinges</p> <p>Butt Hinges² Stainless Steel Friction Adjuster Single Point or Multi-Point Lift Lock(s)¹</p>	<p><u>Optional Hardware Accessories:</u> Access Control Lift Locks Pole Ring Lift Lock(s)¹ Pole Ring Non-Removable Limit Stop Key-Release Limit Stop</p>
	<p>Project In Casement (PIC) w/ Concealed Hinges</p> <p>Stainless Steel 4-Bar Casement Hinges Single Point or Multi-Point Lift Lock(s)¹</p>	<p><u>Optional Hardware Accessories:</u> Access Control Lift Locks Pole Ring Lift Lock(s)¹ Pole Ring Non-Removable Limit Stop Key-Release Limit Stop</p>

Please contact WINCO for project specific information

¹ Lock Quantity is dependent on Operable Vent Width & Height, Additional Locks can be specified, but minimum Qty is determined by WINCO Engineering

² Butt Hinge Quantity is dependent on Operable Vent Height, Additional Hinges can be specified, but minimum Qty is determined by WINCO Engineering

³ Combination of Casement Roto Operator and Concealed Hinges requires minimum Operable Vent Width to accommodate Hardware

Transira™ Motorized Shade Accessory Sash

Product Information - Electrical Control & Operation Options



WINCO RESERVES THE RIGHT TO MODIFY OR CHANGE INFORMATION WITHIN THIS BOOK WHEN DEEMED NECESSARY FOR PRODUCT IMPROVEMENT

All connections between Somfy™ Power Panels and the blind motors are w/ 24V Sonesse® Ultra 30 Power & RS 485 Data Cables in a parallel configuration w/ One (1) cable per motor / blind unit. Each cable contains 2 strands of 14 ga wire to supply 24V DC power to the blind motors, and a bundle of RS-485 wires for data / signal transfer to and from the blind motors.

All connection between Somfy™ Data Panels and Somfy™ Power Panels are w/ Cat 5e Networking data cables in a daisy chain configuration. In some configurations, the Somfy™ Data Panels can be replaced with a Somfy™ Bus Power Supply or be omitted altogether.

All connections between Somfy™ Power Panels and Somfy™ Key Pads are w/ Cat 5e Networking data cables.

Each Somfy™ Power Panel can accommodate 2 devices (Key Pads, RTS Receiver, SDX Hub, etc.). Should more than 2 devices (key pads) be required, a SDX hub must be used to expand the device capacity of the Somfy™ Power Panel. If SDX data Hubs are used, they will be housed within the Somfy™ Power Panel.

The Somfy™ Power Panel must be located within 240 ft direct distance to the furthest shade it powers. The Somfy™ Power Panel only provides 24V DC power for the shade motors. It does not energize the RS485 Bus Line side of the system / network. The Key Pads must be located within 200 ft from the Somfy™ Power Panel.

The Somfy™ Somfy™ Key Pads** should be located within the same room as the shades they control. Wireless Control of the shades is possible via an RTS receiver or in an Internet Control Interface.

The Somfy™ Somfy™ Data Panel can be located anywhere* within the building.

If the Shades will not to be connected to the Building's Lighting or Building Management System, a Somfy™ Data Panel is not required, but the system will require a Bus Power Supply at each Somfy™ Power Panel to power the communications side between Somfy™ Power Panel, Somfy™ Shade Motors and the Key Pad(s).

Installations with Solar powered RTS shade motors or Zigby™ shade motors do not require a set of ladder diagram and line diagram drawings since these devices are not designed to be networked into an SDN system. Also, such an installation is not be suitable for integration into a Building Management System (BMS) or Building Automation System (BAS).

* Power consumption of data cable runs is cumulative and limited to 4000ft max per Somfy™ Data Panel.

** The Somfy™ Key Pads require a 3-1/2" Deep Gang Box

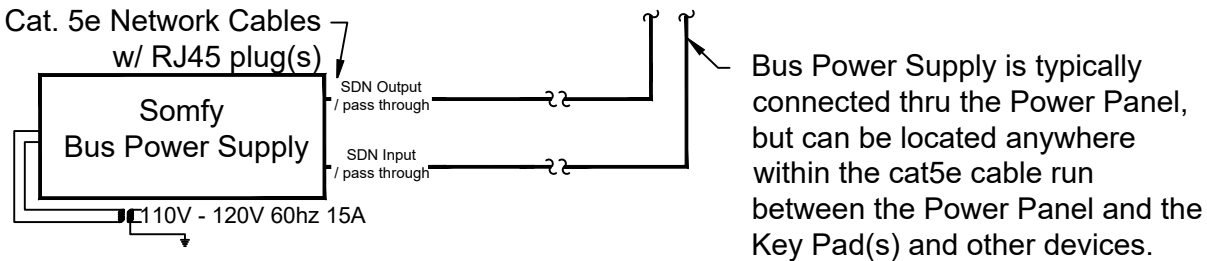
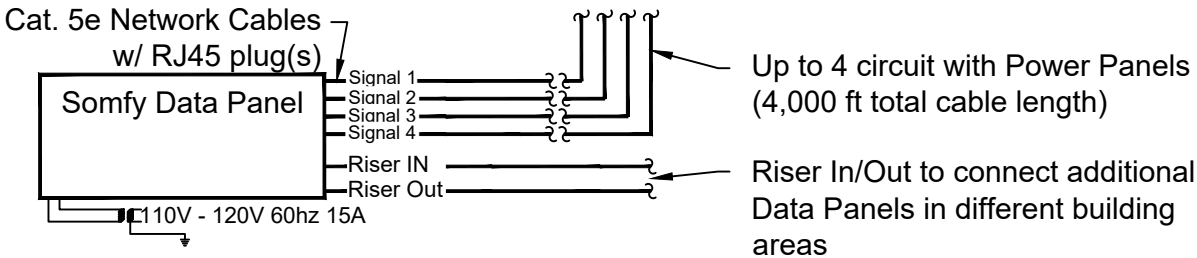
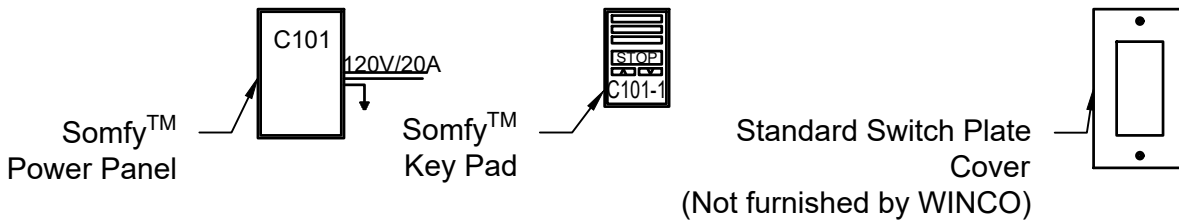
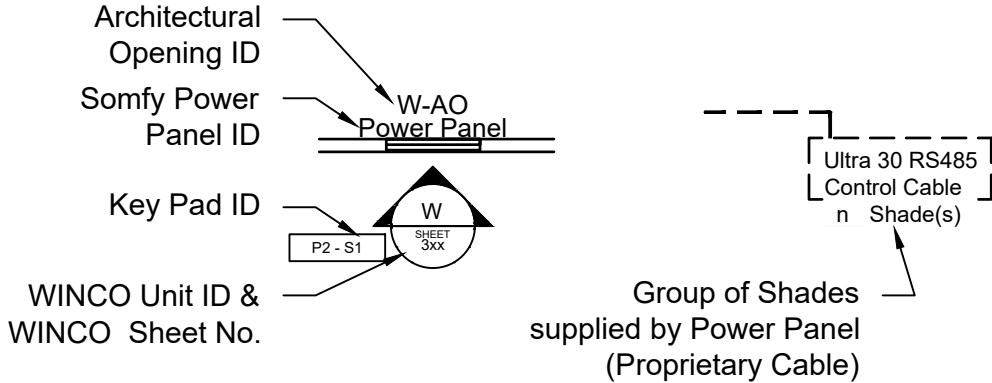
© WINCO WINDOW COMPANY, INC. 2020

Transira™ Motorized Shade Accessory Sash

Product Information - Symbols used on Shop & Line Drawings



Symbols used on WINCO Floor Plans, Ladder Diagrams & Line Drawings for Transira™ Accessory Sash equipped windows.



Cat 5e Network Data Cable
(A number of colors are commercially available)
Runs between Data & Power Panels, Key Pads
and additional network devices

Sonesse® Ultra 30 RS485
24V DC Power & Control Cable
(cable color = Yellow, no choice available)
Runs between Power Panel(s) and Shade Motors

While WINCO Line Drawings will indicate the general location of Somfy™ Data Panels, Somfy™ Power Panels, Key Pads, etc. by Room Number, the actual position within the room for the depicted components must be clearly indicated during the drawings review process by the Architect or other Building Owner's representative, or the electrical contractor will be at liberty for choosing the most appropriate / convenient installation spot from their perspective at time of installation.

The cable runs indicated on WINCO's plans show which cable type is used to connect the individual components, but does not dictate the actual path the cable will follow through the building.

WINCO RESERVES THE RIGHT TO MODIFY OR CHANGE INFORMATION WITHIN THIS BOOK WHEN DEEMED NECESSARY FOR PRODUCT IMPROVEMENT

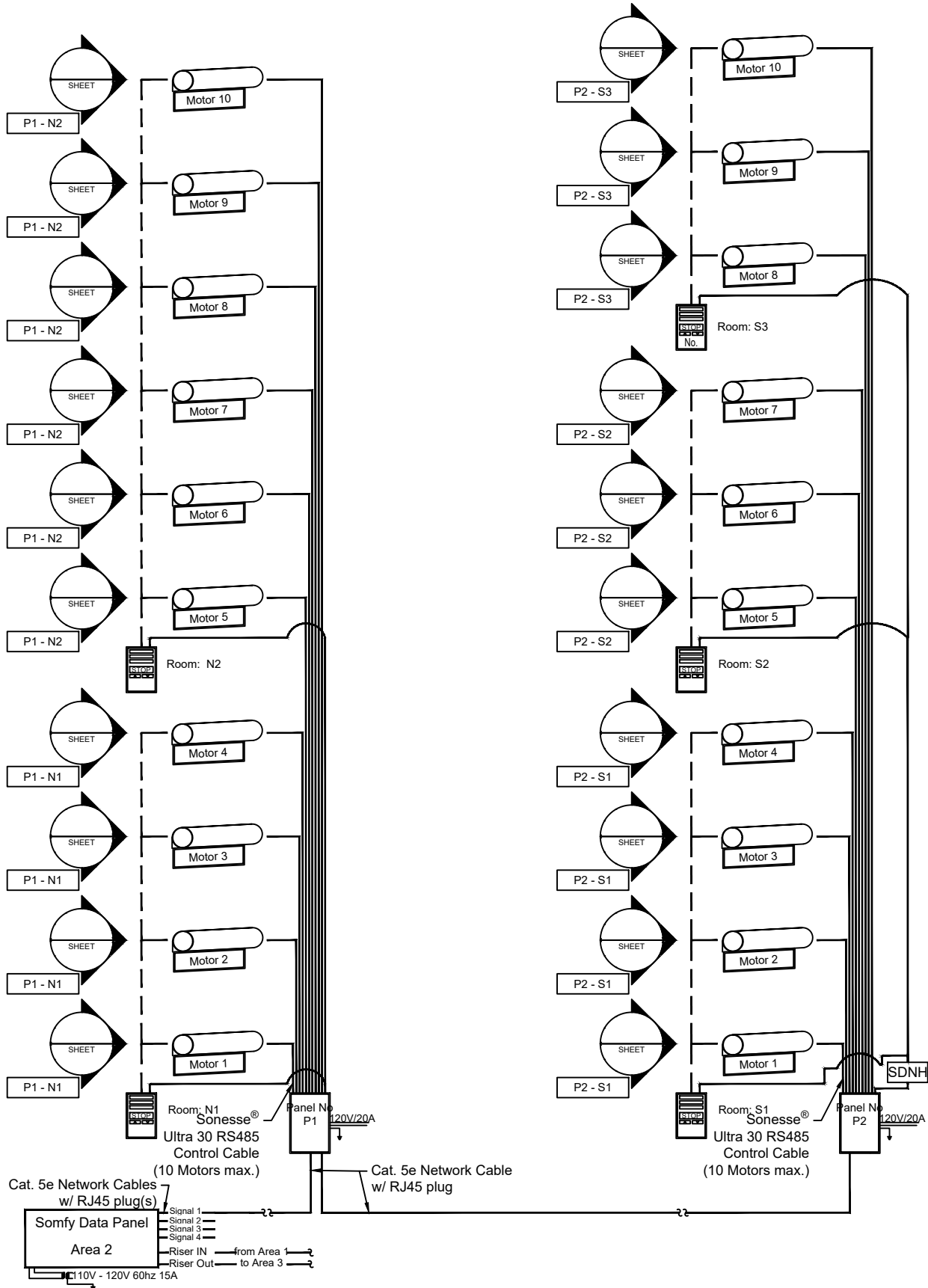
© WINCO WINDOW COMPANY, INC. 2020

Transira™ Motorized Shade Accessory Sash Product Information - Typical Installation - Ladder Diagram



WINCO RESERVES THE RIGHT TO MODIFY OR CHANGE INFORMATION WITHIN THIS BOOK WHEN DEEMED NECESSARY FOR PRODUCT IMPROVEMENT

© WINCO WINDOW COMPANY, INC. 2020

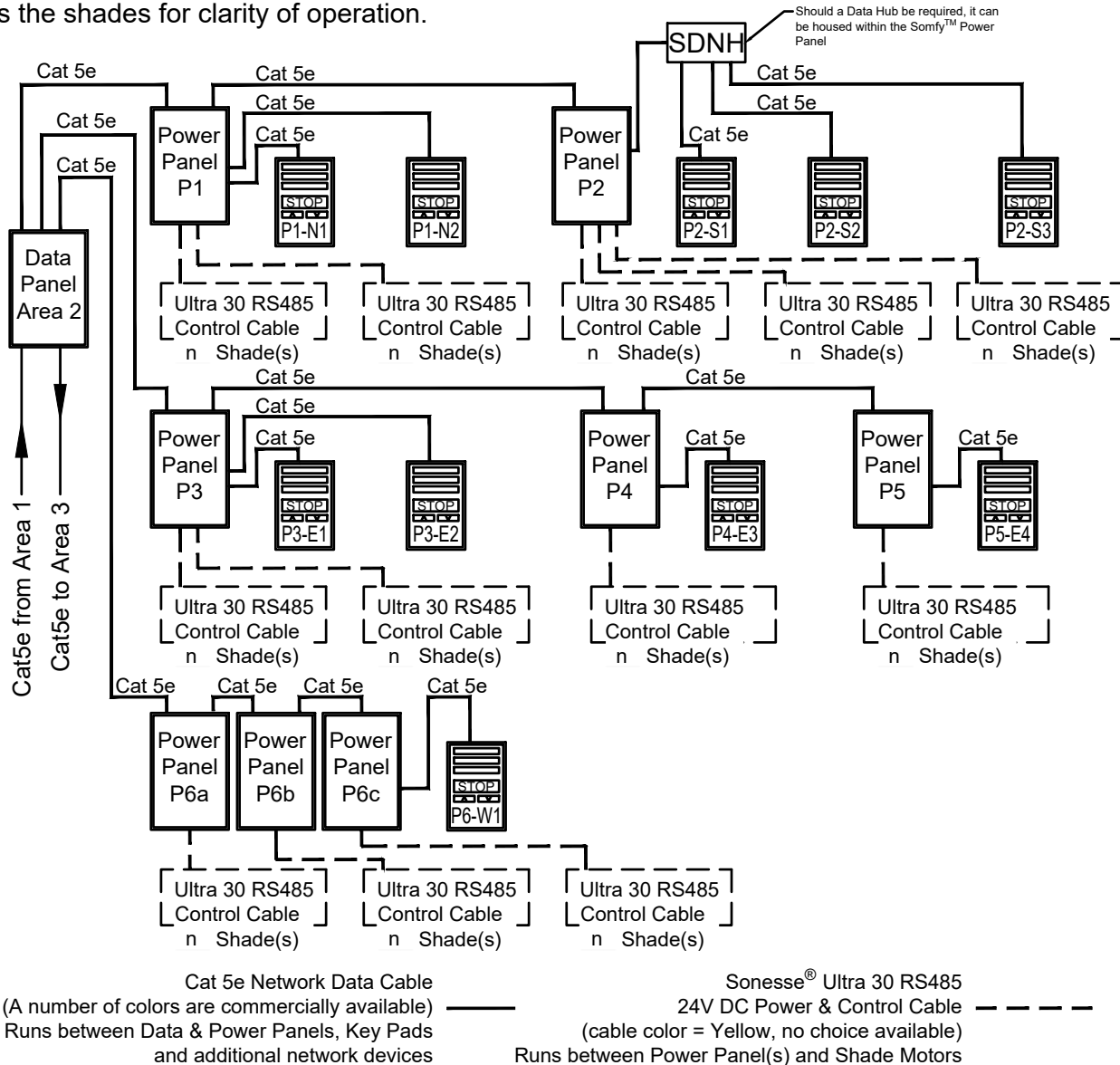


Transira™ Motorized Shade Accessory Sash Product Information -Typical Installation - Line Drawing



Below is a line drawing outlining a typical SDN network utilizing Somfy™ Data Panels
A key pad can address multiple groups for shades, but should be located within the same room as the shades for clarity of operation.

WINCO RESERVES THE RIGHT TO MODIFY OR CHANGE INFORMATION WITHIN THIS BOOK WHEN DEEMED NECESSARY FOR PRODUCT IMPROVEMENT



A Somfy™ Data Panel is optional for the shade function, but is required for an installation with multiple rooms and multiple Somfy™ Power Panels to function as a network. Each Somfy™ Data Panel can support up to Four (4) individual SDN loops with a total cumulative cable length of 4,000 ft. Should the Somfy™ Data Panel be omitted, each power panel will require the installation of a Somfy™ Bus Power Supply to supply communications power for the Key Pad(s). Each Somfy™ Power Panel can support up to 10 shade motors and has ports for 2 Key Pads or other devices. Should more than 2 key pads be required, a SDNH (Hub) can be added, trading One (1) device port for an additional 4 ports. Rooms with more than 10 shades will require multiple Somfy™ Power Panels to be "daisy chained" in order to provide DC power for the shade motors. "Daisy chained" Somfy™ Power Panels can share a single Bus Power Supply, since the current draw on the communications side is very low.

© WINCO WINDOW COMPANY, INC. 2020

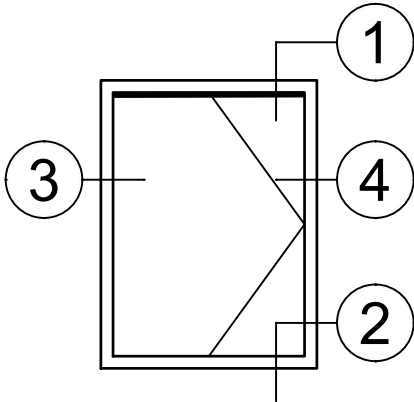
Transira™ Motorized Shade Accessory Sash

Product Details - Accessory Sash in Retro-fit Configuration

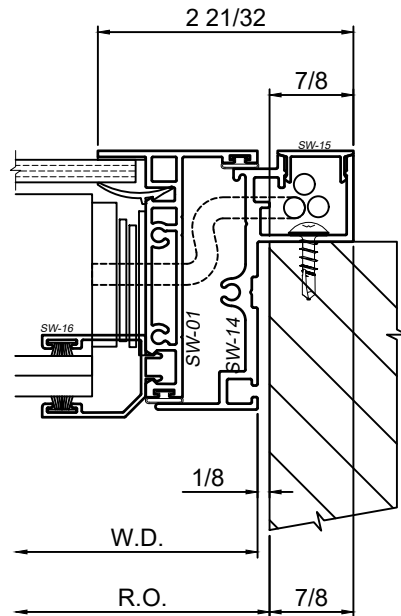
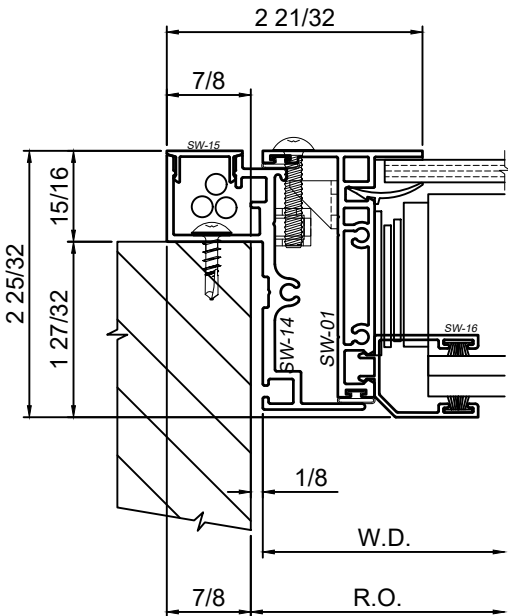
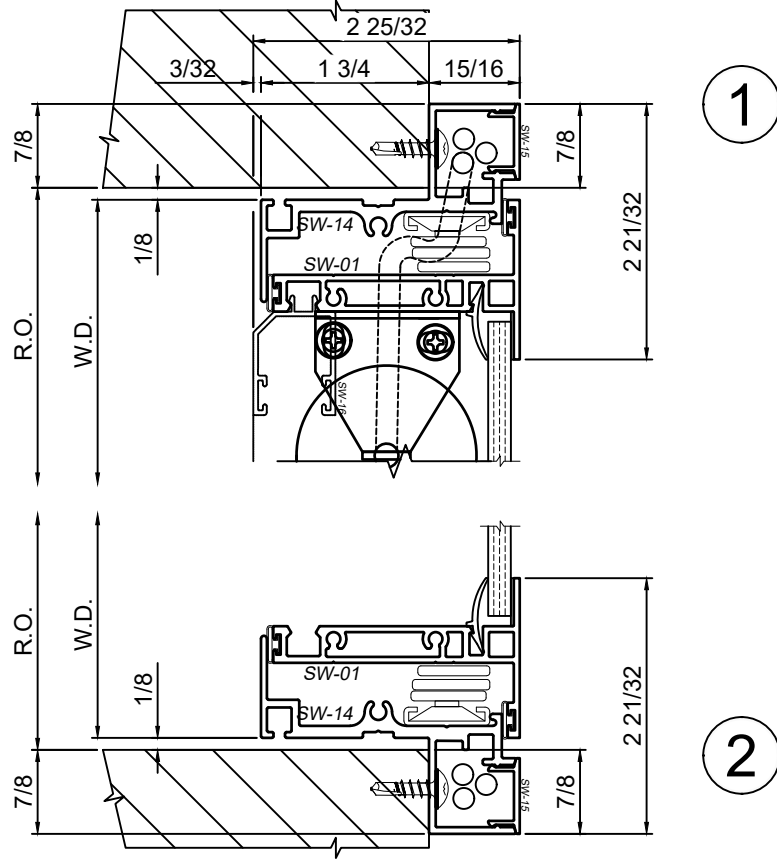


Note: Multiple configurations of this window system are available. Refer to the WINCO website for additional options or contact your local WINCO Sales Representative for information.

WINCO RESERVES THE RIGHT TO MODIFY OR CHANGE INFORMATION WITHIN THIS BOOK WHEN DEEMED NECESSARY FOR PRODUCT IMPROVEMENT



The Retro-fit Configuration is designed to be used in conjunction with new or existing Storefront, Curtain Wall or inboard of existing primary windows. While the accessory sash containing the motorized shade can be opened for maintenance purposes, it is not intended to be opened for ventilation. Shimming not shown in these graphics for clarity of system.



SCALE 6"=1'-0"

3

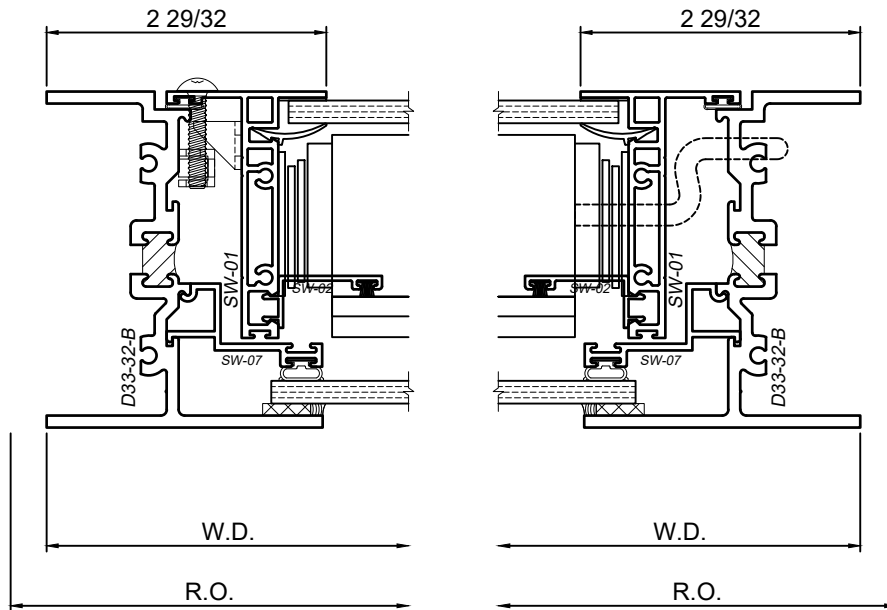
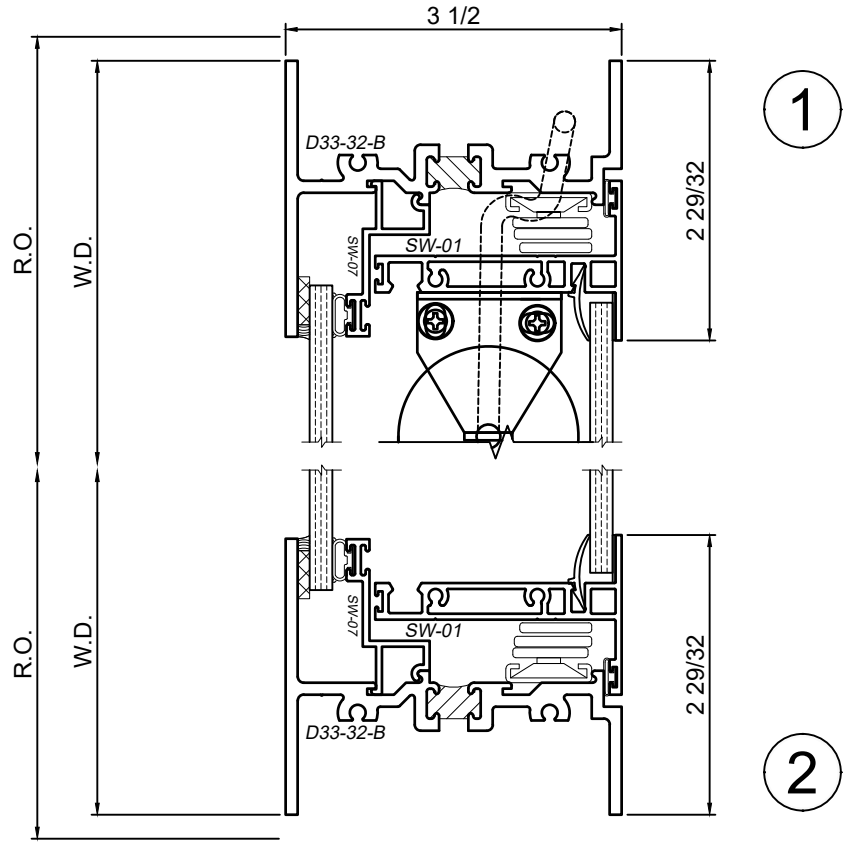
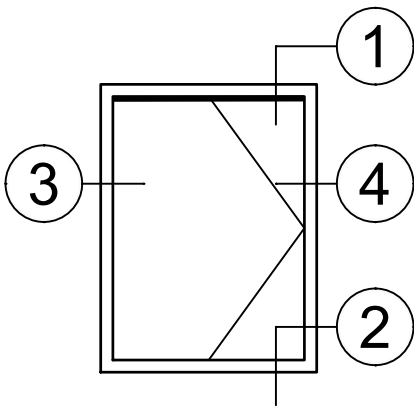
4

Transira™ Motorized Shade Accessory Sash in 3350 Frame Product Details - Fixed Configuration



Note: Multiple configurations of this window system are available. Refer to the WINCO website for additional options or contact your local WINCO Sales Representative for information.

WINCO RESERVES THE RIGHT TO MODIFY OR CHANGE INFORMATION WITHIN THIS BOOK WHEN DEEMED NECESSARY FOR PRODUCT IMPROVEMENT



SCALE 6"=1'-0"

3

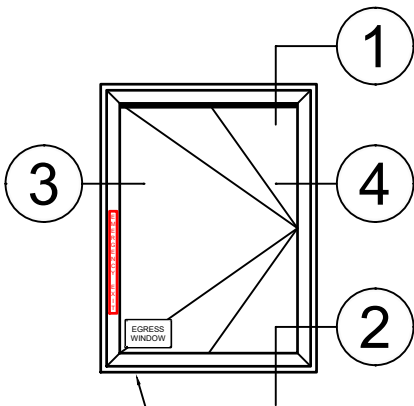
4

Transira™ Motorized Shade Accessory Sash in 3350 Frame Product Details - Casement Configuration

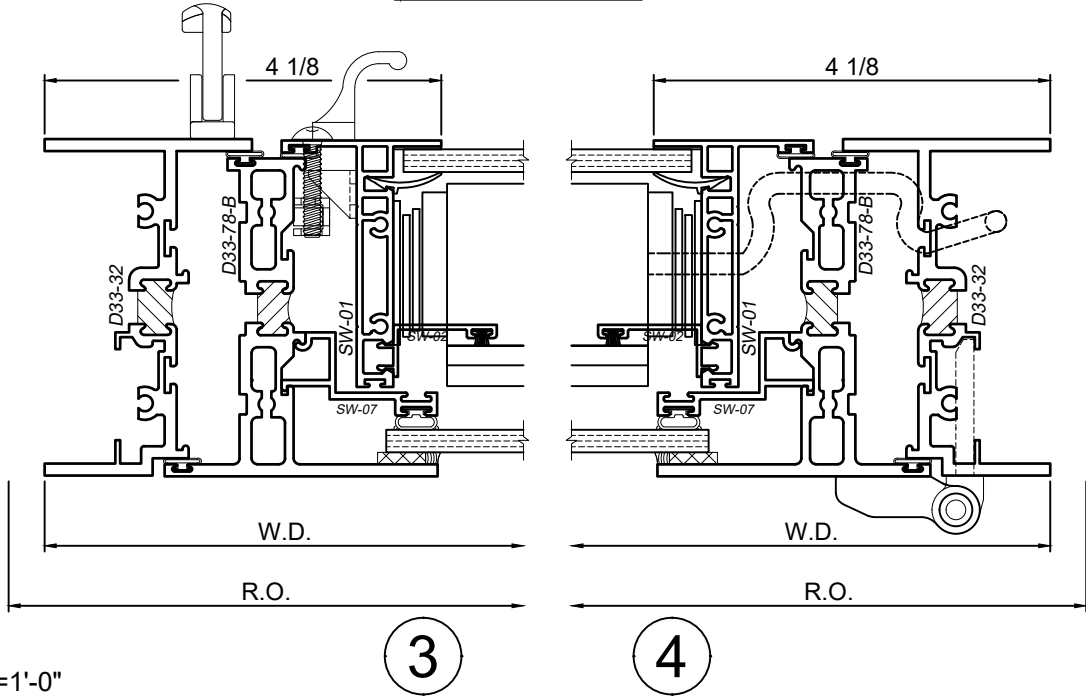
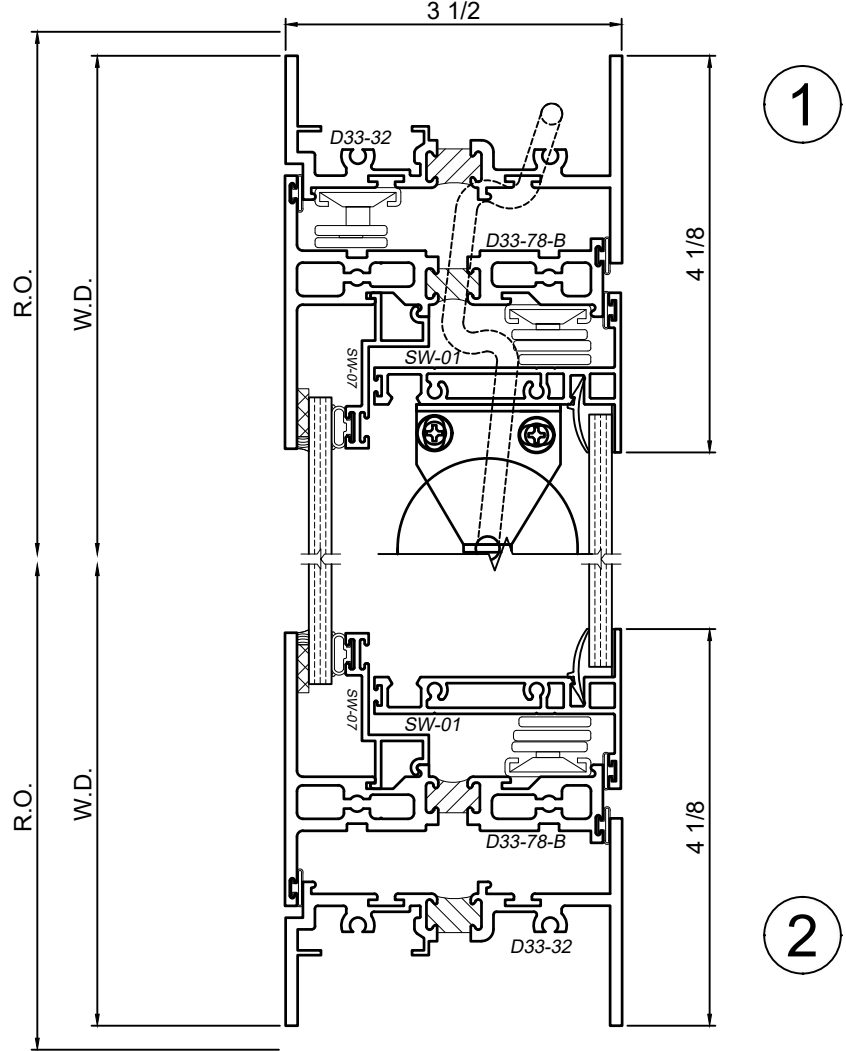


Note: Multiple configurations of this window system are available. Refer to the WINCO website for additional options or contact your local WINCO Sales Representative for information.

WINCO RESERVES THE RIGHT TO MODIFY OR CHANGE INFORMATION WITHIN THIS BOOK WHEN DEEMED NECESSARY FOR PRODUCT IMPROVEMENT



Vent can be configured to meet NFPA 101 requirements for use as Means of Secondary Egress if Minimum size limits are met.



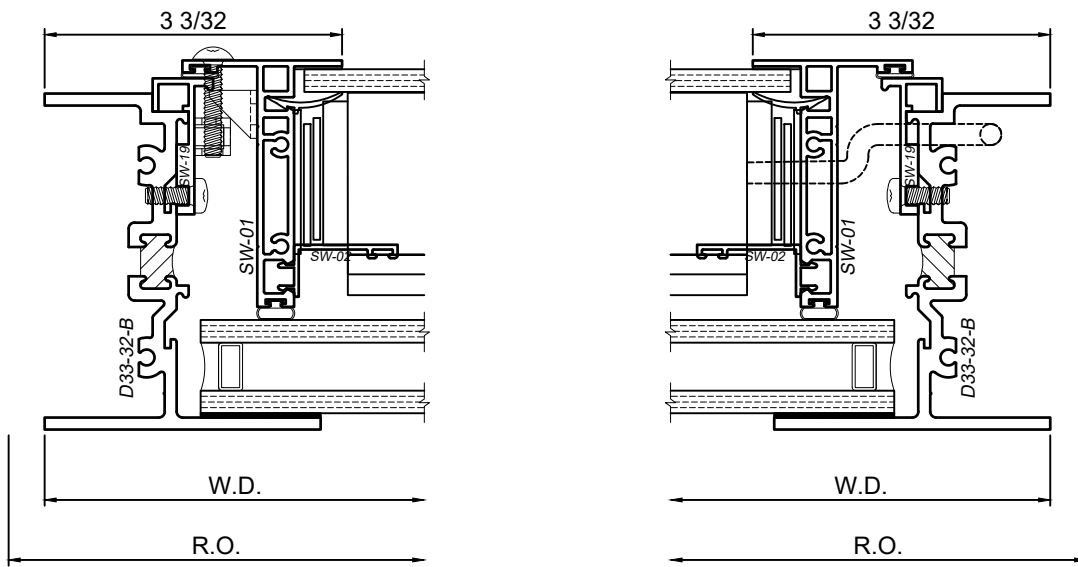
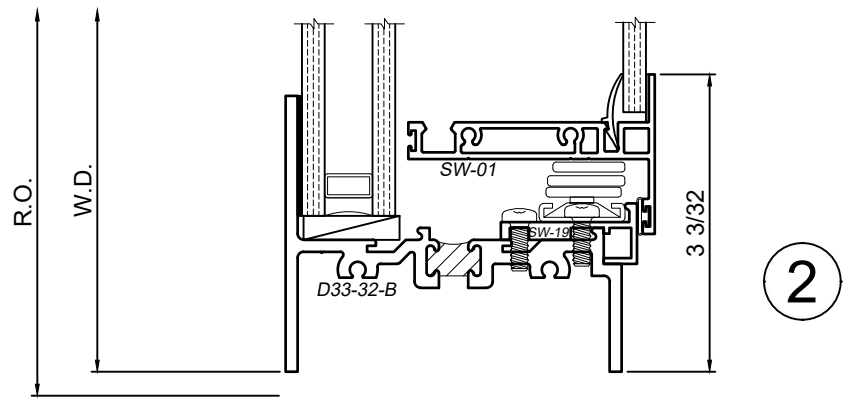
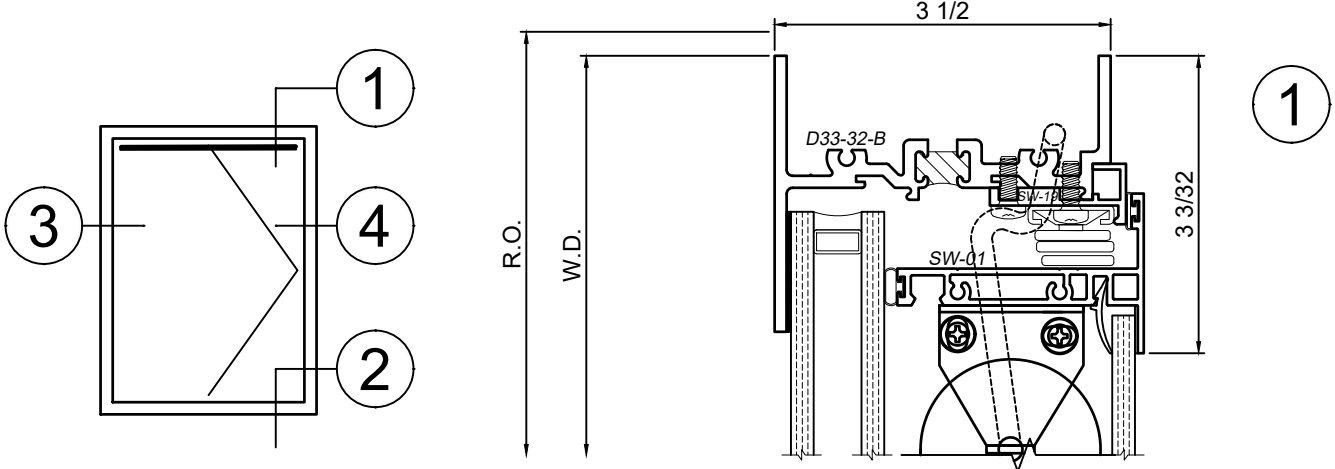
SCALE 6"=1'-0"

Transira™ Motorized Shade Accessory Sash in 3350 Frame Product Details - Fixed Configuration w/ 1" Insulated Glazing



Note: Multiple configurations of this window system are available. Refer to the WINCO website for additional options or contact your local WINCO Sales Representative for information.

WINCO RESERVES THE RIGHT TO MODIFY OR CHANGE INFORMATION WITHIN THIS BOOK WHEN DEEMED NECESSARY FOR PRODUCT IMPROVEMENT



3

4

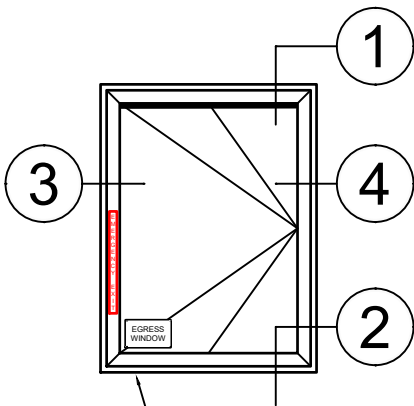
SCALE 6"=1'-0"

Transira™ Motorized Shade Accessory Sash in 3350 Frame Product Details - Casement Configuration w/ 1" Insulated Glazing

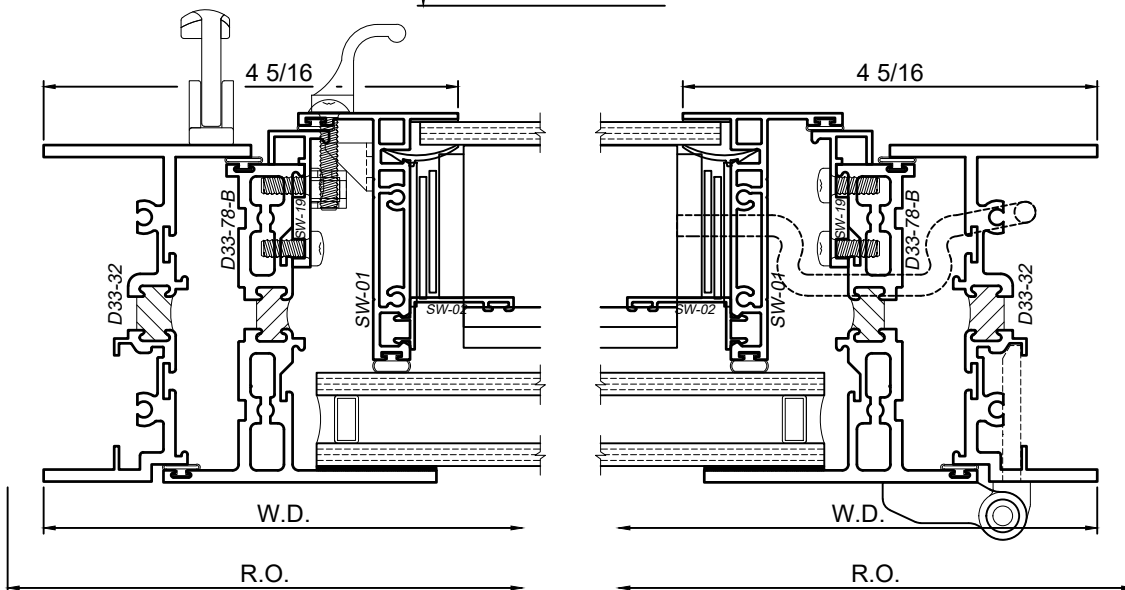
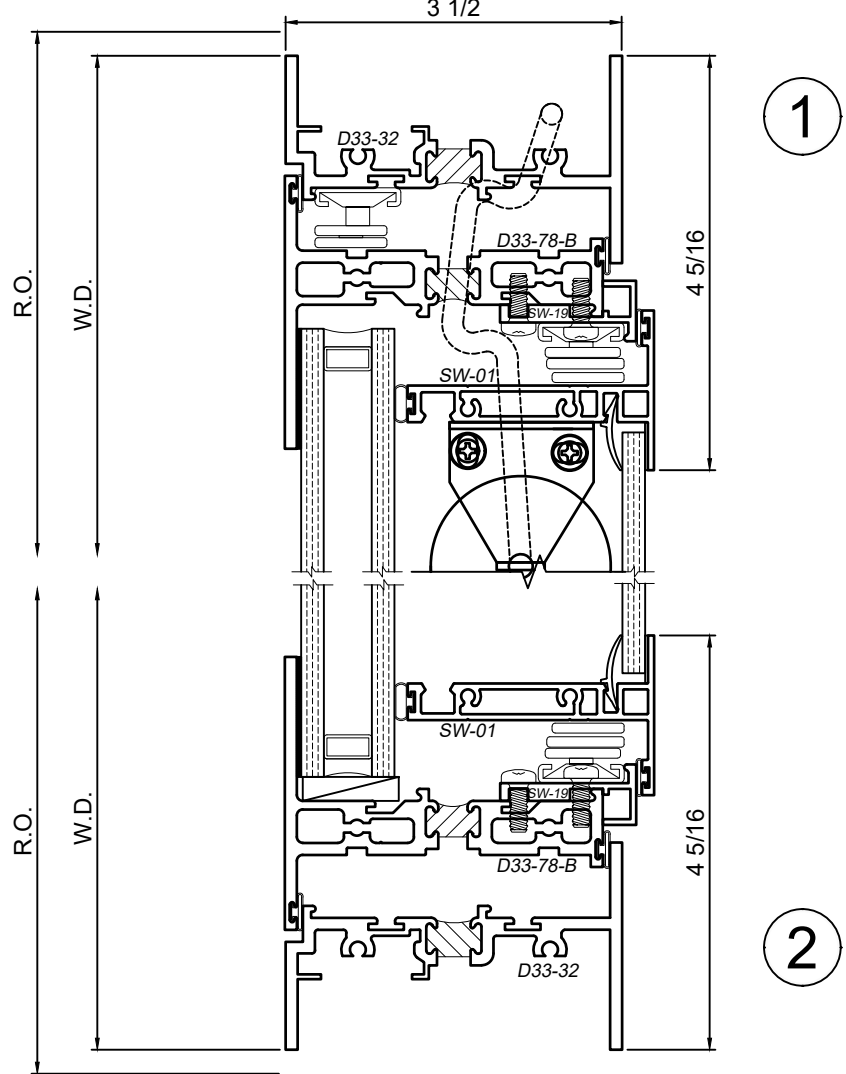


Note: Multiple configurations of this window system are available. Refer to the WINCO website for additional options or contact your local WINCO Sales Representative for information.

WINCO RESERVES THE RIGHT TO MODIFY OR CHANGE INFORMATION WITHIN THIS BOOK WHEN DEEMED NECESSARY FOR PRODUCT IMPROVEMENT



Vent can be configured to meet NFPA 101 requirements for use as Means of Secondary Egress if Minimum size limits are met.



SCALE 6"=1'-0"

3

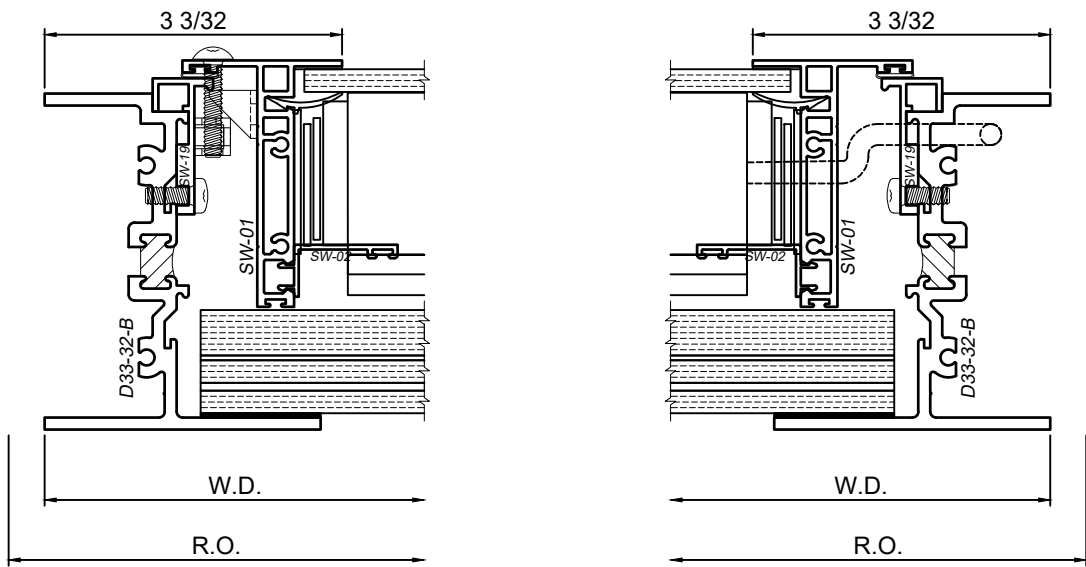
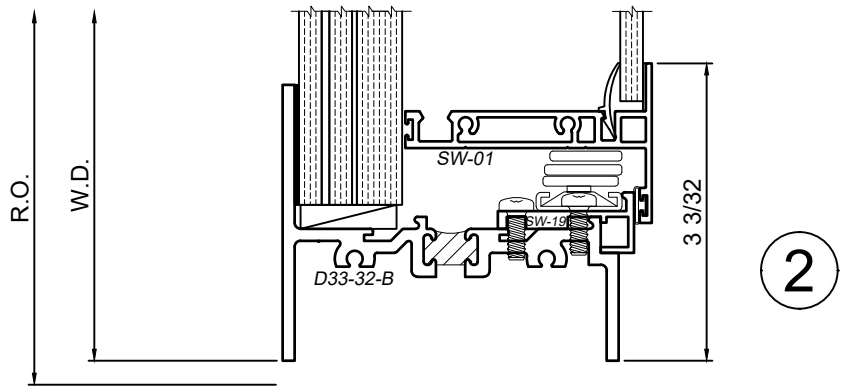
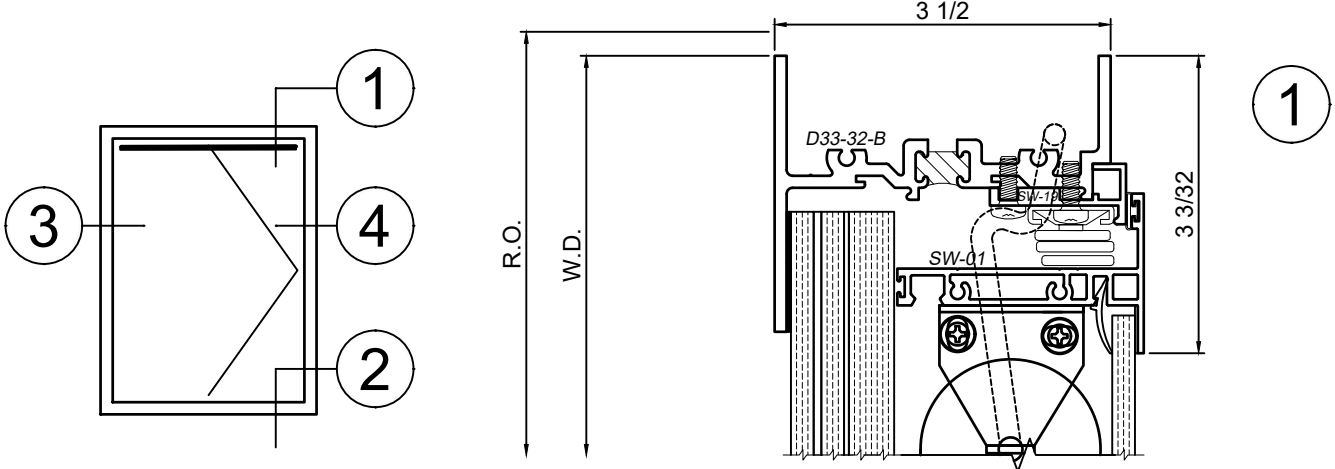
4

Transira™ Motorized Shade Accessory Sash in 3350 Frame Product Details - Fixed Configuration w/ BR-2 Ballistic Glazing



Note: Multiple configurations of this window system are available. Refer to the WINCO website for additional options or contact your local WINCO Sales Representative for information.

WINCO RESERVES THE RIGHT TO MODIFY OR CHANGE INFORMATION WITHIN THIS BOOK WHEN DEEMED NECESSARY FOR PRODUCT IMPROVEMENT



3

4

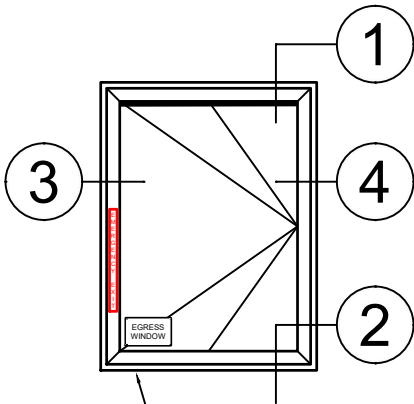
SCALE 6"=1'-0"

Transira™ Motorized Shade Accessory Sash in 3350 Frame Product Details - Casement Configuration w/ BR-2 Ballistic Glazing

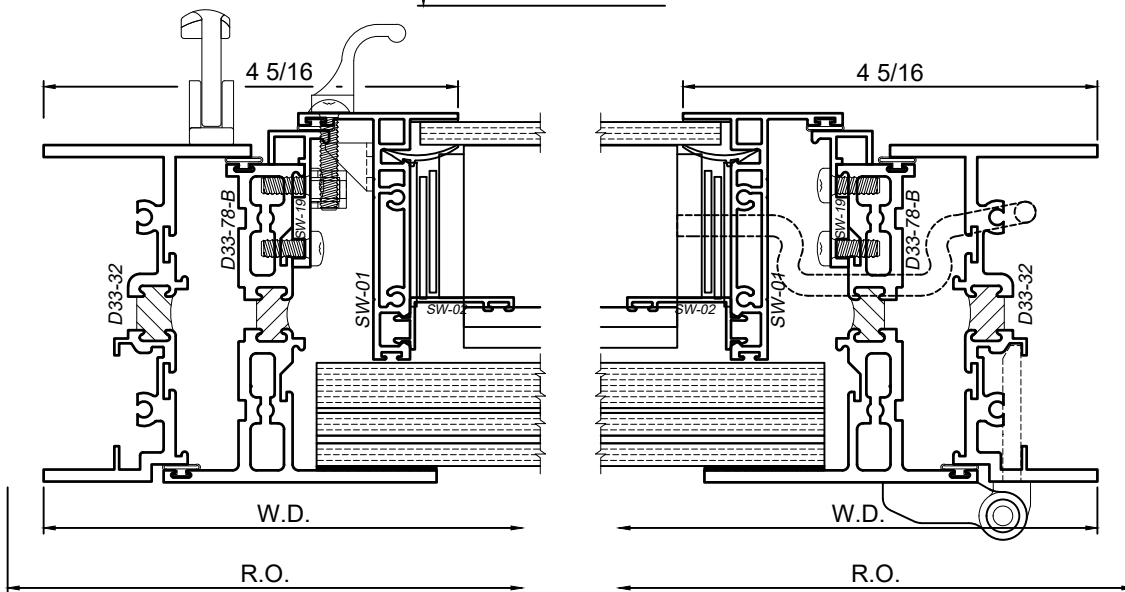
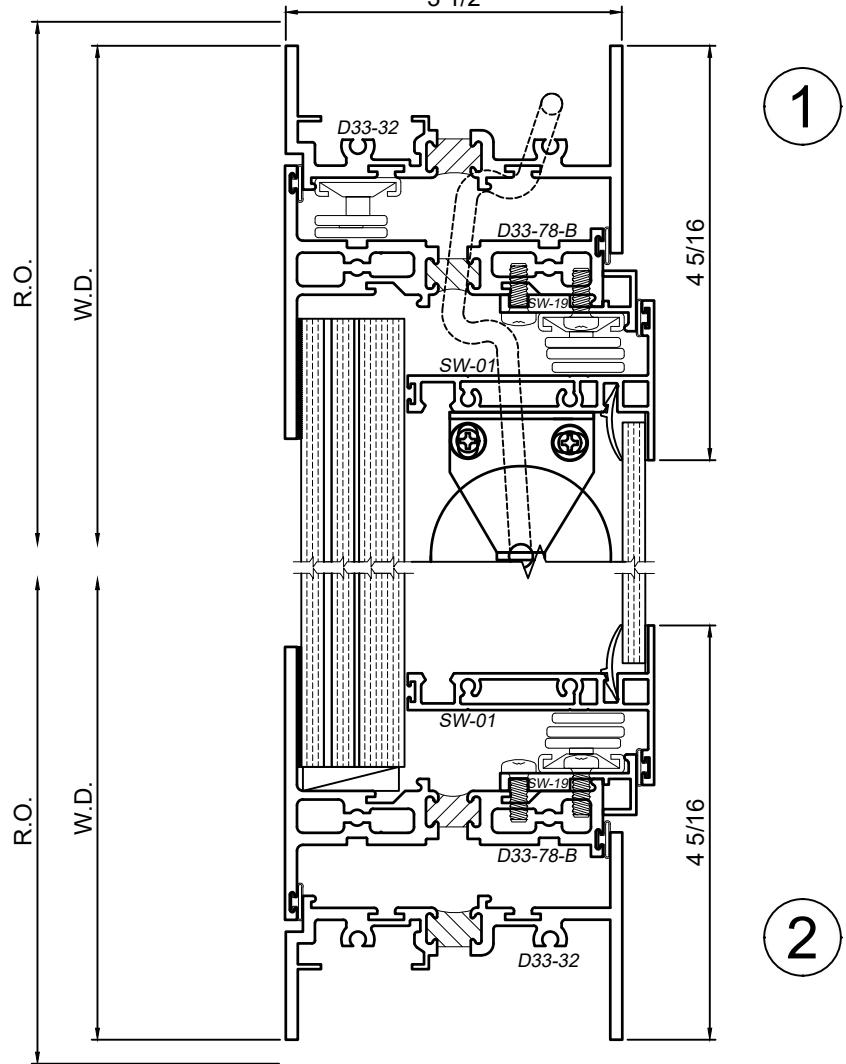


Note: Multiple configurations of this window system are available. Refer to the WINCO website for additional options or contact your local WINCO Sales Representative for information.

WINCO RESERVES THE RIGHT TO MODIFY OR CHANGE INFORMATION WITHIN THIS BOOK WHEN DEEMED NECESSARY FOR PRODUCT IMPROVEMENT



Vent can be configured to meet NFPA 101 requirements for use as Means of Secondary Egress if Minimum size limits are met.



SCALE 6"=1'-0"

3

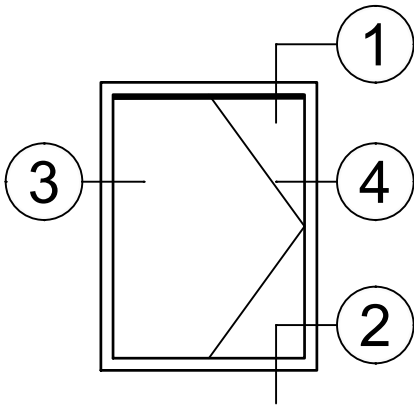
4

Transira™ Accessory Sash w/ Venetian Blinds Accessory Sash Product Details - Accessory Sash in Retro-fit Configuration

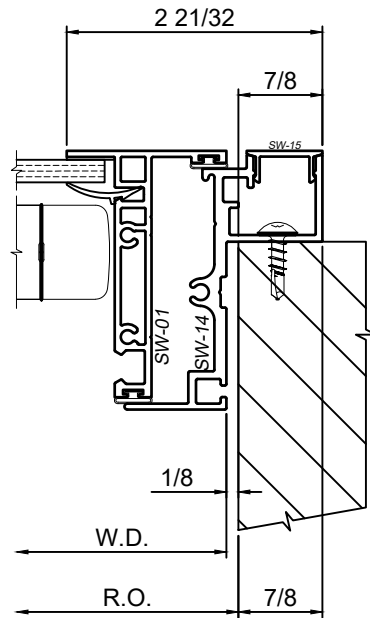
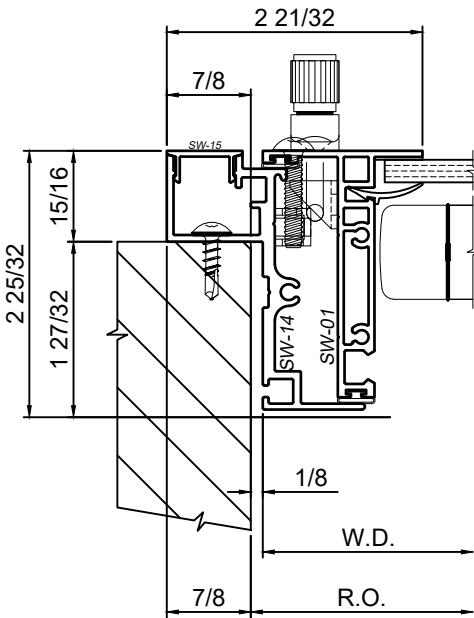
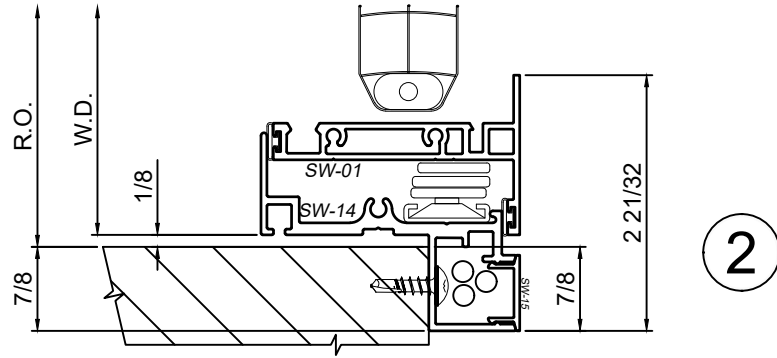
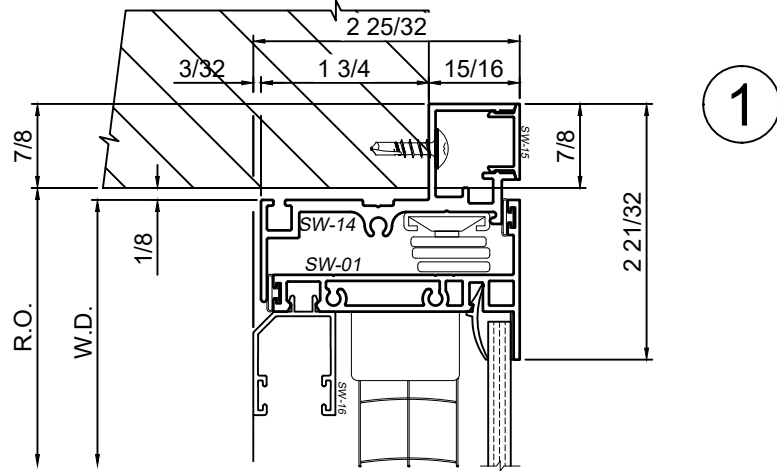


Note: Multiple configurations of this window system are available. Refer to the WINCO website for additional options or contact your local WINCO Sales Representative for information.

WINCO RESERVES THE RIGHT TO MODIFY OR CHANGE INFORMATION WITHIN THIS BOOK WHEN DEEMED NECESSARY FOR PRODUCT IMPROVEMENT



The Retro-fit Configuration is designed to be used in conjunction with new or existing Storefront, Curtain Wall or inboard of existing primary windows. While the accessory sash containing the motorized shade can be opened for maintenance purposes, it is not intended to be opened for ventilation. Shimming not shown in these graphics for clarity of system.



SCALE 6"=1'-0"

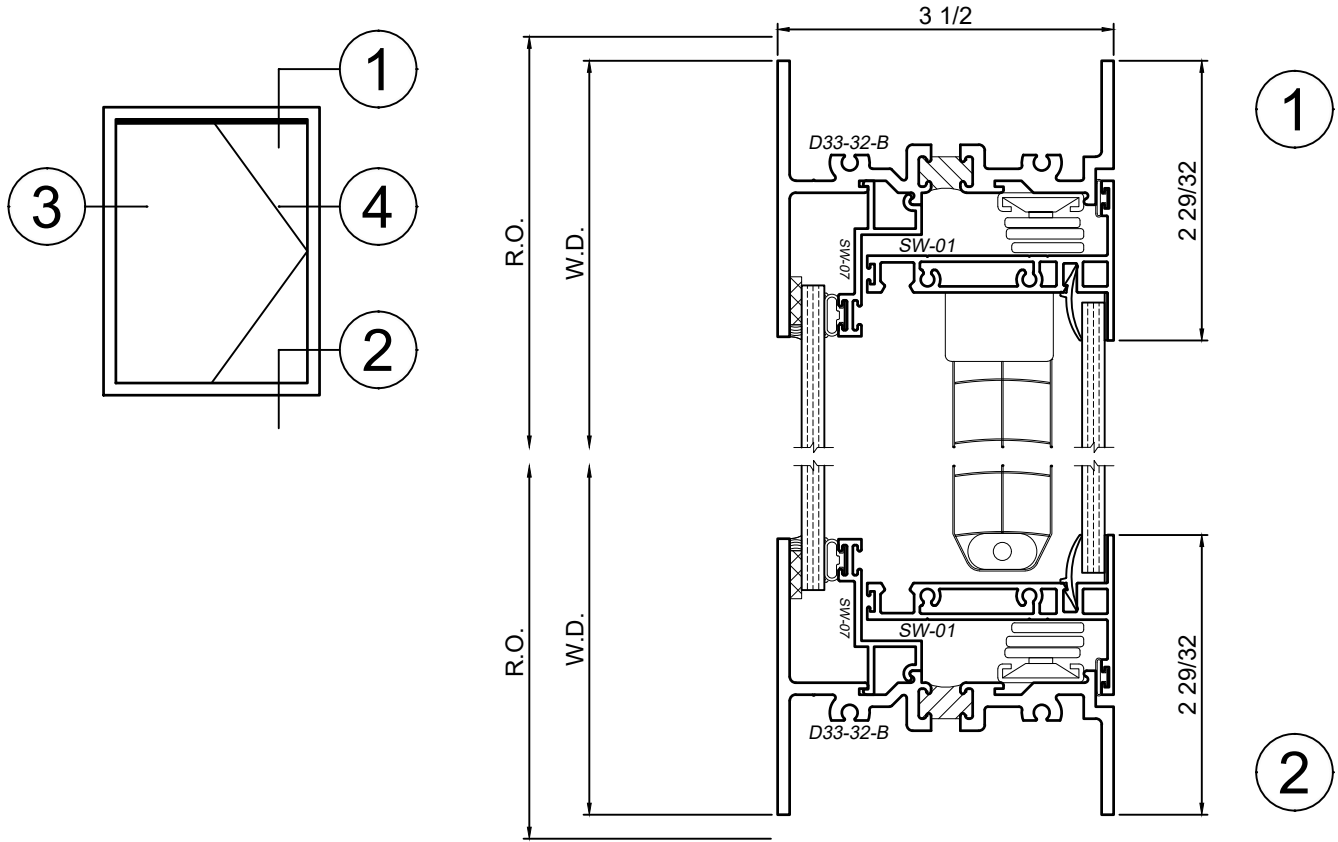
3

4

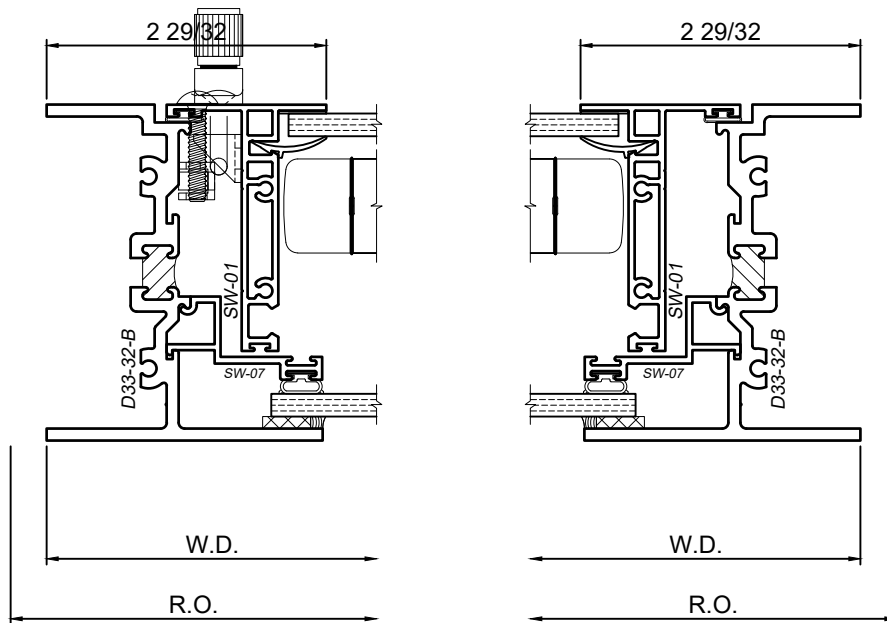
Transira™ Accessory Sash w/ Venetian Blinds in 3350 Frame Product Details - Fixed Configuration



Note: Multiple configurations of this window system are available. Refer to the WINCO website for additional options or contact your local WINCO Sales Representative for information.



WINCO RESERVES THE RIGHT TO MODIFY OR CHANGE INFORMATION WITHIN THIS BOOK WHEN DEEMED NECESSARY FOR PRODUCT IMPROVEMENT



SCALE 6"=1'-0"

3

4

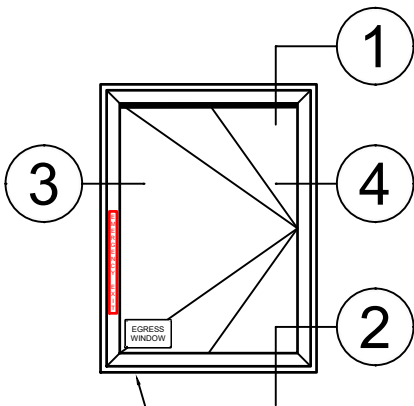
© WINCO WINDOW COMPANY, INC. 2026

Transira™ Accessory Sash w/ Venetian Blinds in 3350 Frame Product Details - Casement Configuration

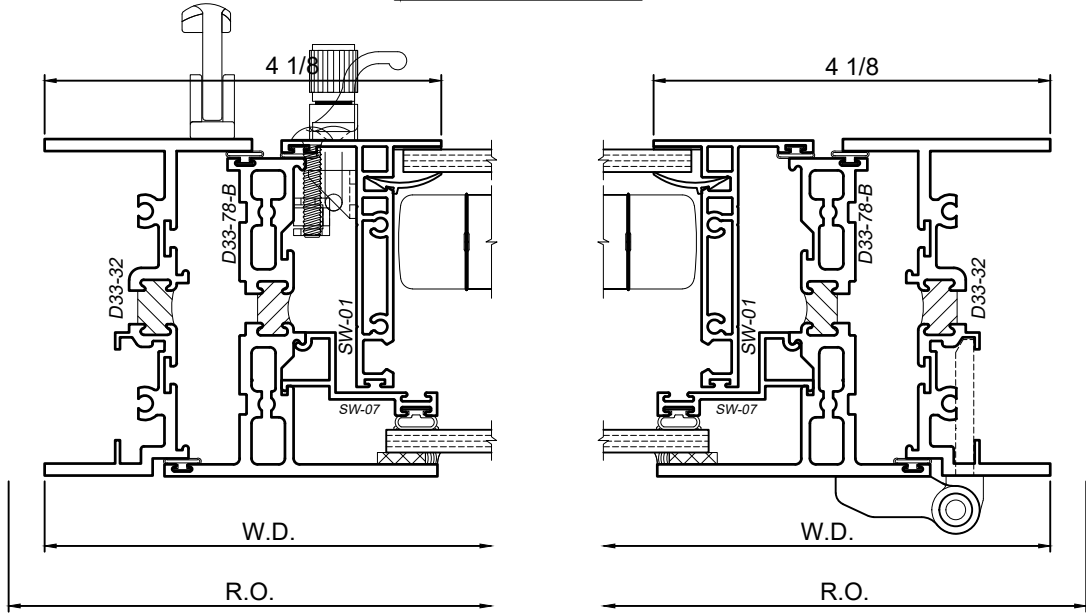
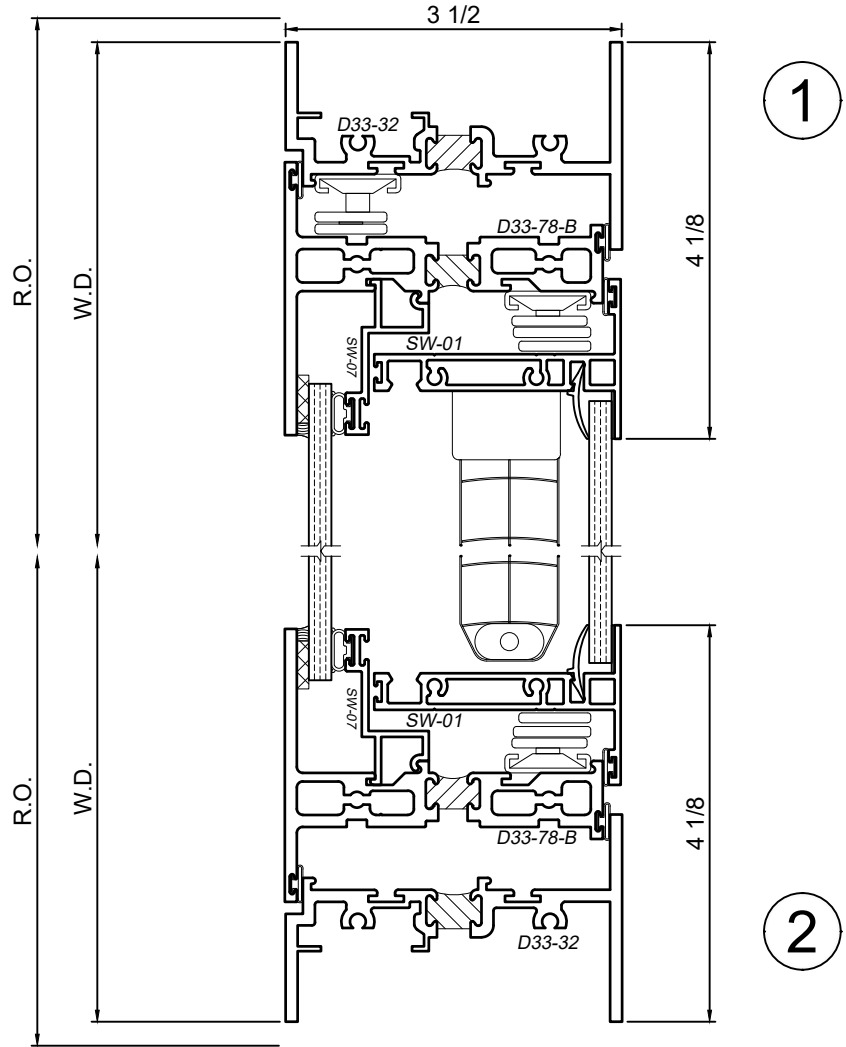


Note: Multiple configurations of this window system are available. Refer to the WINCO website for additional options or contact your local WINCO Sales Representative for information.

WINCO RESERVES THE RIGHT TO MODIFY OR CHANGE INFORMATION WITHIN THIS BOOK WHEN DEEMED NECESSARY FOR PRODUCT IMPROVEMENT



Vent can be configured to meet NFPA 101 requirements for use as Means of Secondary Egress if Minimum size limits are met.



3

4

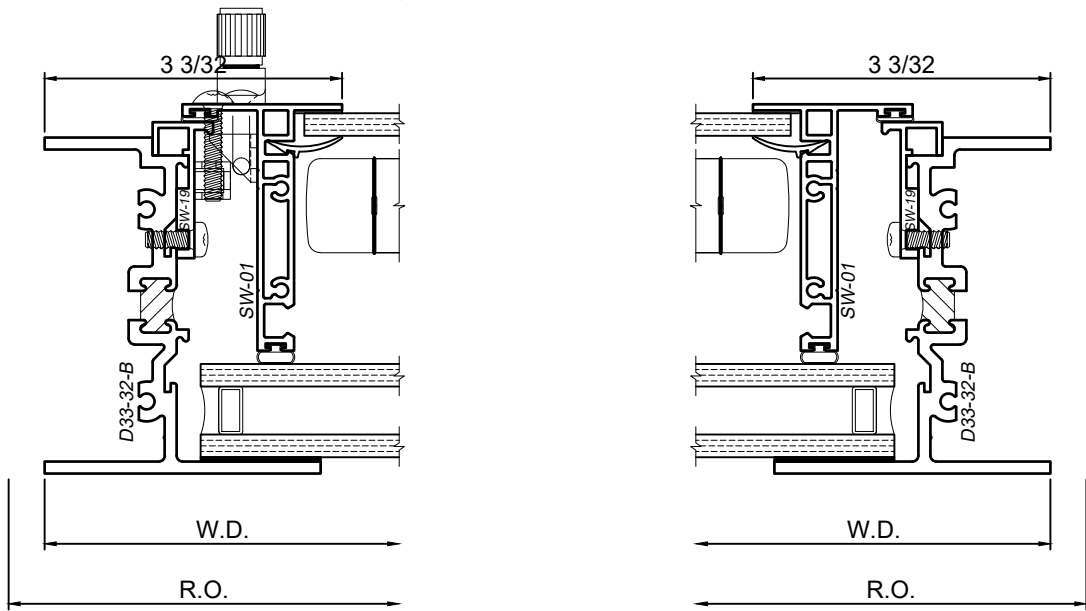
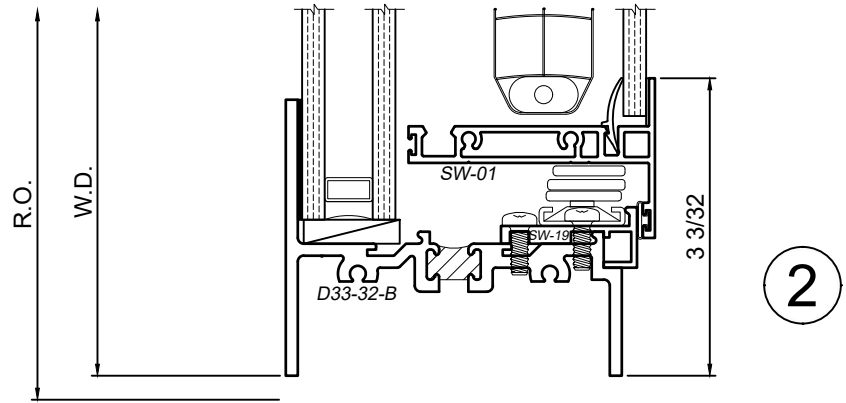
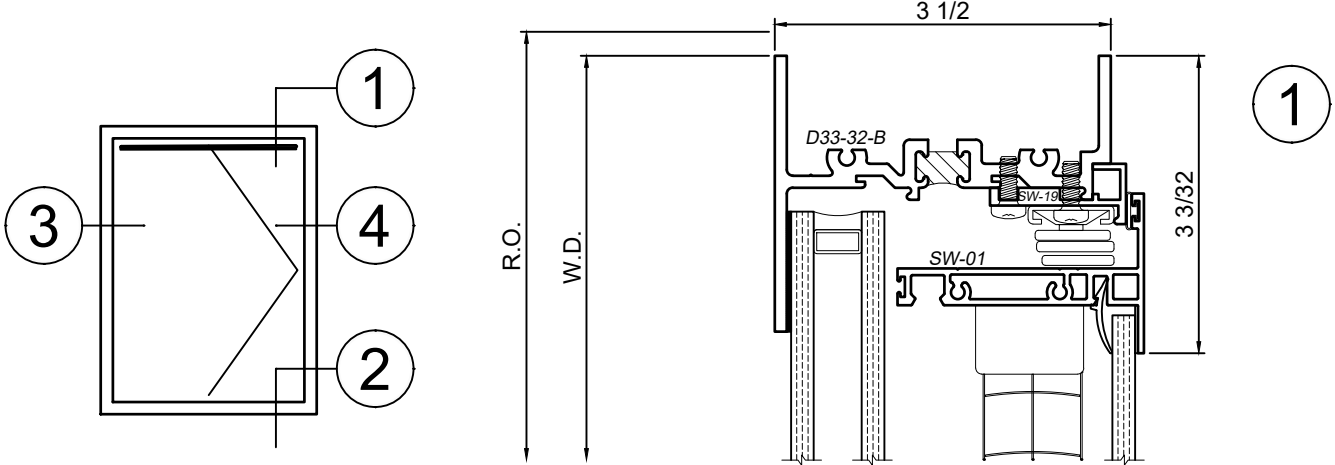
SCALE 6"=1'-0"

Transira™ Accessory Sash w/ Venetian Blinds in 3350 Frame Product Details - Fixed Configuration w/ 1" Insulated Glazing



Note: Multiple configurations of this window system are available. Refer to the WINCO website for additional options or contact your local WINCO Sales Representative for information.

WINCO RESERVES THE RIGHT TO MODIFY OR CHANGE INFORMATION WITHIN THIS BOOK WHEN DEEMED NECESSARY FOR PRODUCT IMPROVEMENT



3

4

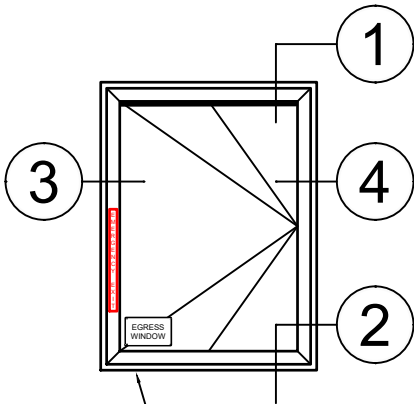
SCALE 6"=1'-0"

Transira™ Accessory Sash w/ Venetian Blinds in 3350 Frame Product Details - Casement Configuration w/ 1" Insulated Glazing

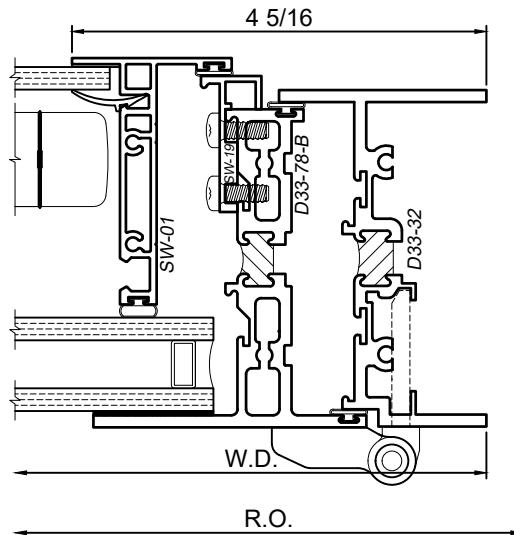
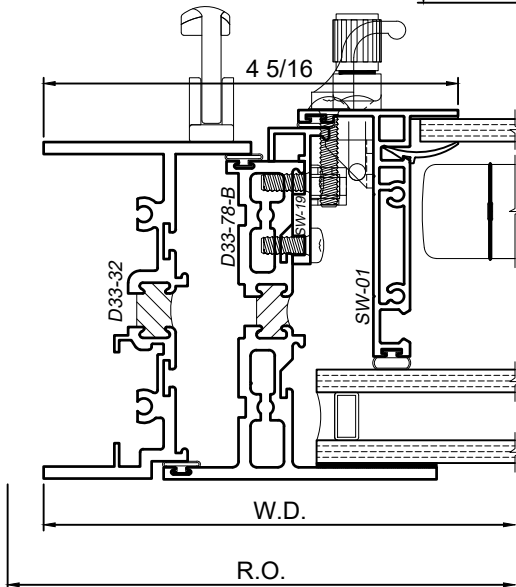
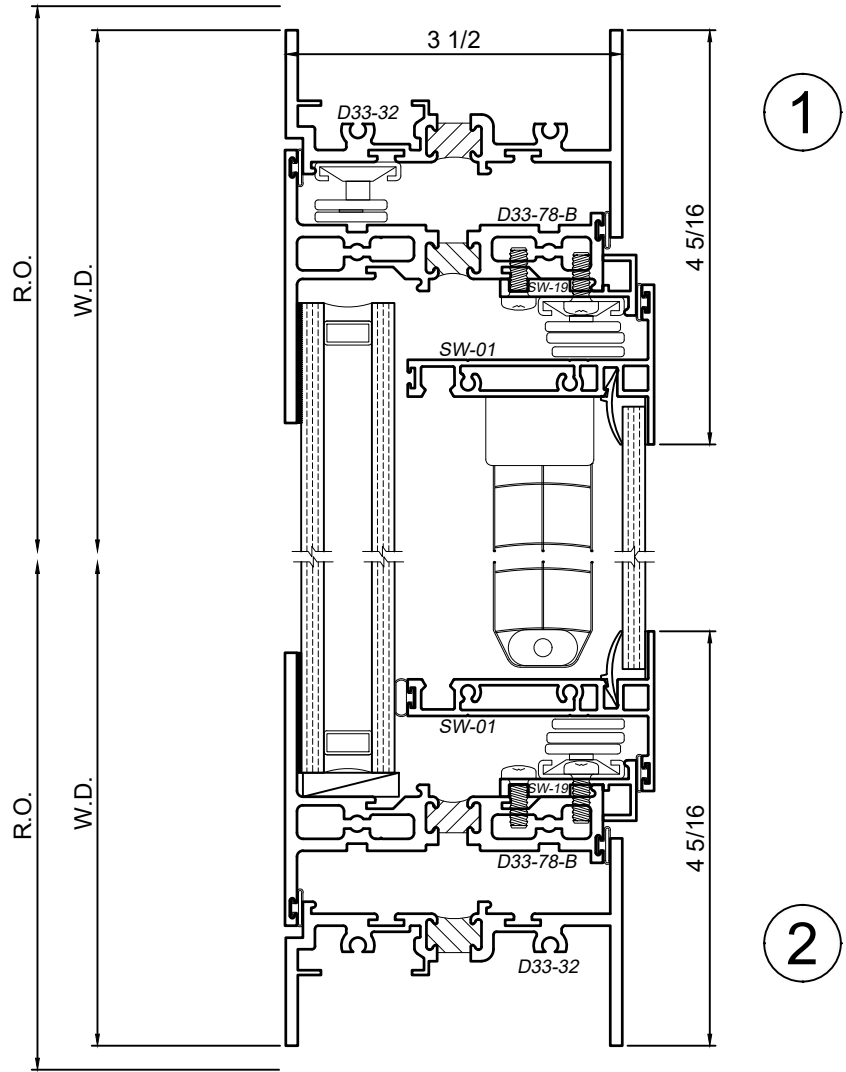


Note: Multiple configurations of this window system are available. Refer to the WINCO website for additional options or contact your local WINCO Sales Representative for information.

WINCO RESERVES THE RIGHT TO MODIFY OR CHANGE INFORMATION WITHIN THIS BOOK WHEN DEEMED NECESSARY FOR PRODUCT IMPROVEMENT



Vent can be configured to meet NFPA 101 requirements for use as Means of Secondary Egress if Minimum size limits are met.



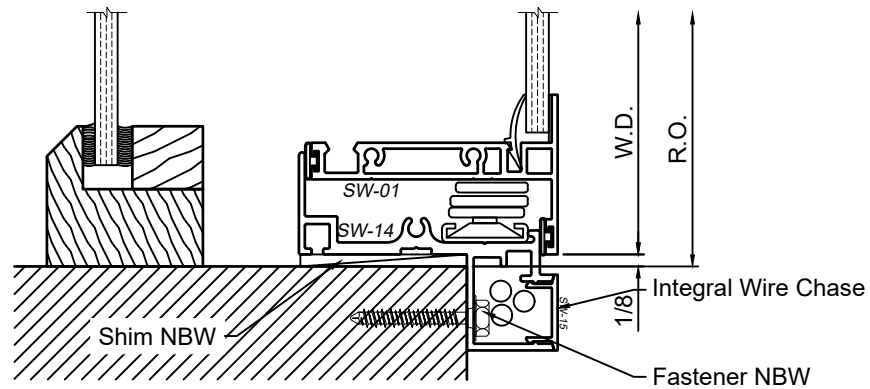
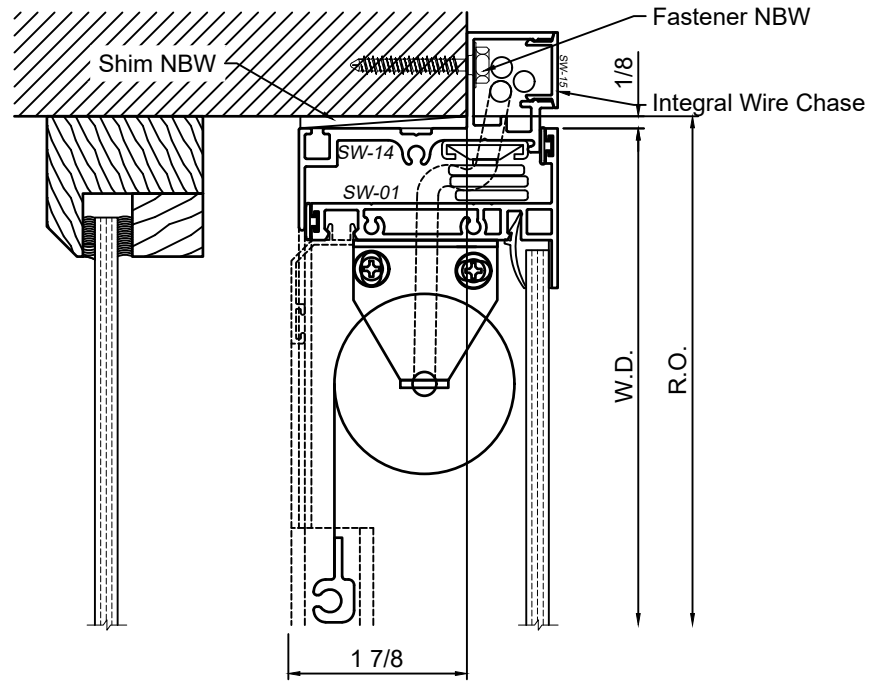
© WINCO WINDOW COMPANY, INC. 2026

SCALE 6"=1'-0"

Transira™ Motorized Shade Accessory Sash Product Details - Trim - Retro-fit Option w/ Existing Window



WINCO RESERVES THE RIGHT TO MODIFY OR CHANGE INFORMATION WITHIN THIS BOOK WHEN DEEMED NECESSARY FOR PRODUCT IMPROVEMENT



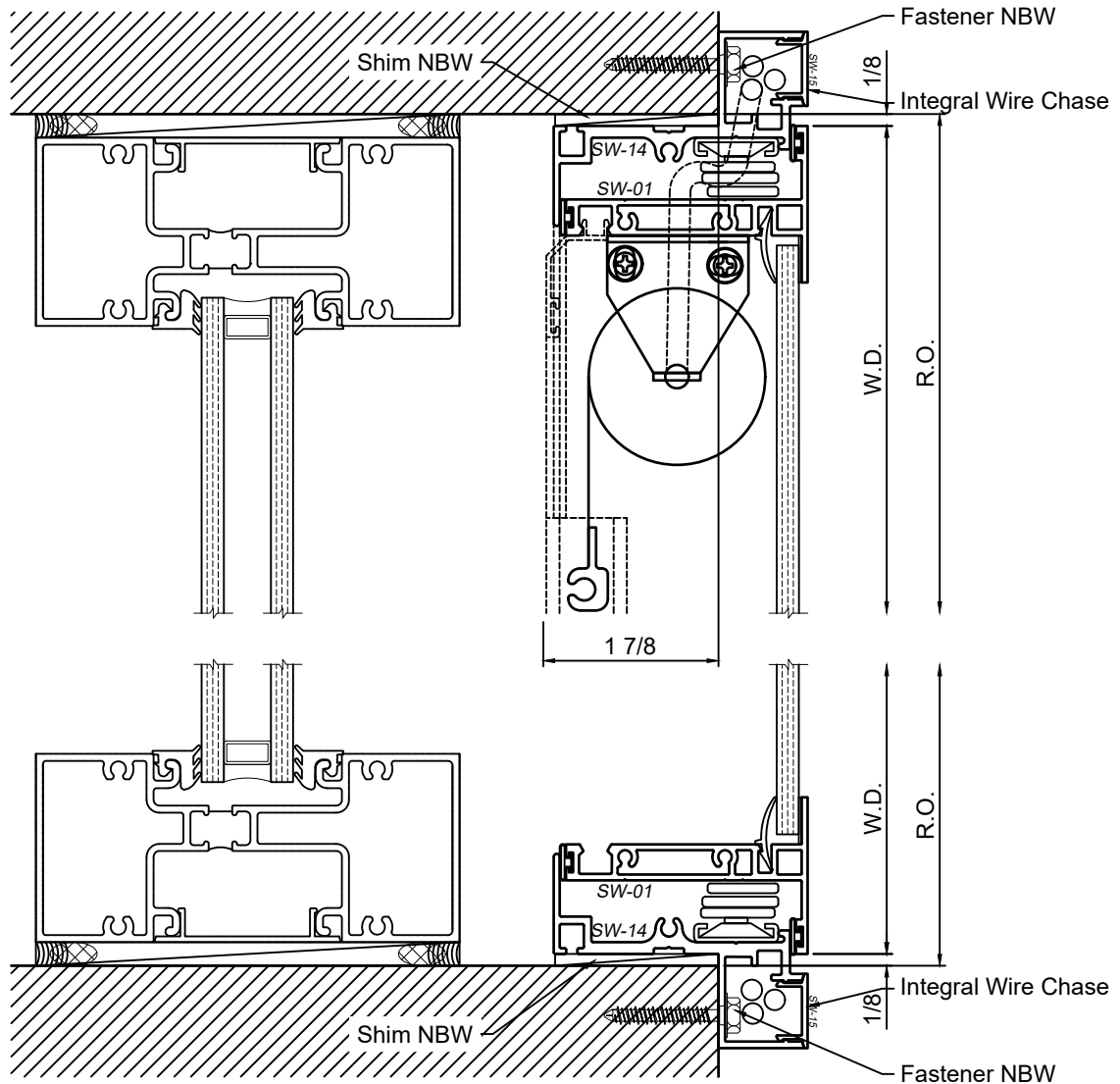
© WINCO WINDOW COMPANY, INC. 2026

SCALE 6"=1'-0"

Transira™ Motorized Shade Accessory Sash Product Details - Trim - Retro-fit Option w/ S.F. or C.W.



WINCO RESERVES THE RIGHT TO MODIFY OR CHANGE INFORMATION WITHIN THIS BOOK WHEN DEEMED NECESSARY FOR PRODUCT IMPROVEMENT



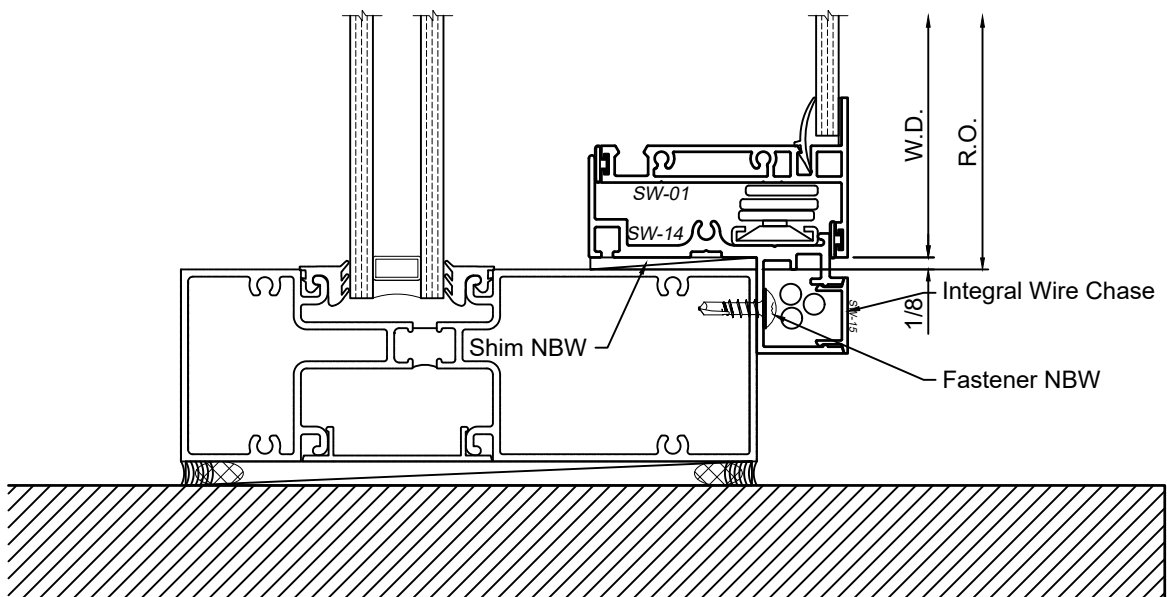
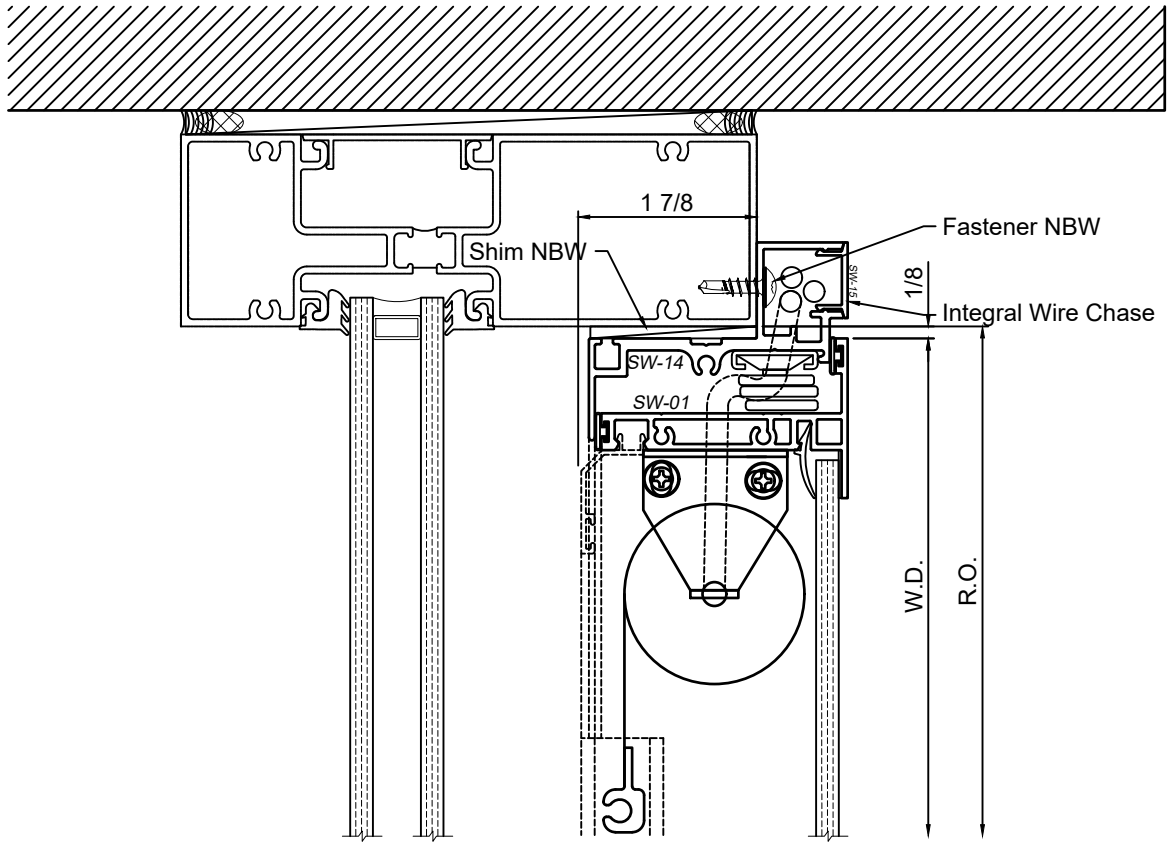
© WINCO WINDOW COMPANY, INC. 2026

SCALE 6"=1'-0"

Transira™ Motorized Shade Accessory Sash Product Details - Trim - Retro-fit Option within S.F. or C.W.



WINCO RESERVES THE RIGHT TO MODIFY OR CHANGE INFORMATION WITHIN THIS BOOK WHEN DEEMED NECESSARY FOR PRODUCT IMPROVEMENT



© WINCO WINDOW COMPANY, INC. 2026

SCALE 6"=1'-0"

Transira™ Motorized Shade Accessory Sash

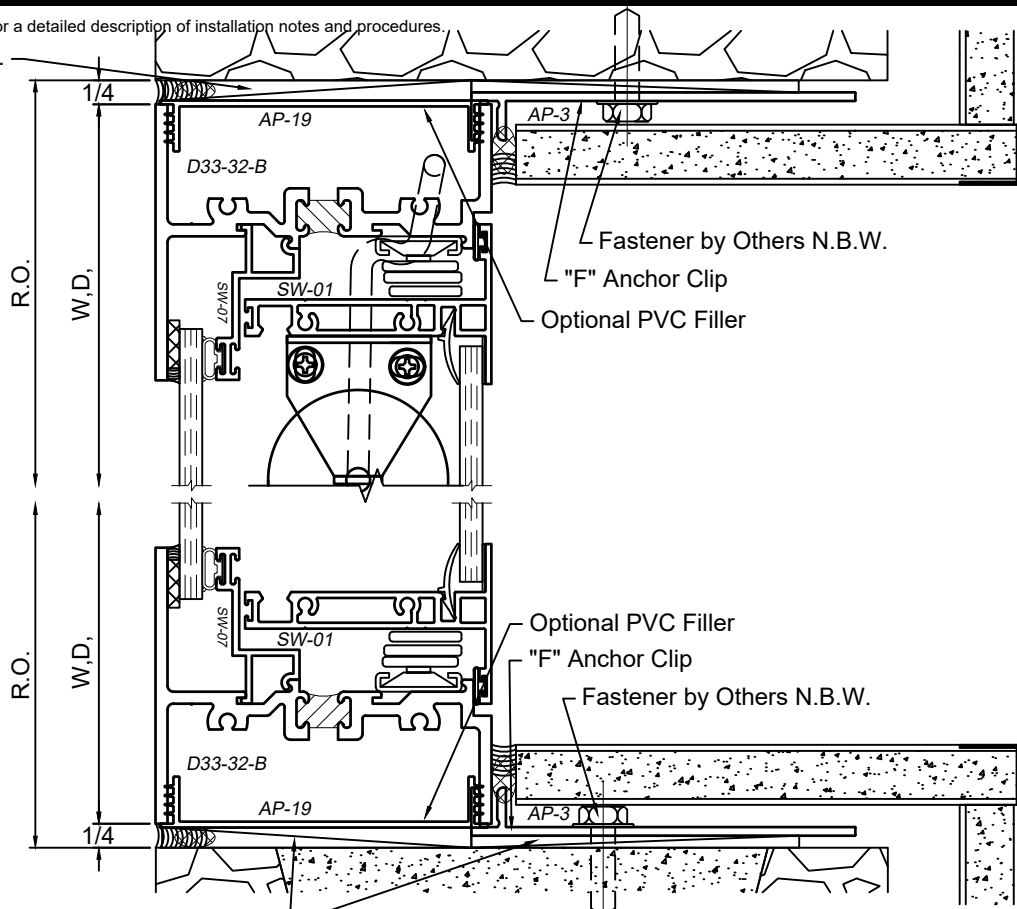
Product Details - Trim - F-Anchor and Snap Trim Installation



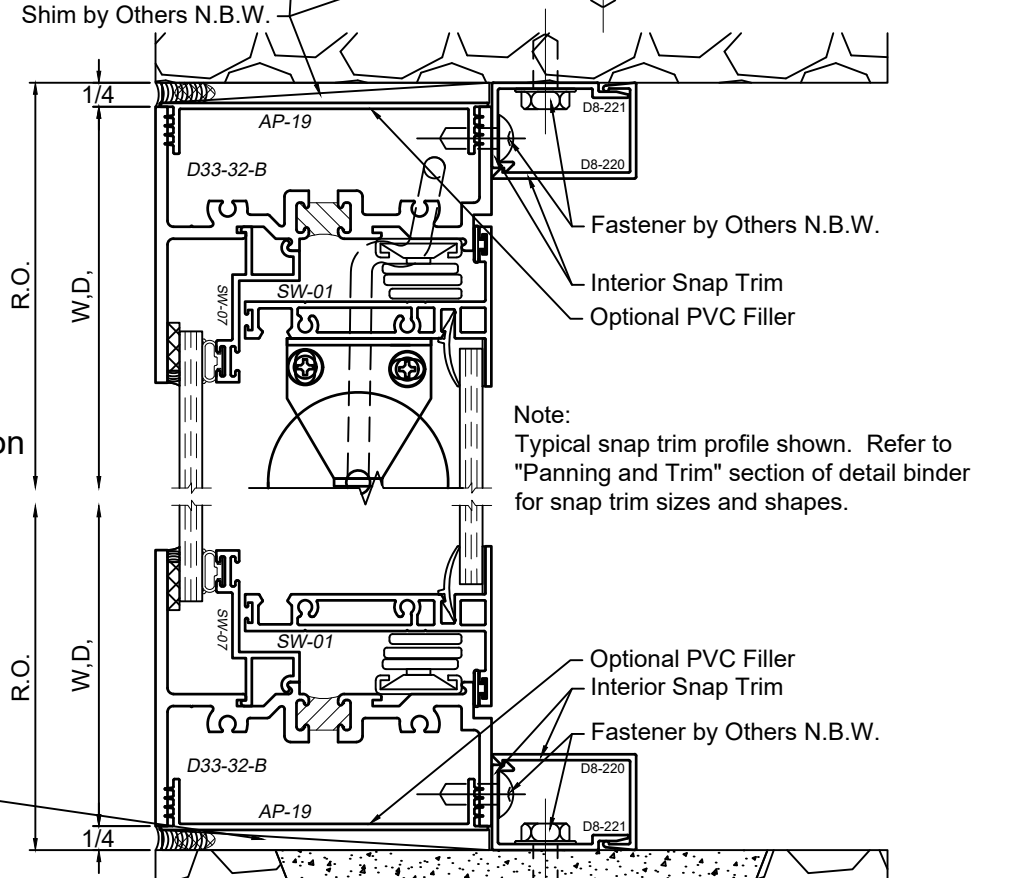
Note: See Winco Installation Instructions for a detailed description of installation notes and procedures.

WINCO RESERVES THE RIGHT TO MODIFY OR CHANGE INFORMATION WITHIN THIS BOOK WHEN DEEMED NECESSARY FOR PRODUCT IMPROVEMENT

"F" Clip Installation



Snap Trim Installation



Note:
Typical snap trim profile shown. Refer to "Panning and Trim" section of detail binder for snap trim sizes and shapes.

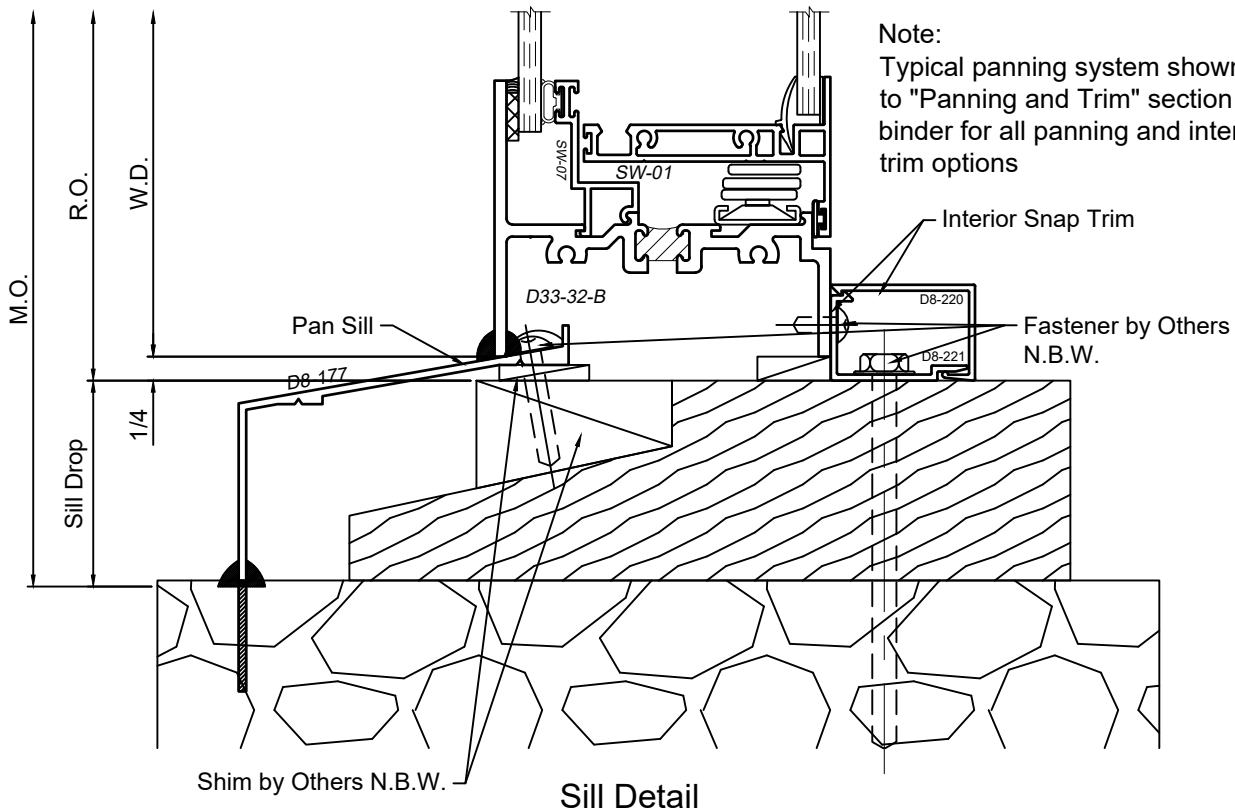
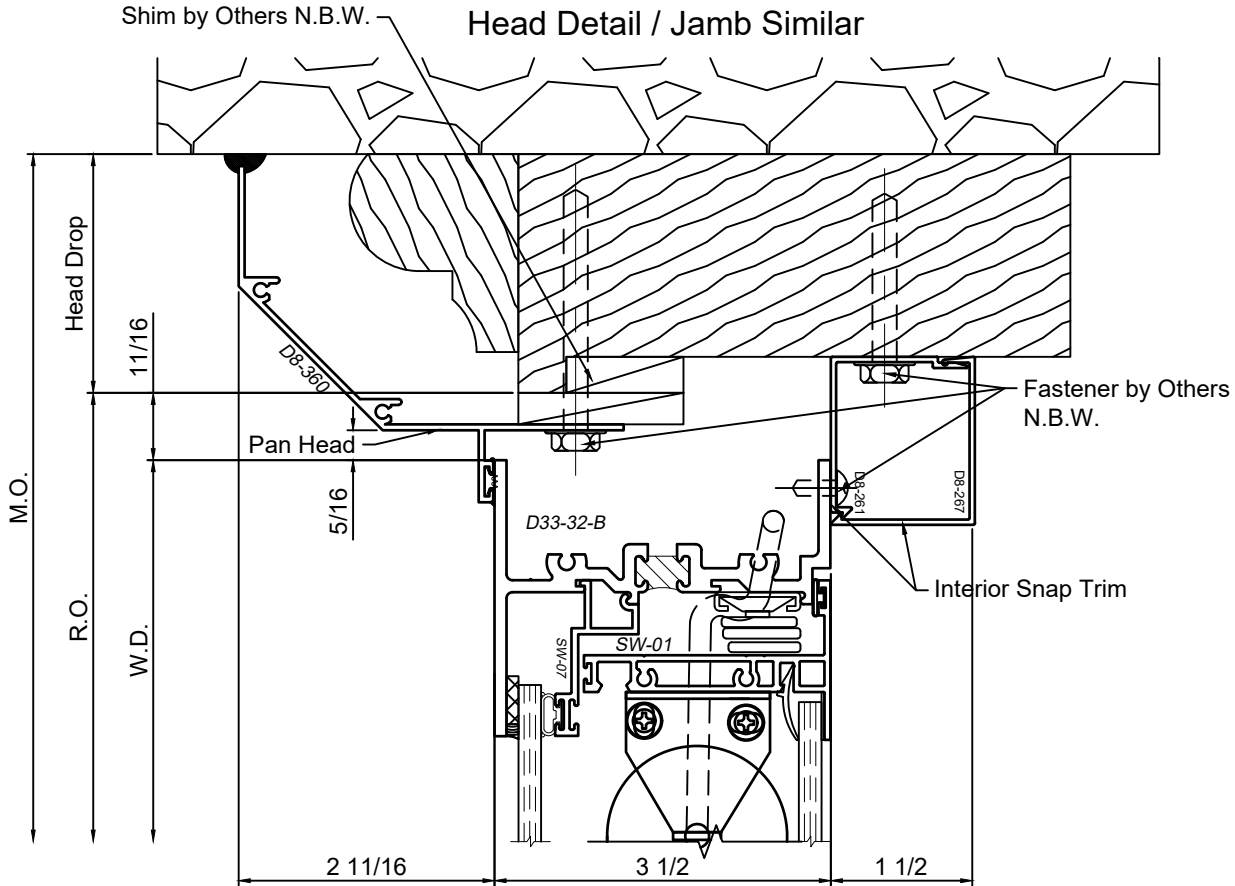
SCALE 6"=1'-0"

© WINCO WINDOW COMPANY, INC. 2026

Transira™ Motorized Shade Accessory Sash Product Details - Trim - Panning Installation



WINCO RESERVES THE RIGHT TO MODIFY OR CHANGE INFORMATION WITHIN THIS BOOK WHEN DEEMED NECESSARY FOR PRODUCT IMPROVEMENT

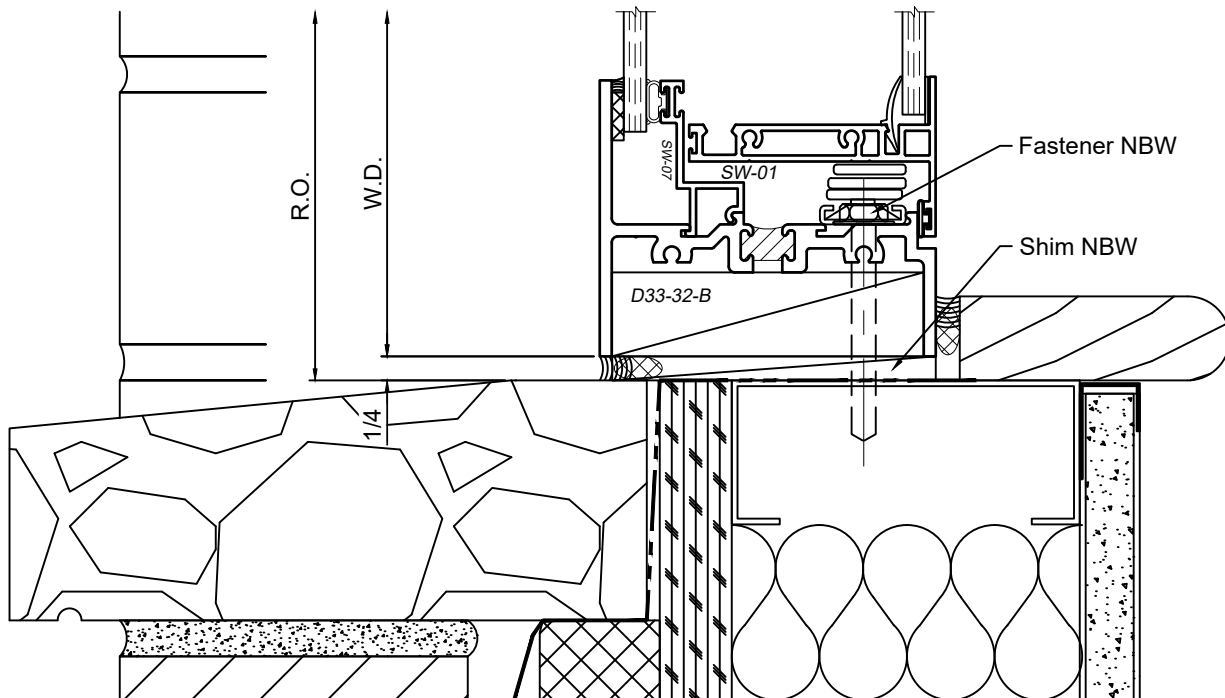
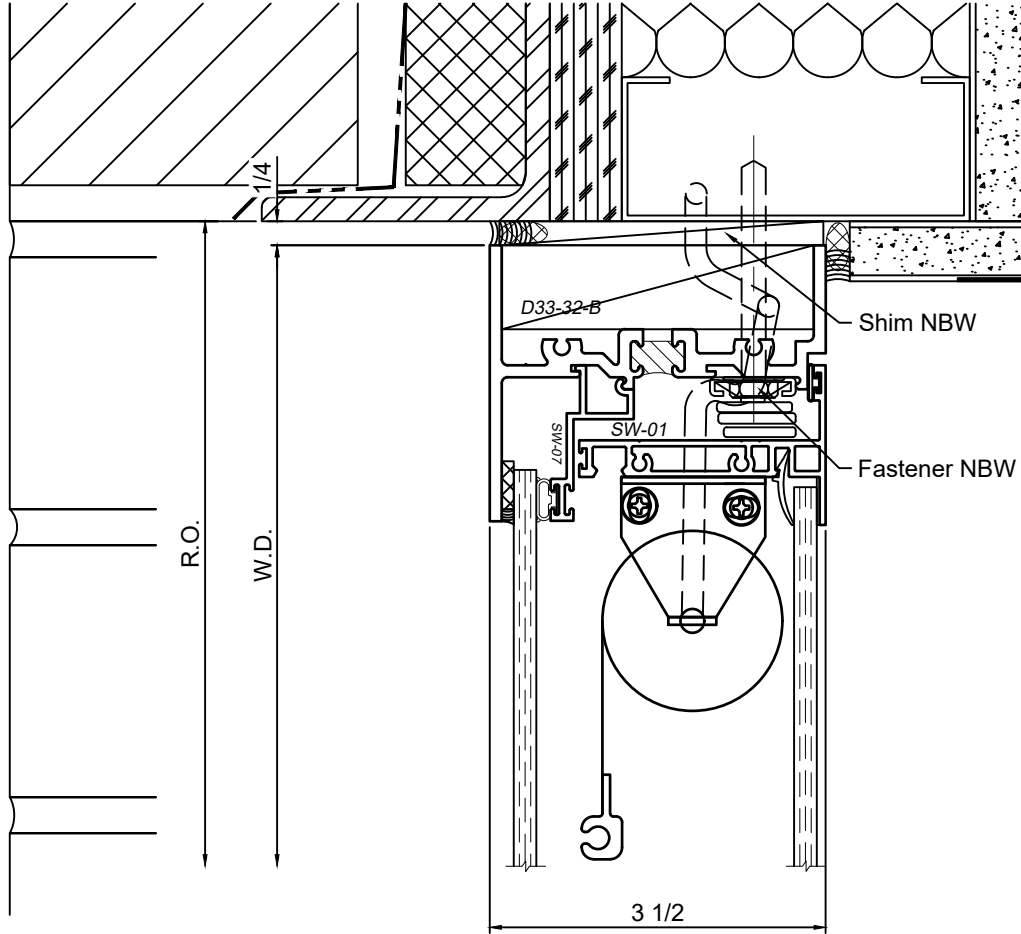


SCALE 6"=1'-0"

Transira™ Motorized Shade Accessory Sash Product Details - Stand-alone Window Installation w/out Trim



WINCO RESERVES THE RIGHT TO MODIFY OR CHANGE INFORMATION WITHIN THIS BOOK WHEN DEEMED NECESSARY FOR PRODUCT IMPROVEMENT



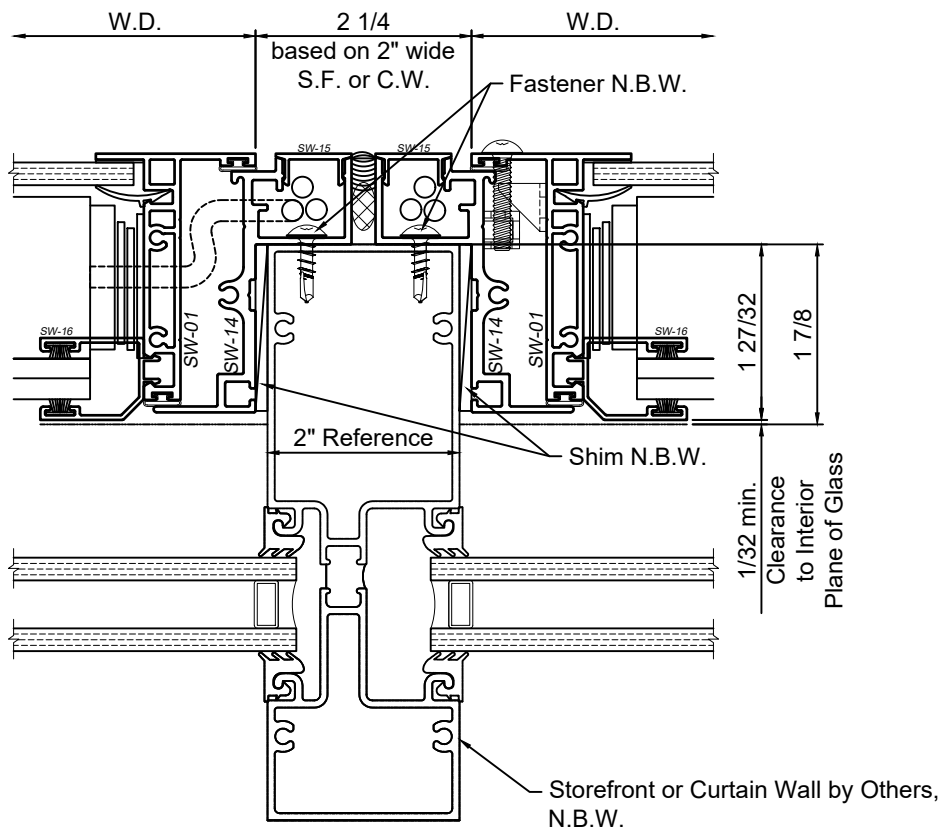
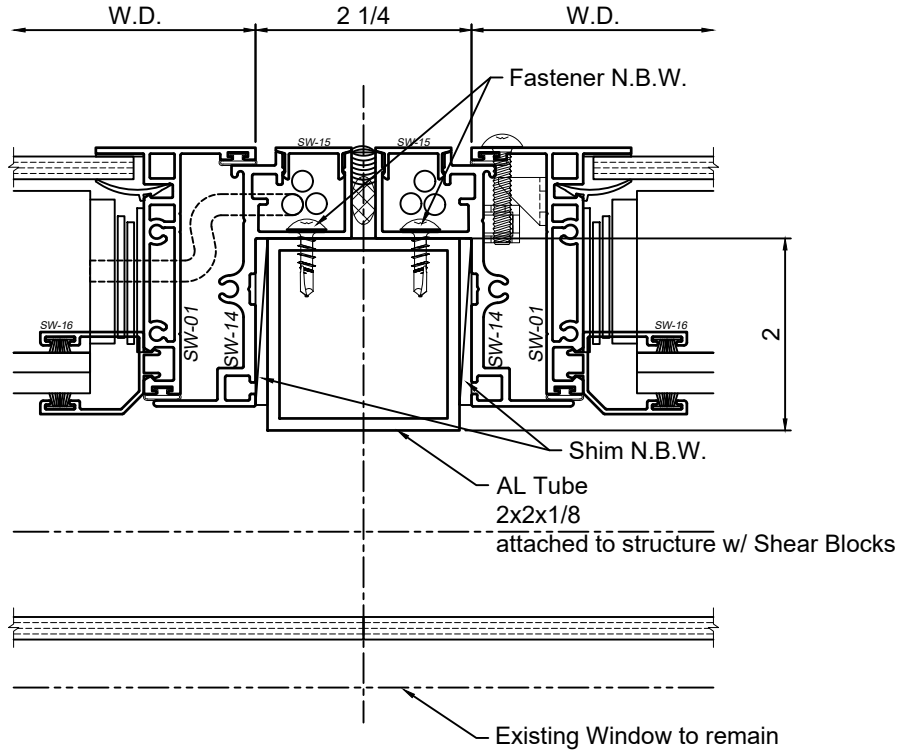
© WINCO WINDOW COMPANY, INC. 2026

SCALE 6"=1'-0"

Transira™ Motorized Shade Accessory Sash Product Details - Trim - Retro-fit Option Side by Side



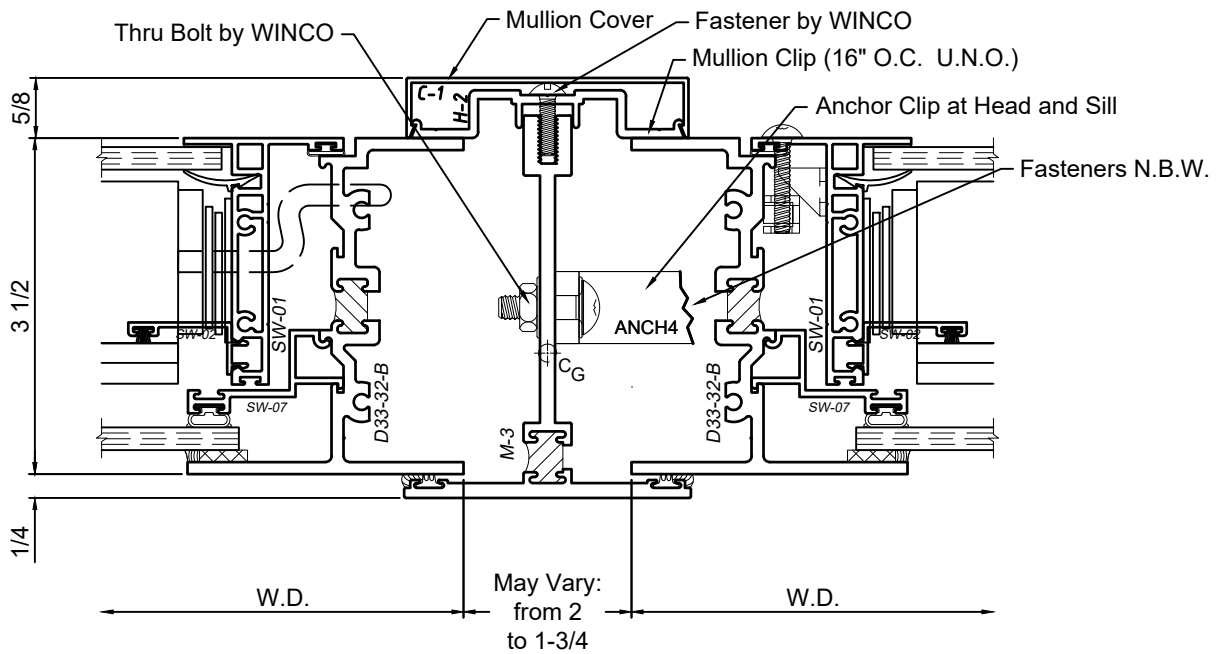
WINCO RESERVES THE RIGHT TO MODIFY OR CHANGE INFORMATION WITHIN THIS BOOK WHEN DEEMED NECESSARY FOR PRODUCT IMPROVEMENT



© WINCO WINDOW COMPANY, INC. 2026

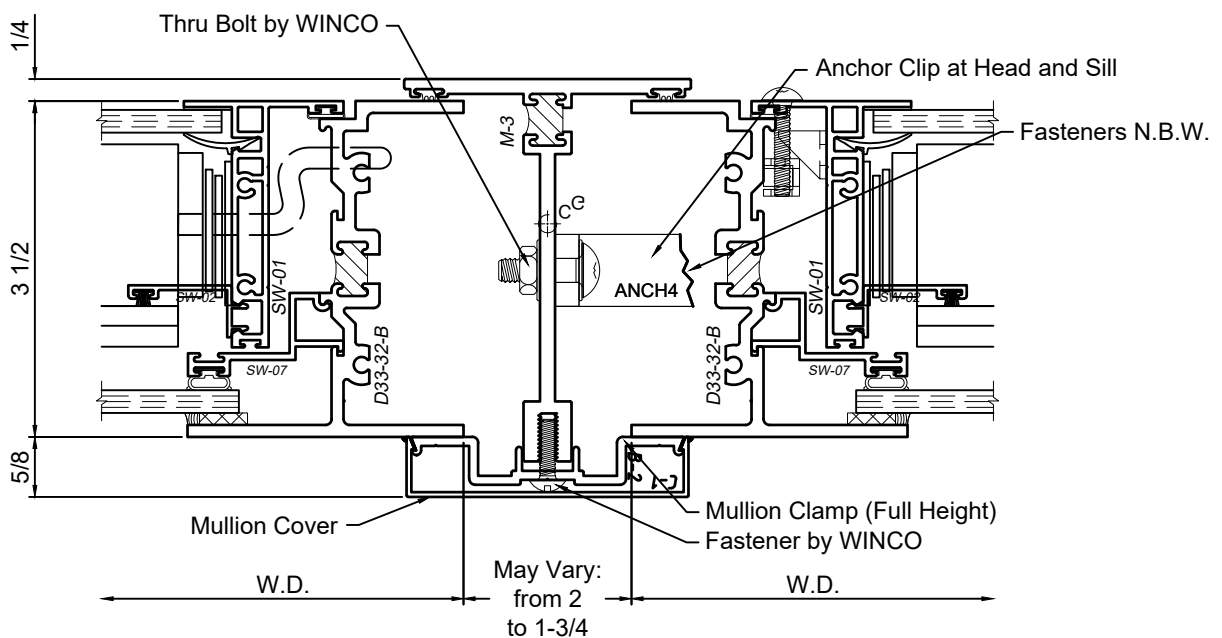
SCALE 6"=1'-0"

M-3 Mullion set from Building Interior



WINCO RESERVES THE RIGHT TO MODIFY OR CHANGE INFORMATION WITHIN THIS BOOK WHEN DEEMED NECESSARY FOR PRODUCT IMPROVEMENT

M-3 Mullion set from Building Exterior



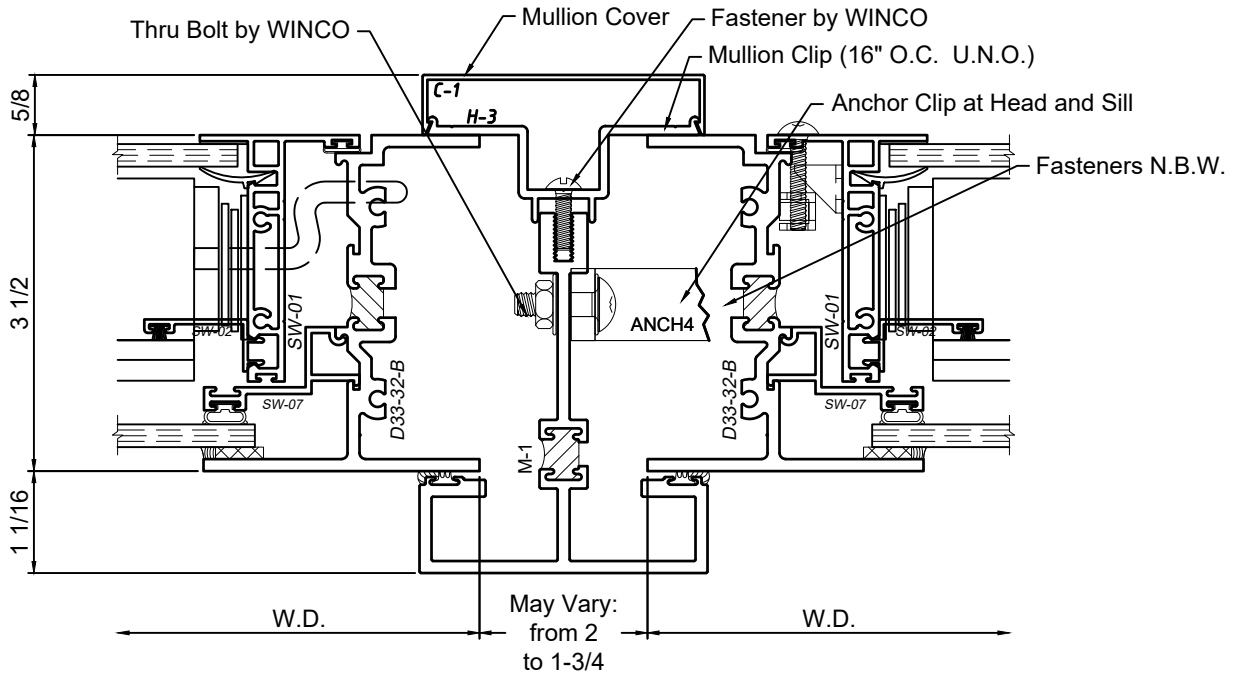
© WINCO WINDOW COMPANY, INC. 2026

SCALE 6"=1'-0"

Transira™ Motorized Shade Accessory Sash Product Details - Trim - M-1 Semi Tube Mullion

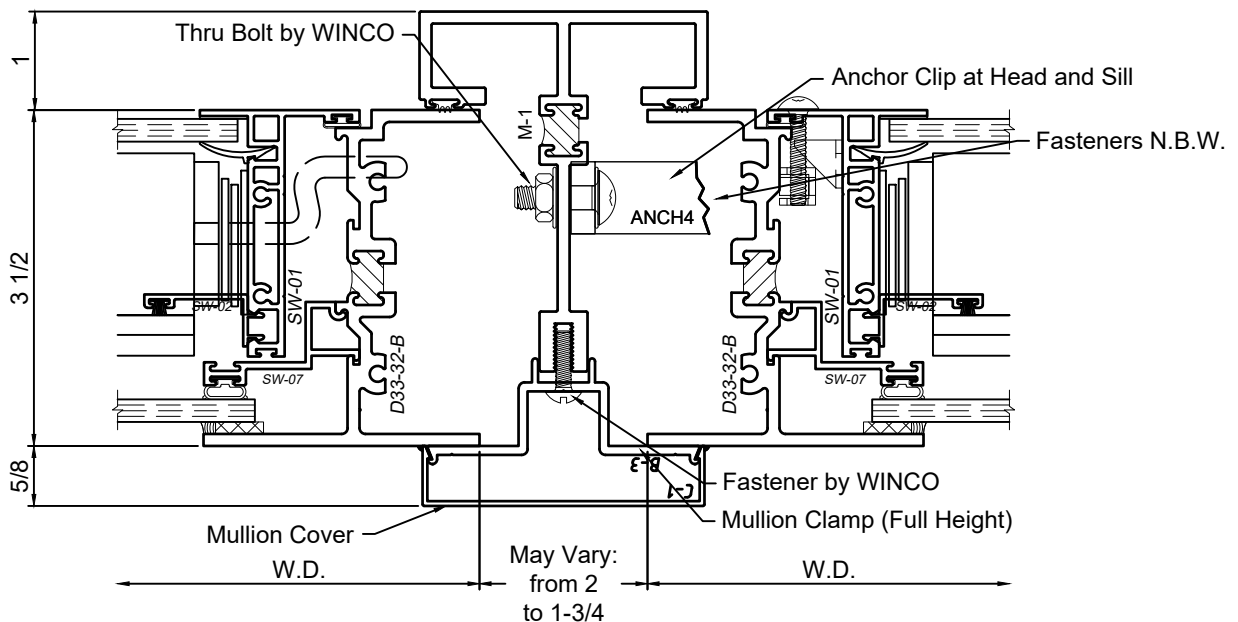


M-1 Mullion set from Building Interior



WINCO RESERVES THE RIGHT TO MODIFY OR CHANGE INFORMATION WITHIN THIS BOOK WHEN DEEMED NECESSARY FOR PRODUCT IMPROVEMENT

M-1 Mullion set from Building Exterior



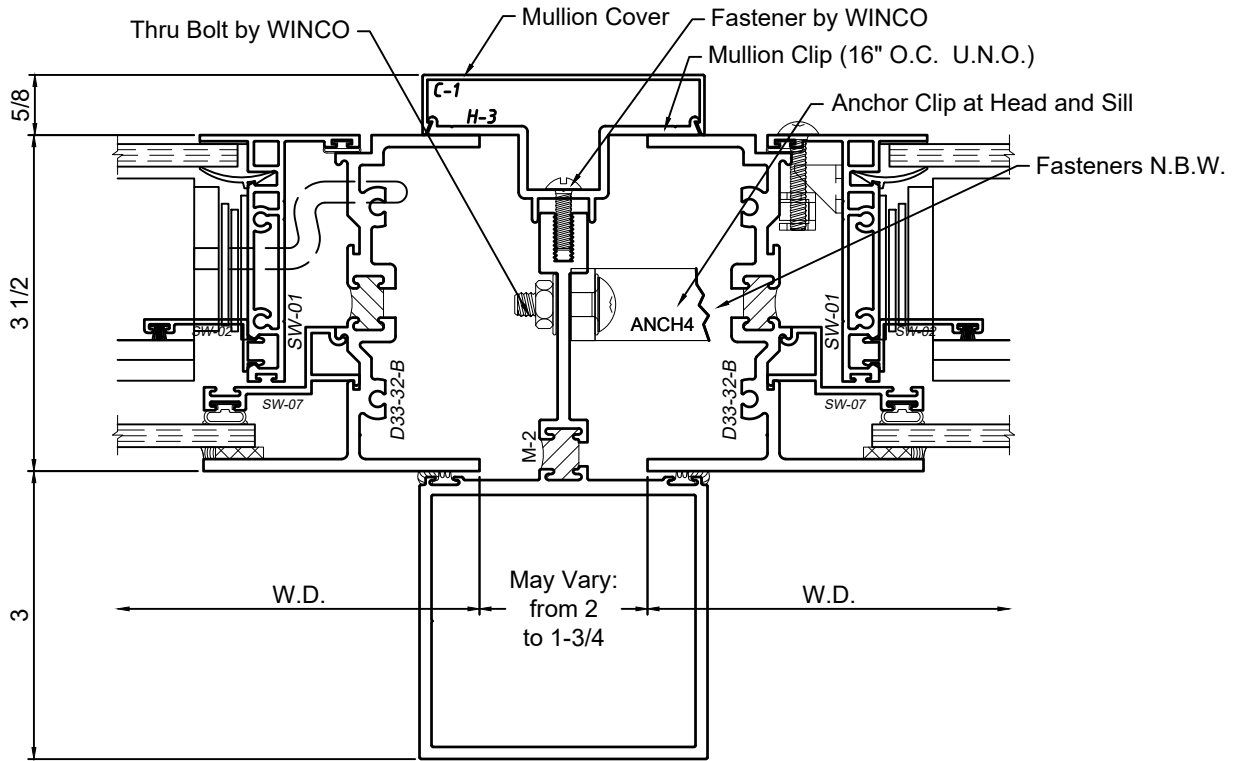
© WINCO WINDOW COMPANY, INC. 2026

SCALE 6"=1'-0"

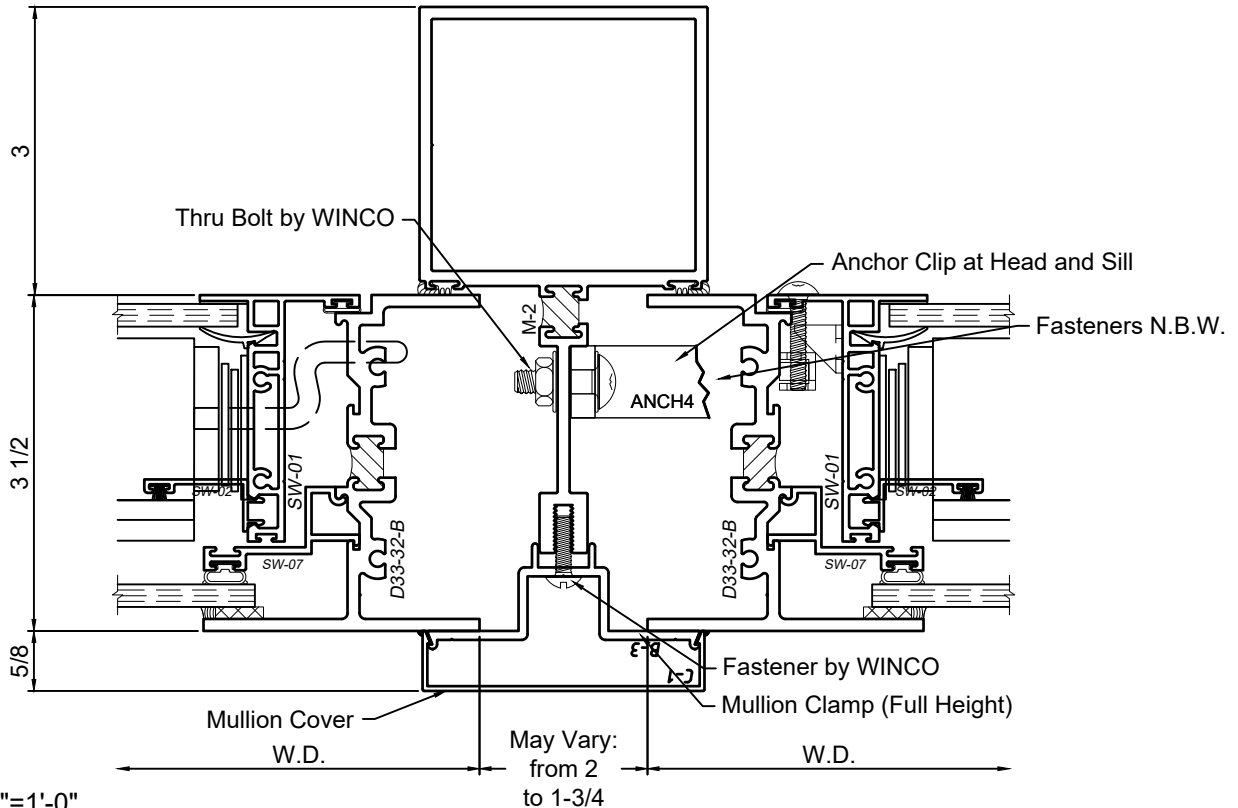
Transira™ Motorized Shade Accessory Sash Product Details - Trim - M-2 Tube Mullion



M-2 Mullion set from Building Interior



M-2 Mullion set from Building Exterior



SCALE 6"=1'-0"

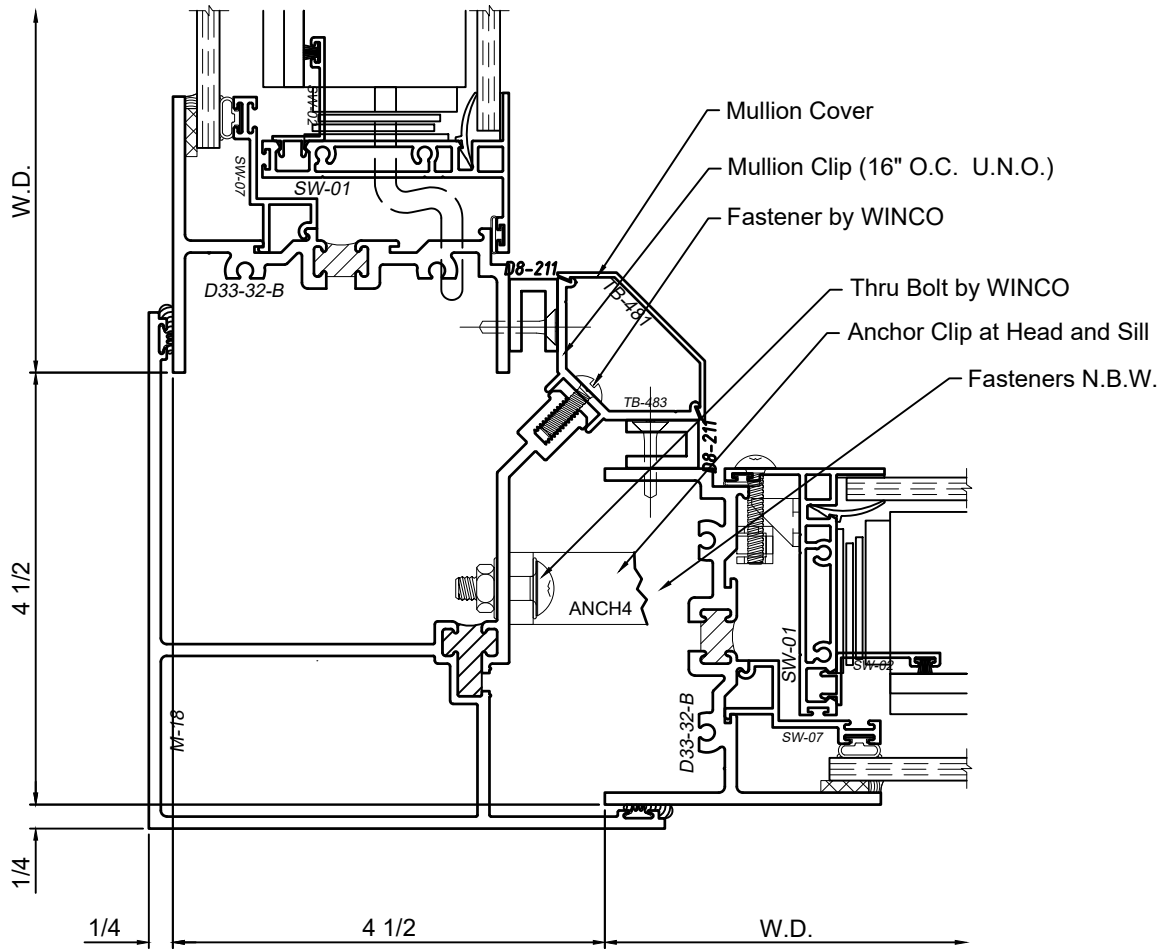
WINCO RESERVES THE RIGHT TO MODIFY OR CHANGE INFORMATION WITHIN THIS BOOK WHEN DEEMED NECESSARY FOR PRODUCT IMPROVEMENT

© WINCO WINDOW COMPANY, INC. 2026

Transira™ Motorized Shade Accessory Sash Product Details - Trim - M-18 90° Corner Mullion



WINCO RESERVES THE RIGHT TO MODIFY OR CHANGE INFORMATION WITHIN THIS BOOK WHEN DEEMED NECESSARY FOR PRODUCT IMPROVEMENT



© WINCO WINDOW COMPANY, INC. 2026

SCALE 6"=1'-0"

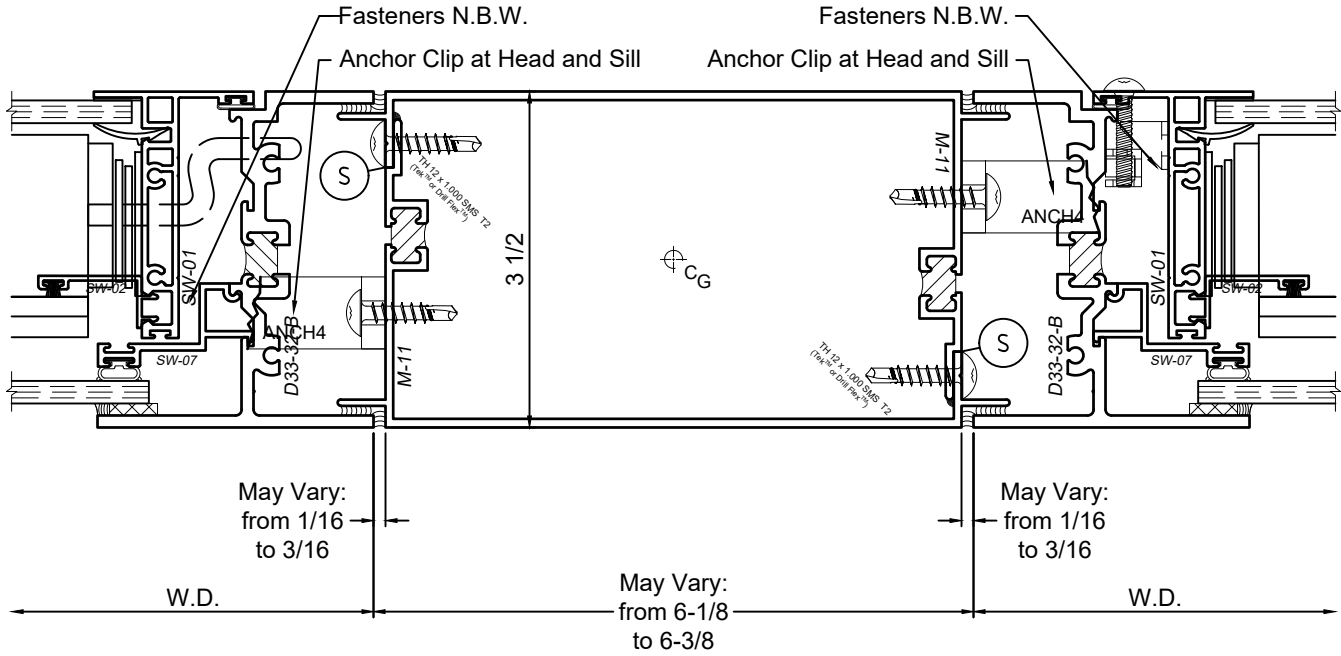
Transira™ Motorized Shade Accessory Sash Product Details - Trim - Special Box Mullion



M-11 Mullion

Recommended usage only with Jamb Receptor for required installation clearances

WINCO RESERVES THE RIGHT TO MODIFY OR CHANGE INFORMATION WITHIN THIS BOOK WHEN DEEMED NECESSARY FOR PRODUCT IMPROVEMENT



© WINCO WINDOW COMPANY, INC. 2026

SCALE 6"=1'-0"